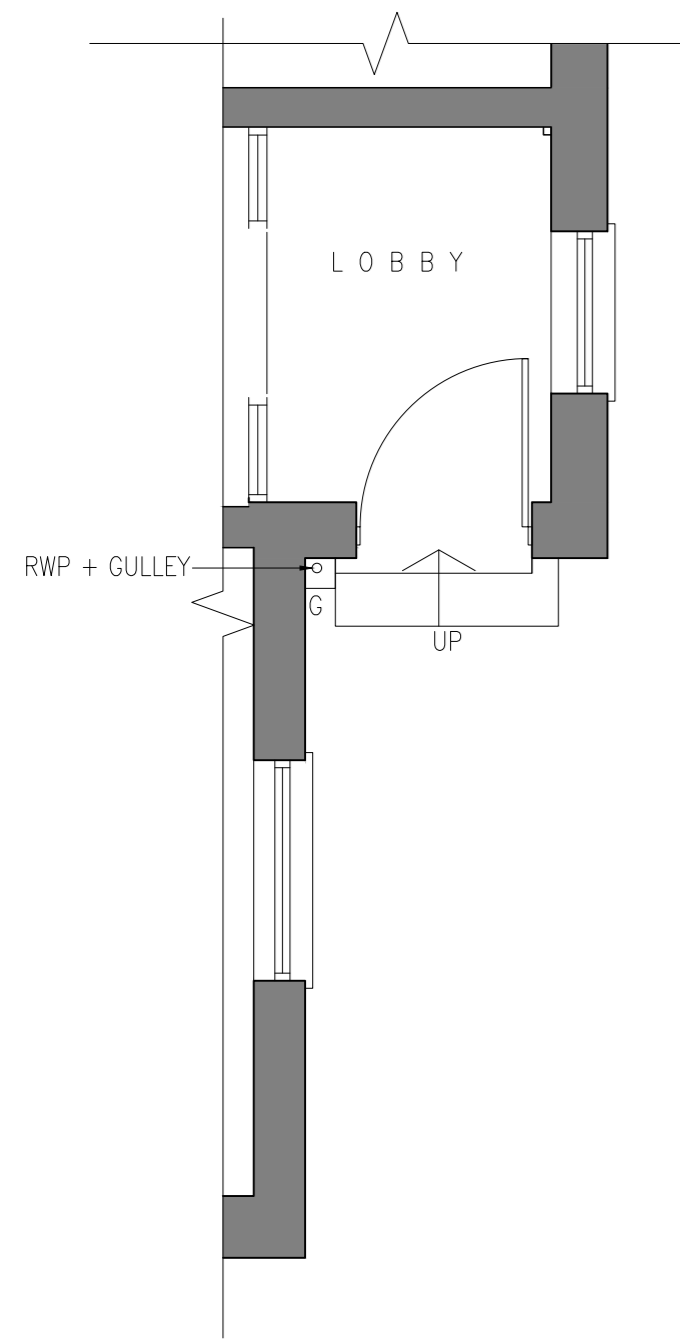
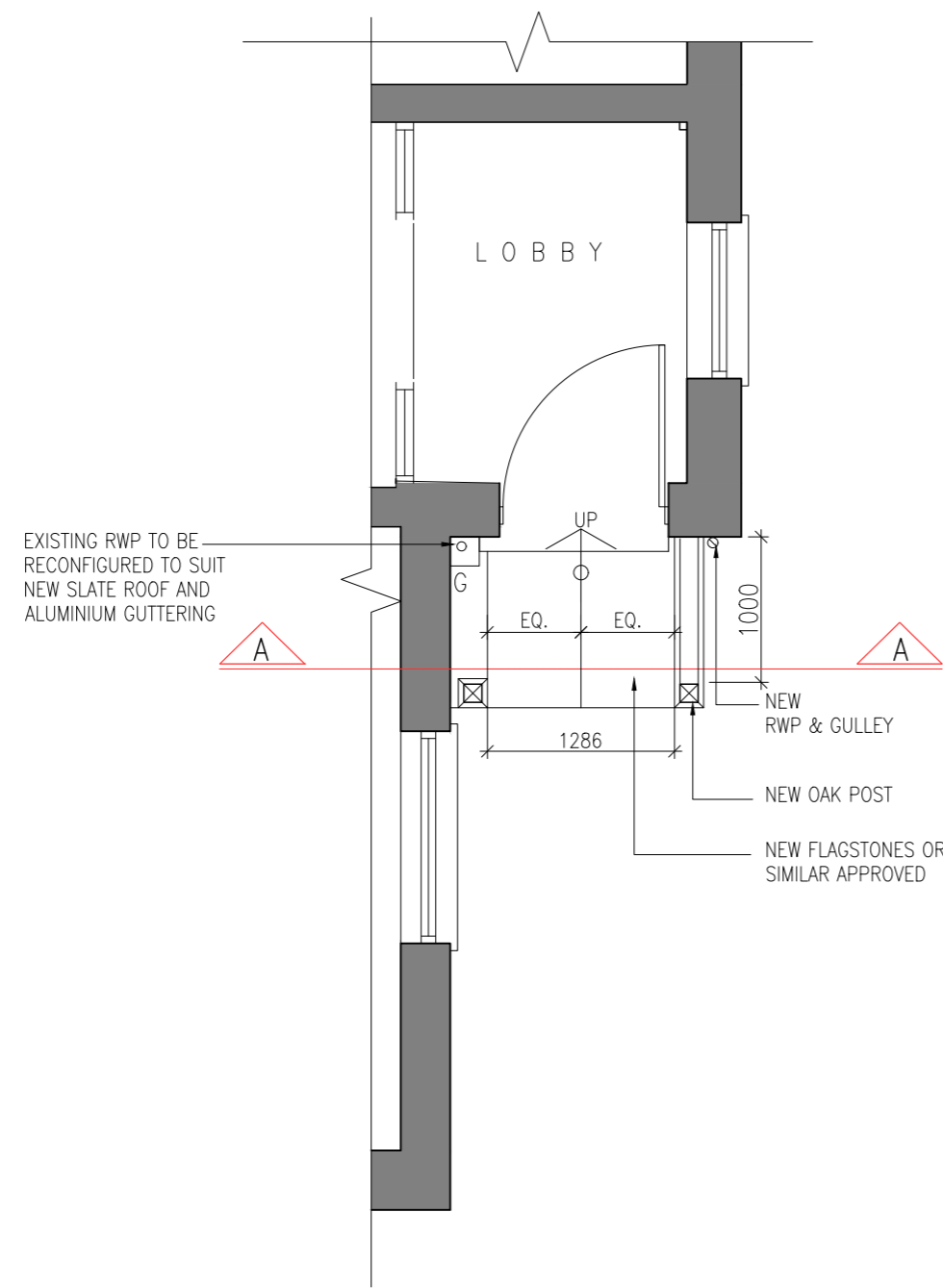


**NOTES**



EXISTING PLAN

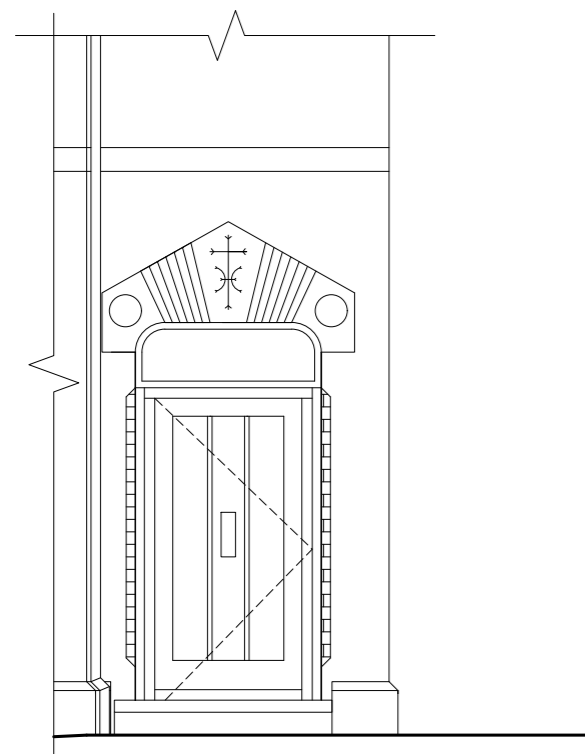


PROPOSED PLAN

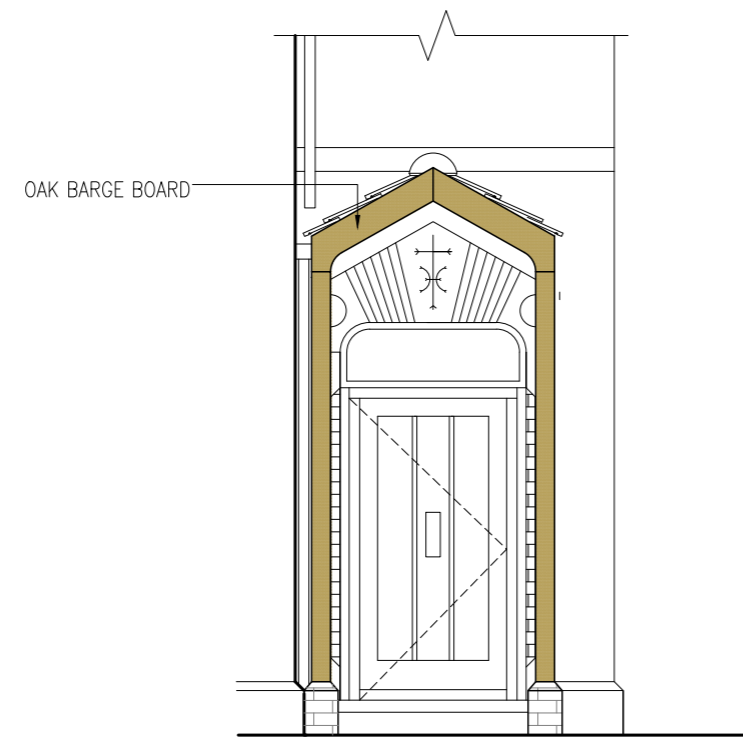


PROPOSED SIDE

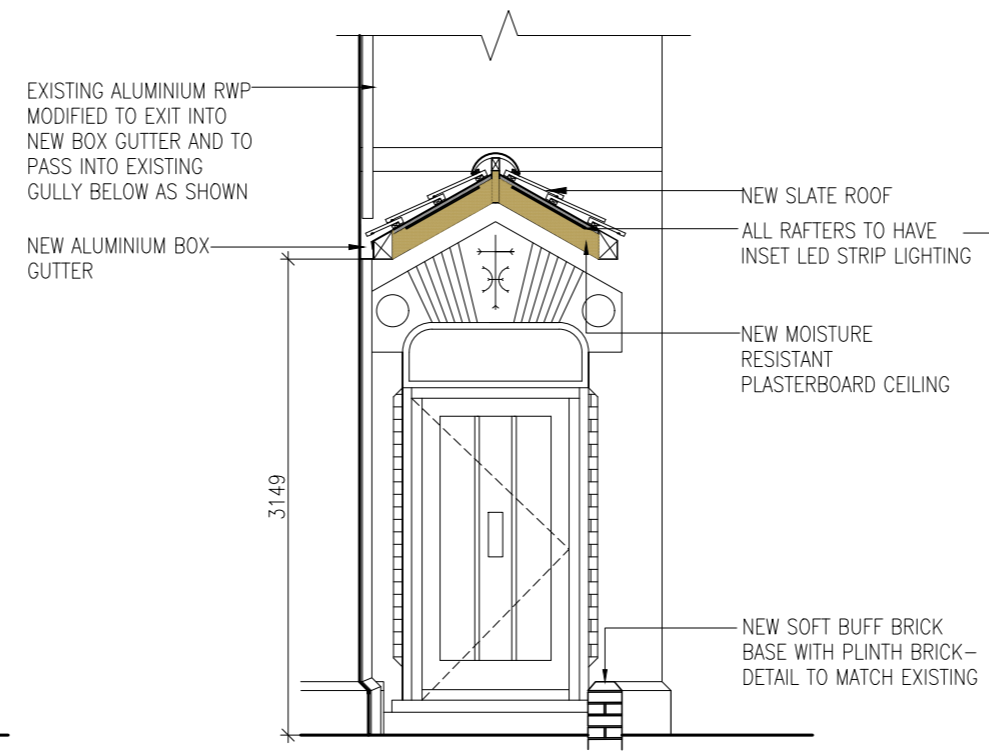
NEW SOFT BUFF BRICK  
BASE WITH PLINTH BRICK  
TO MATCH EXISTING  
OAK STOP  
CHAMFERED DETAIL



EXISTING ELEVATION



PROPOSED FRONT



PROPOSED SECTION A - A

EXISTING ALUMINIUM RWP  
MODIFIED TO EXIT INTO  
NEW BOX GUTTER AND TO  
PASS INTO EXISTING  
GULLY BELOW AS SHOWN

NEW ALUMINIUM BOX  
GUTTER

NEW SLATE ROOF  
ALL RAFTERS TO HAVE  
INSET LED STRIP LIGHTING

NEW MOISTURE  
RESISTANT  
PLASTERBOARD CEILING

NEW SOFT BUFF BRICK  
BASE WITH PLINTH BRICK -  
DETAIL TO MATCH EXISTING



INSET LED STRIP LIGHTING TO NEW RAFTERS - EXAMPLE ONLY

C	14/06/21	ISSUED TO LOCAL AUTHORITY	VP
B	05/02/21	ISSUED FOR COMMENTS	VP
A	29/01/20	ISSUED FOR INFORMATION	VP
REV.	DATE	PURPOSE	DRAWN

CLIENT MR & MRS ENTWISTLE  
PROJECT THE ELMS, GEDDING HILL IP30 0QX  
TITLE PROPOSED ENTRANCE CANOPY

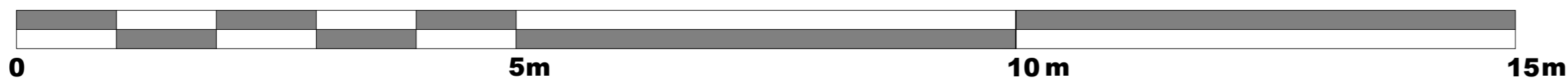
REVISION	DWG No.	SKK3266/149	SCALE	1:50/5@ A2
C	DATE	JAN '21	DRAWN	VP
			CHECKED	APF

**SKK DESIGN**

INTERIOR, ARCHITECTURAL & RETAIL DESIGN

The Mill  
Stortford Road  
Hatfield Heath  
CM22 7DL

Tel: 01279 873010  
www.senkenken.com



0  
SCALE 1:50