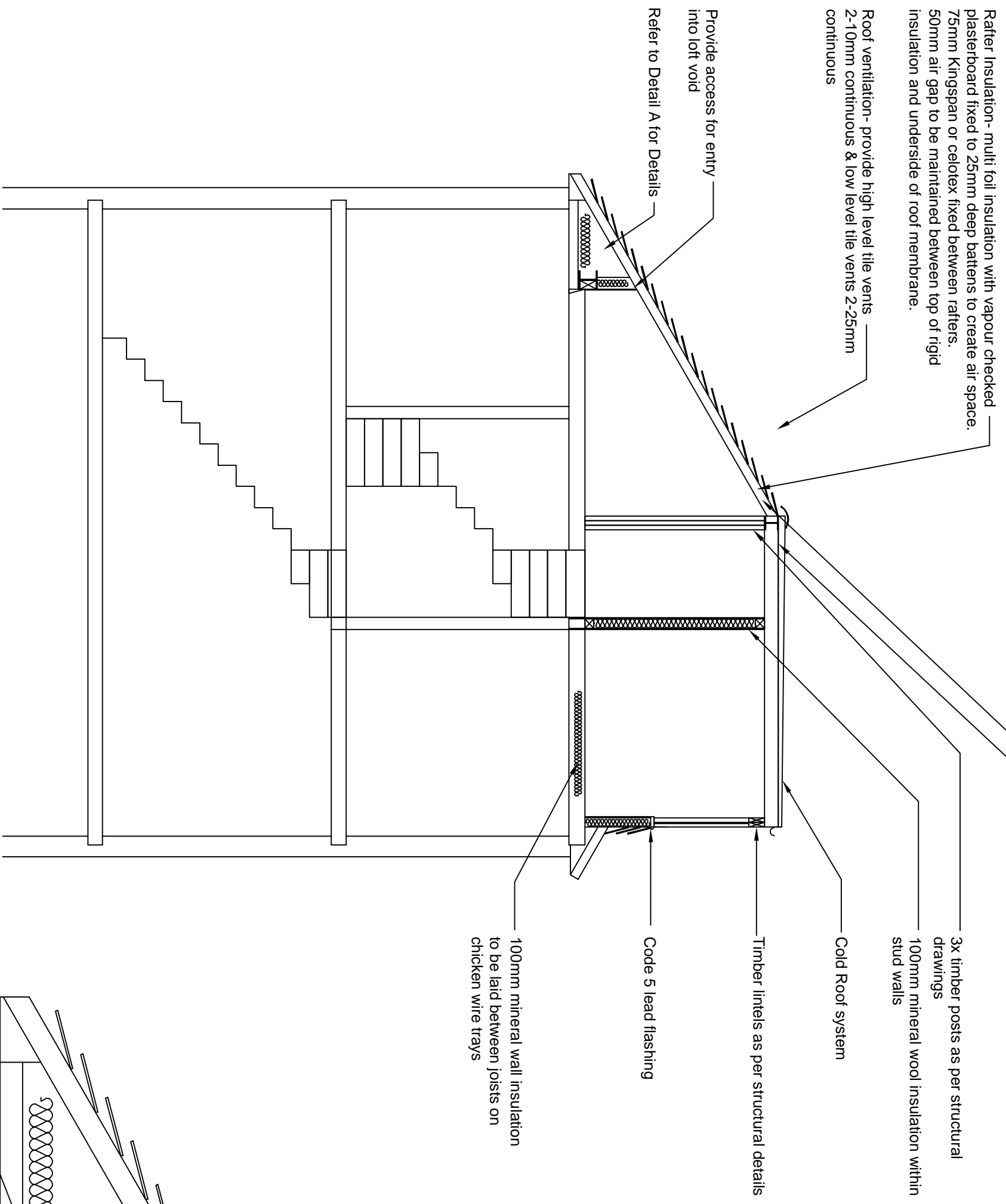
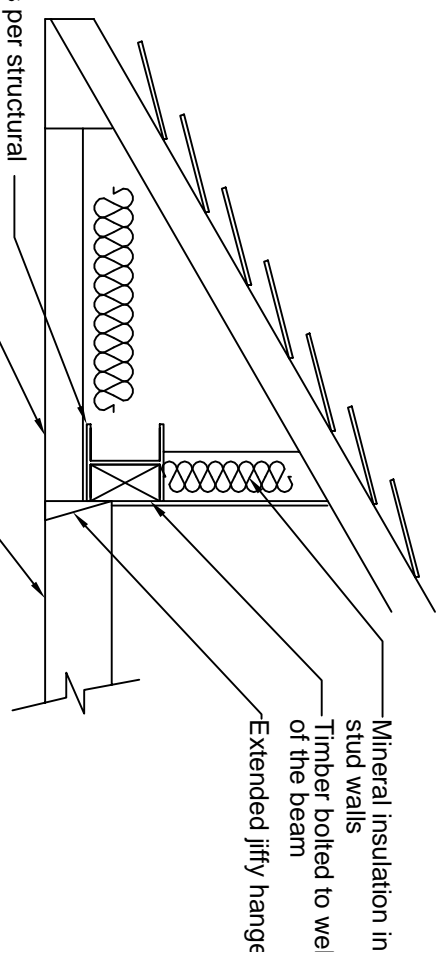


Sectional Detail (Scale 1:50)



- NOTES:
- 1) All Dimensions to be checked on site.
  - 2) All works to comply with the current building regulations
  - 3) All drawings are subject to revision on site.
  - 4) All drawings are the copyright of CGA Design & Build
  - 5) This drawing may not be copied without prior permission.
  - 6) All dimensions are in millimeters unless otherwise stated.

Detail A (Scale 1:20)



Existing ceiling joists  
Structural beam as per structural Drawings  
Floor Joists as per structural engineers drawings



**CGA DESIGN & BUILD**  
20 Burton Crescent  
Chichester,  
Surrey  
PO19 9TP  
Tel: 07545430866 / 0203 842 0777  
Email: [ben@cp-dc.com](mailto:ben@cp-dc.com)  
[www.cpa-dc.com](http://www.cpa-dc.com)

CLIENT  
**Leon Hitt**

PROJECT  
**113 Green Lanes  
Ewell  
Surrey**

DRAWING TITLE  
**Section & Detail  
Drawing**

PURPOSE:  
**Building Control**

SCALE:	SIZE:
<b>As Shown</b>	<b>A:</b>
DRAWN: BE	CHECKED: BE
DATE: 26/03/2020	REVISION: 00
DRAWING No: 100	