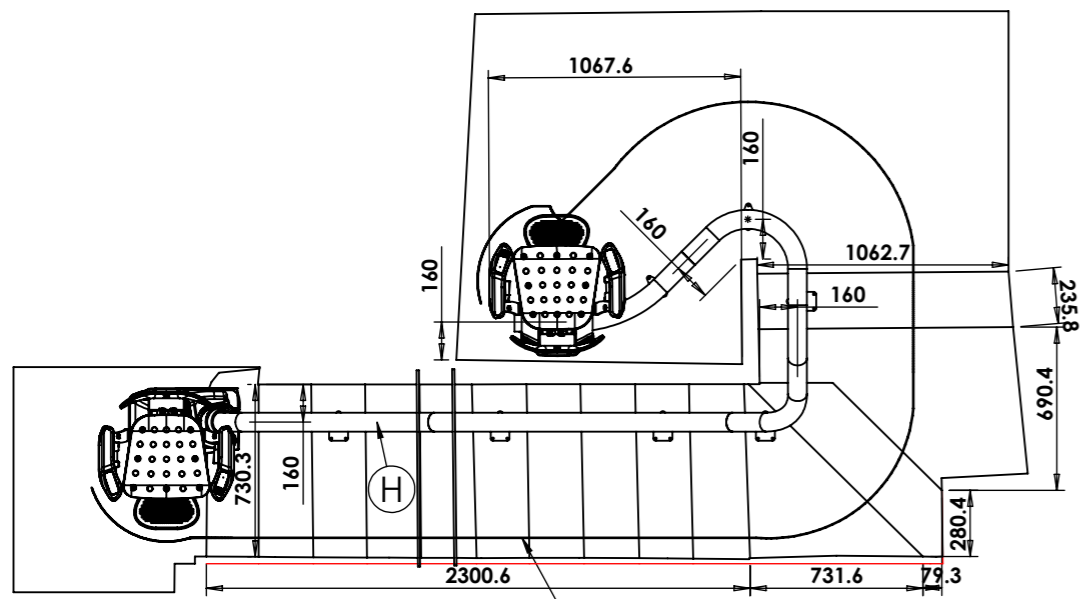
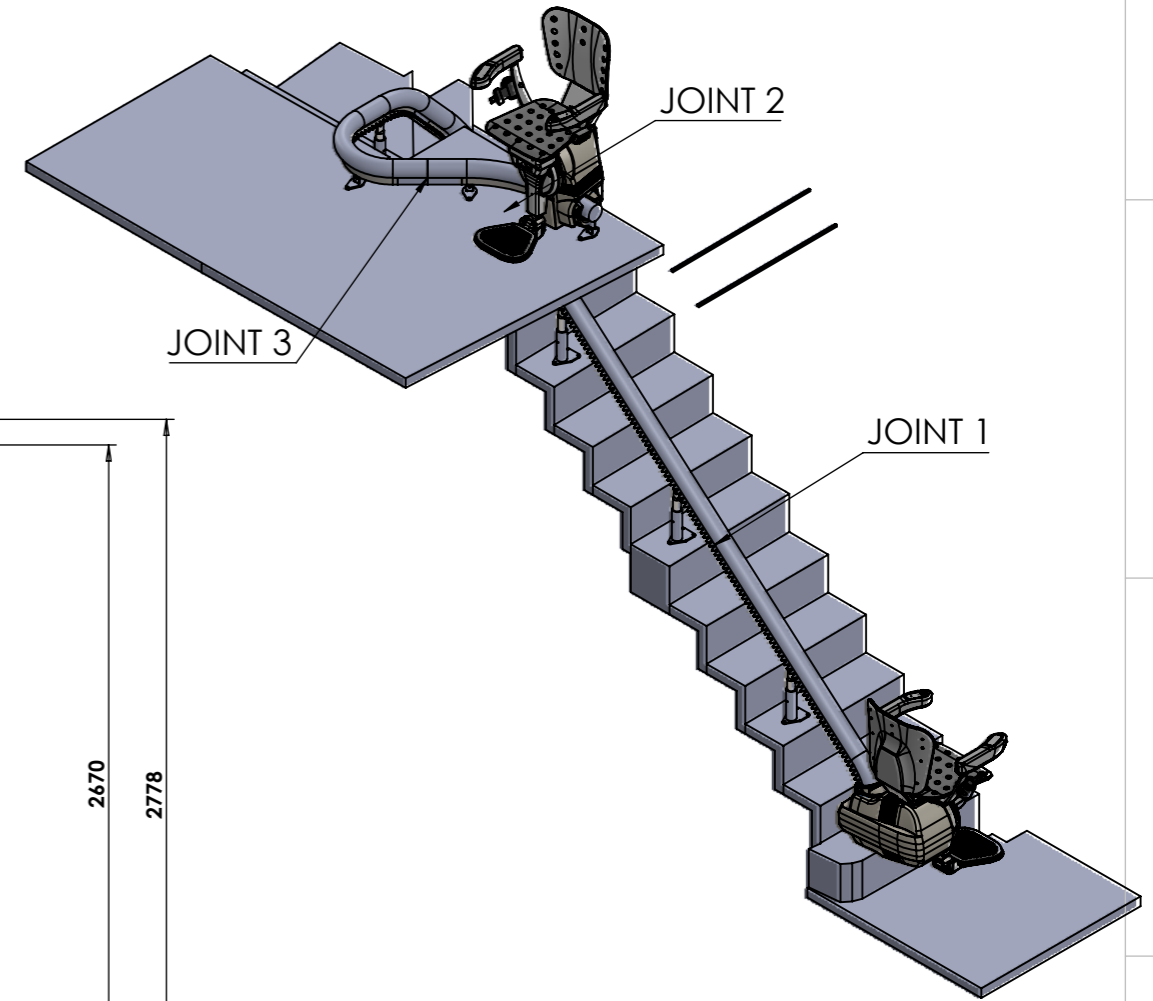
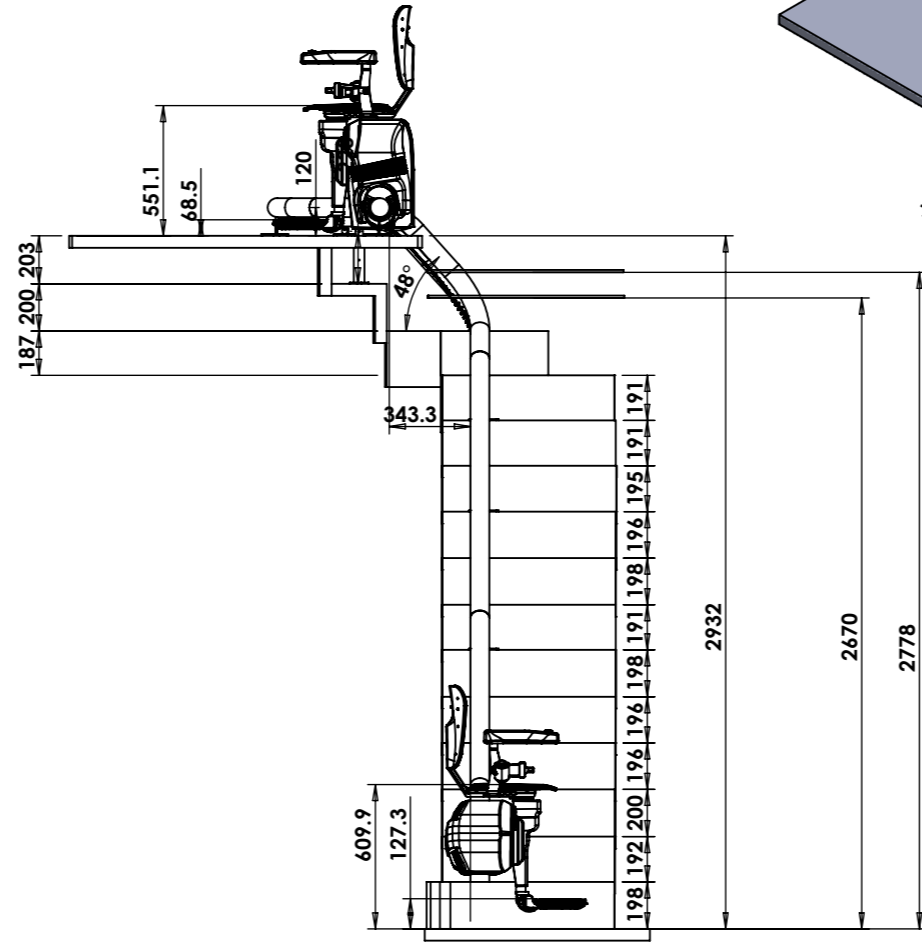
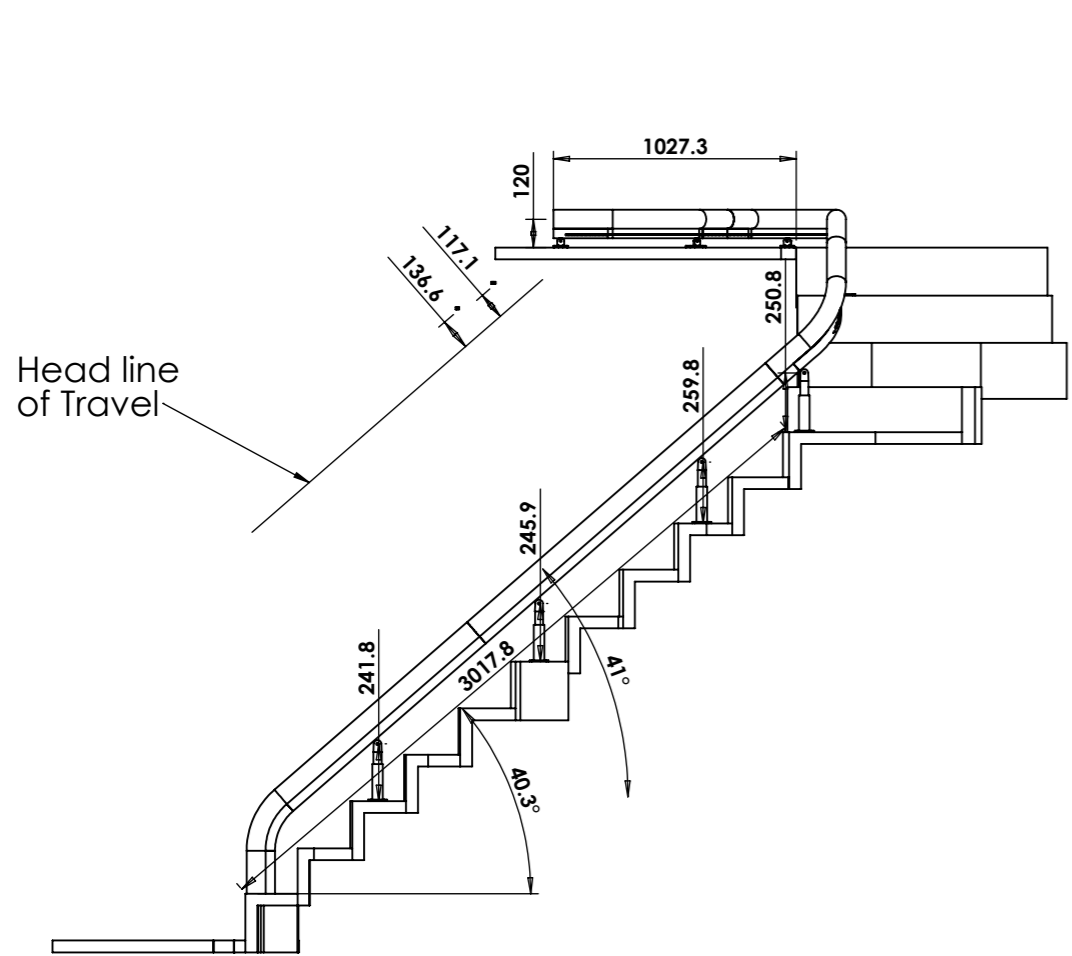


Seat to bulkhead clearance = 887 mm
 Customer head clearance = 117 mm

Generic drawing of Stairlift showing similar to proposed stairlift



(H) - DRILL HOLES SECTION 1
 Customer back to feet line of travel

	Item
Type	Complete Lift
Weight	Standard Duty
Carriage Hand	Left Hand
Swivel	Powered Swivel
Control Type	Rocker
Upholstery Colour	Grey
Bends	3
Rail Colour	RAL 9002 Ripple
Rail Start	First Step Start
Rail Finish	Overrun
Rail Length	5799
RF Kit	1
Extra Charge Point	
Extra Remotes	
Charger Option	UK Charger
Region	UK Region
Rail Sections	4
Rail Joints	3
Bases To Kit	8
Seat Position	Middle
Footrest Position	Low
Chair Swivel Angle During Travel	Default
Straight Rail (m)	4.57
External Bends (m)	0.41
Internal Bends (m)	0.82

Kitting Requirements

Legend
 ⚠ Clearance <50mm - Use caution
 ⚠ 0mm Clearance - Alterations to be made

UNLESS OTHERWISE SPECIFIED: DIMENSIONS ARE IN MILLIMETERS

Designed By:
 NinoPagliuca

DO NOT SCALE DRAWING
 PR. NO. PRO17969

Date- 29/04/2021
 REF Platinum Ultimate

COMPANY Tremorvah Industries
 REV. A