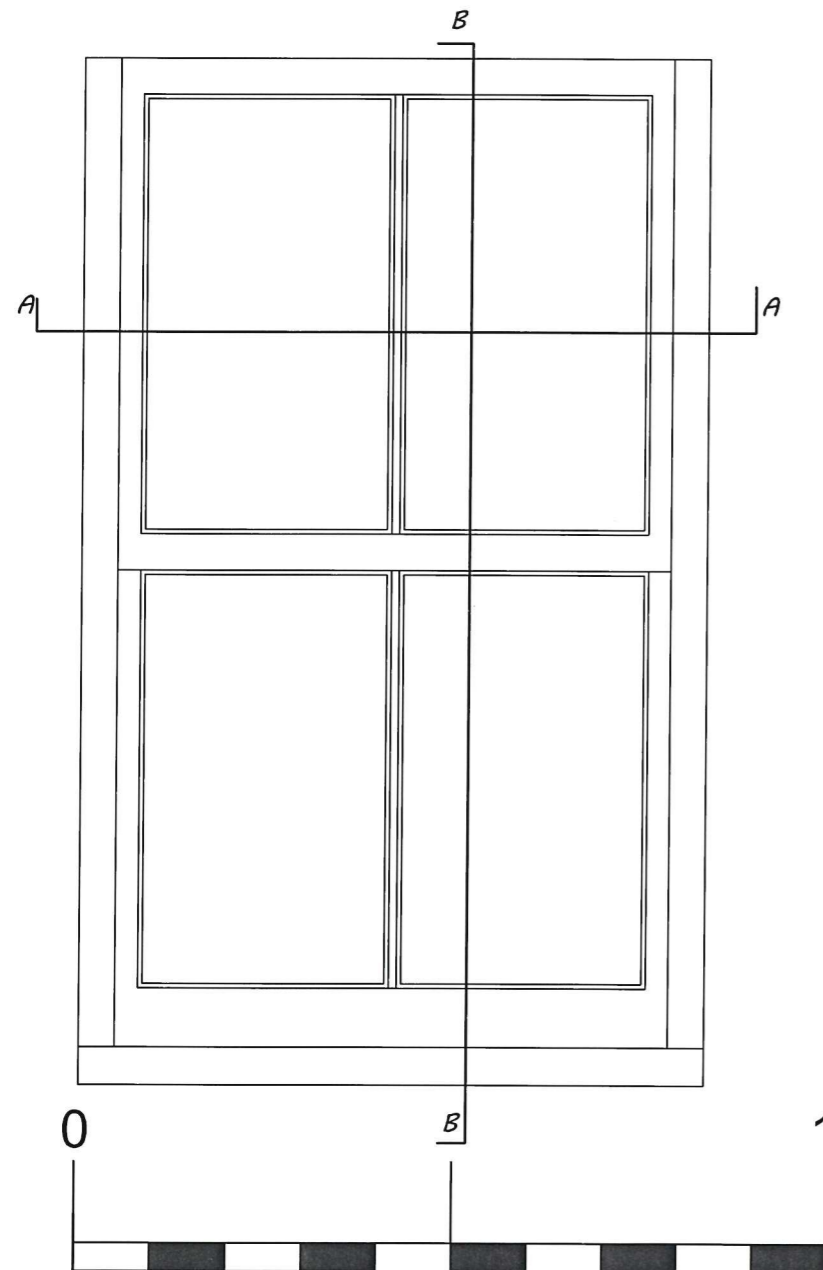
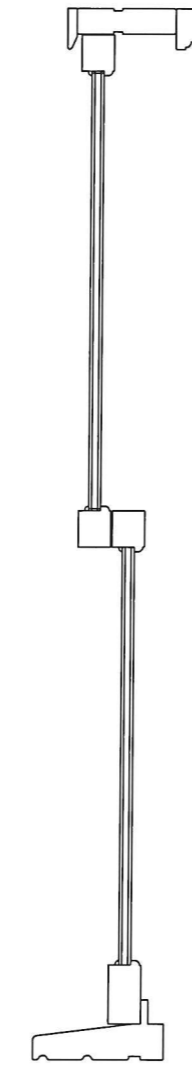


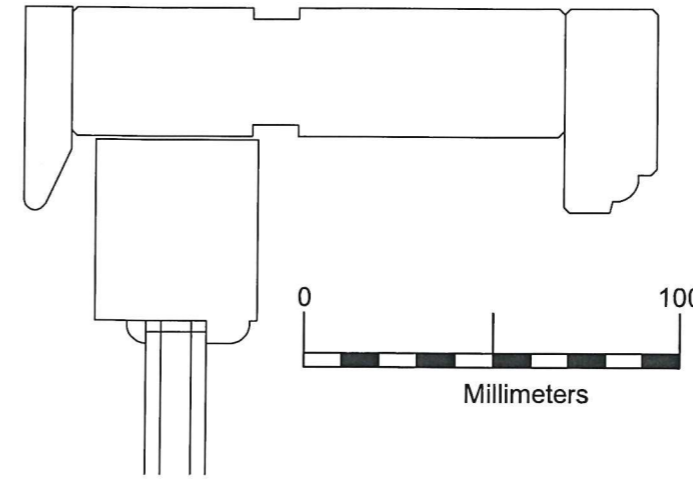
Section A-A



Meters



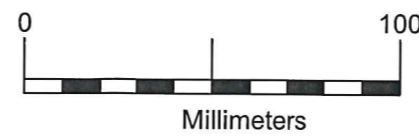
Section B-B



Window head detail



Central sash detail



Bottom Rail and Cill detail

ISSUE	DESCRIPTION	DATE	INITIAL
A	Scale bar added	06/21	GG

PROJECT  
**PROPOSED REPLACEMENT WINDOWS  
 SAXON HOUSE,  
 ALTON**

CLIENT  
**ABRI HOUSING ASSOCIATION**

TITLE  
**WINDOW DETAILS AS EXISTING**



SUITE 1, FESTIVAL HALL HEATH ROAD, PETERSFIELD HAMPSHIRE GU31 4DZ TEL 01730 266722 FAX 01730 265805 EMAIL post@boultermossman.co.uk	PROJECT NO <b>5193</b>	DRAWING NO. <b>09</b>	REVISION <b>A</b>
	DRAWN EV / GG	DATE Apr 21	SCALE as shown AT A3

PLEASE DO NOT SCALE FROM DRAWING  
 (EXCEPT FOR PLANNING APPROVAL).  
 ALL DIMENSIONS TO BE CHECKED ON SITE

1:200