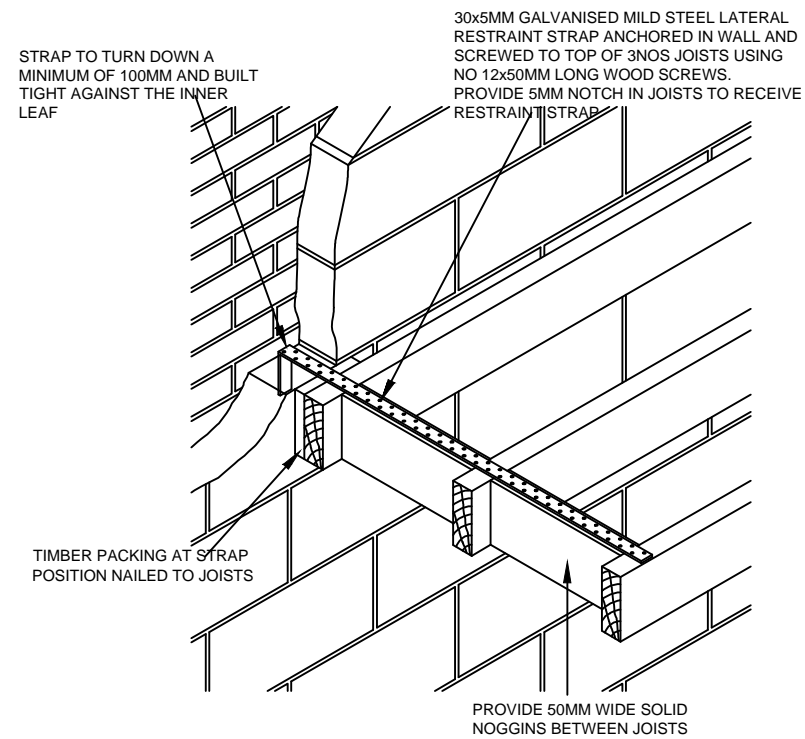
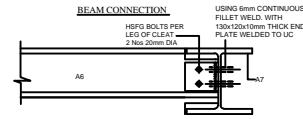
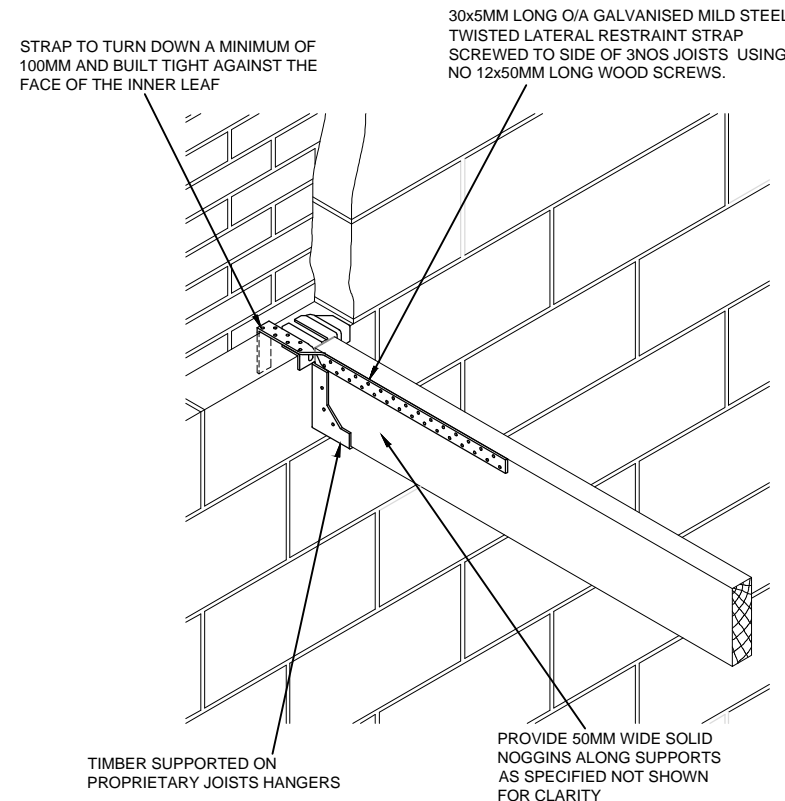


COPYRIGHT IS RESERVED BY EXPRESS PLANS AND THE DRAWING IS ISSUED ON THE CONDITION THAT IS NOT COPIED, REPRODUCED, RETAINED OR DISCLOSED BY ANY UNAUTHORISED PERSON, WHOLLY OR IN PART, WITHOUT THE CONSENT IN WRITING OF EXPRESS PLANS.

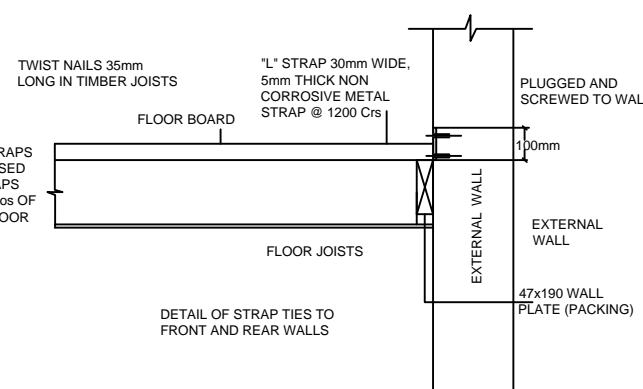
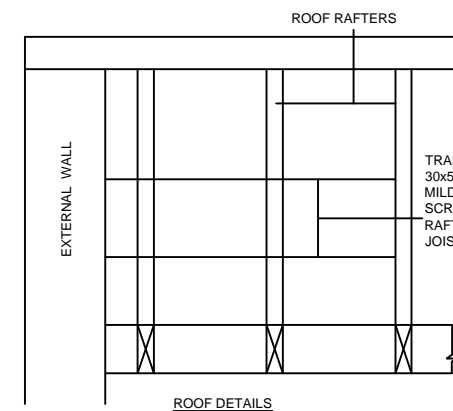
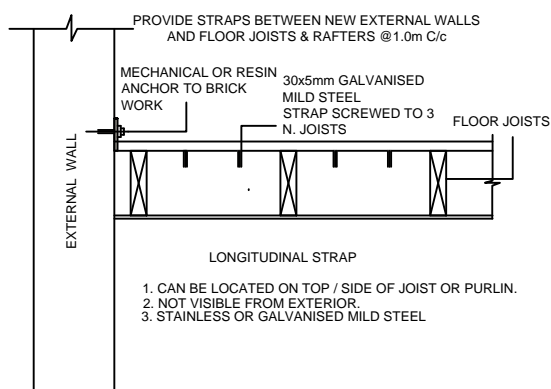
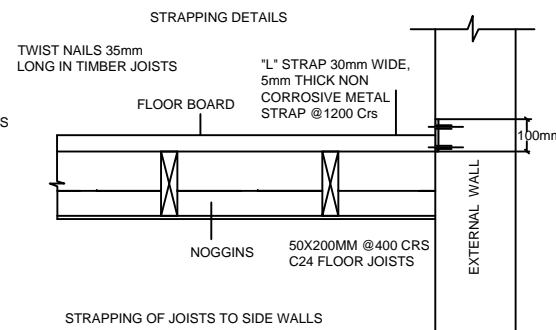
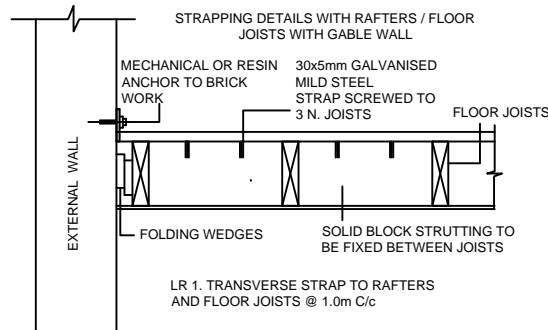
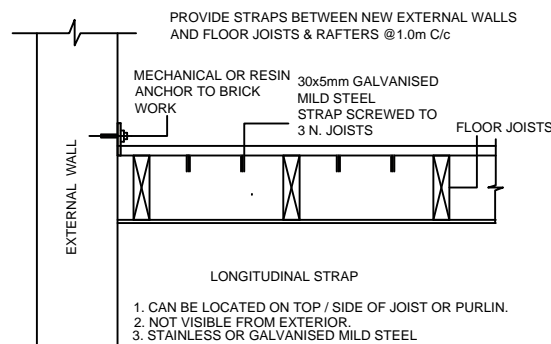
- A. DO NOT SCALE FROM THIS DRAWING. USE FIGURED DIMENSIONS ONLY
- B. ALL DIMENSIONS ARE IN MILLIMETERS UNLESS STATED OTHERWISE
- C. THE CONTRACTOR IS TO CHECK DRAWINGS AND TO VERIFY ALL DIMENSIONS ONSITE BEFORE COMMENCING ANY WORK OR MAKING ANY SHOP DRAWINGS.
- D. ANY DISCREPANCIES ARE TO BE NOTIFIED TO EXPRESS PLANS IMMEDIATELY.
- E. THE DRAWING IS THE PROPERTY OF EXPRESS PLANS.
- F. ALL WORK IS TO BE CARRIED OUT IN ACCORDANCE WITH THE CURRENT BUILDING REGULATIONS.



LATERAL RESTRAINT TO NEW CAVITY WALL PARALLEL TO JOISTS



LATERAL RESTRAINT TO NEW CAVITY WALL PERPENDICULAR TO JOISTS



Issue	Notes	Drawn	Date
<b>Express Plans</b>			
Suite 12, 29 Belmont Road, Uxbrdge, UB8 1QS Tel: 07375 455206 Email: info@expressplans.co.uk			
Client			
Mr&Mrs. Patel 68 Ames Road Swanscombe DA10 0JD			
Drawing Title			
<b>CONNECTIONS</b>			
Scale	Date	Checked	Drawn By
NTS	02/06/21	AZ	AZ
Drawing Number			Revision
<b>D15</b>			