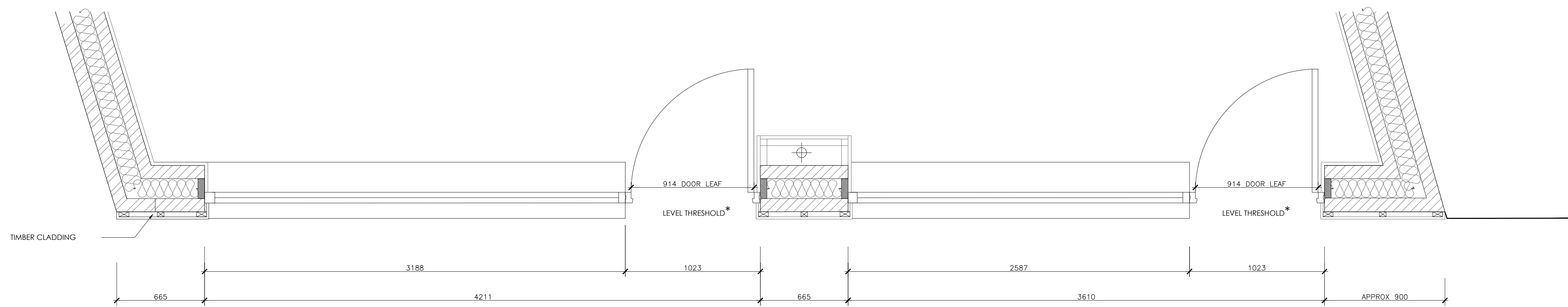
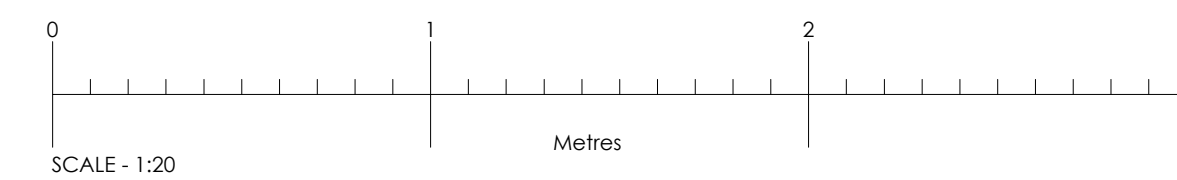


SHOPFRONT ELEVATION
SCALE 1:20



SHOPFRONT PLAN
SCALE 1:20

* AT LEAST ONE DOOR TO HAVE A LEVEL THRESHOLD AND BE AD PART M COMPLIANT



Rev	Date	Comments
-----	------	----------

PLANNING

Client
AVF DEVELOPMENTS

Project
69-71 CHURCH ROAD
ANERLEY
CRYSTAL PALACE

Title
SHOPFRONT DETAIL

Project No.	Date
7451	MAY 2021
Drawing No.	Revision
7451-PD-102	
Scale	Drawn
1:20 @ A1	MN
	Check

Hepscar House, London Road,
Wrotham Heath, Kent, TN15 7RS
phone: 01732 753333
fax: 01732 753334
info@offsetarchitects.co.uk
www.offsetarchitects.co.uk

