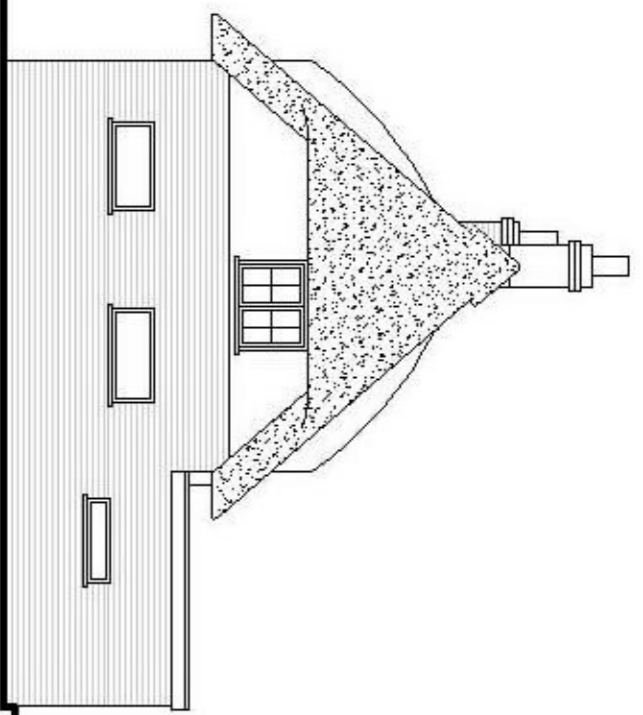
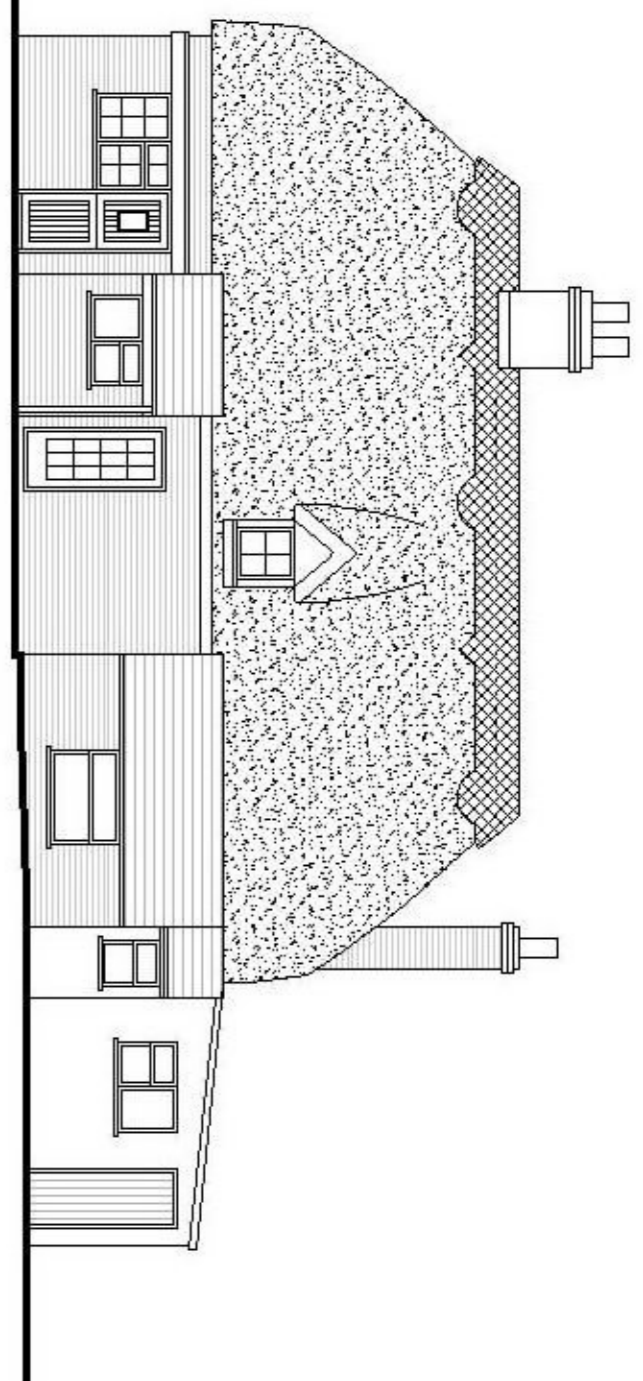


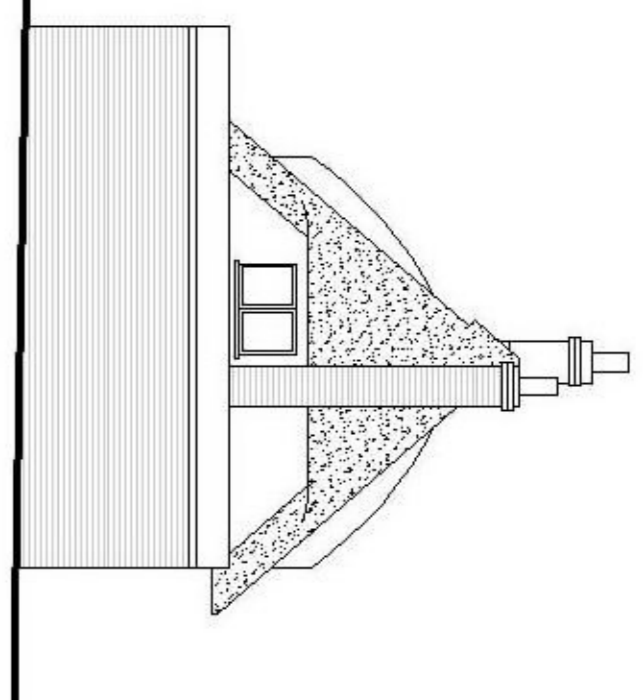
EXISTING FRONT ELEVATION
SCALE 1:100



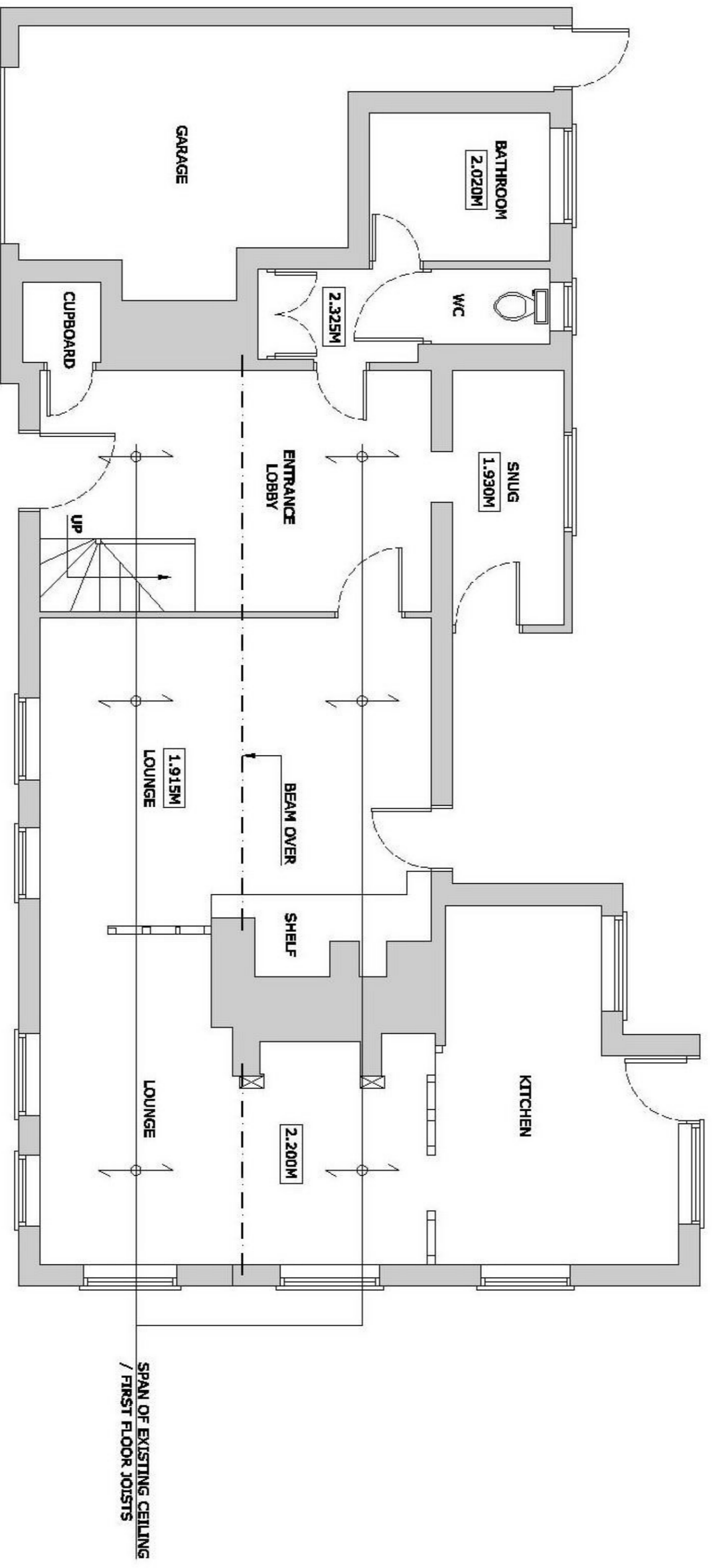
EXISTING RIGHT HAND ELEVATION
SCALE 1:100



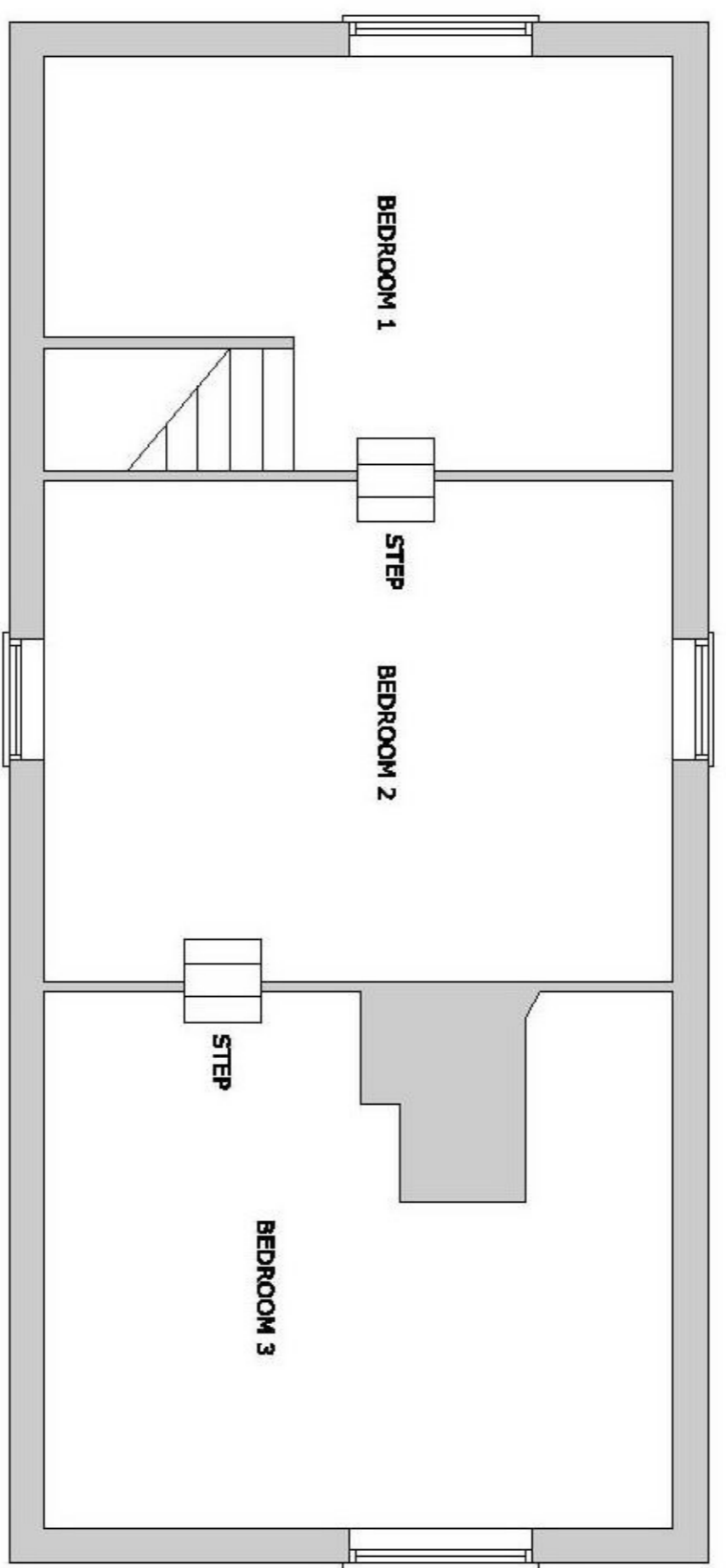
EXISTING REAR ELEVATION
SCALE 1:100



EXISTING LEFT HAND ELEVATION
SCALE 1:100



EXISTING GROUND FLOOR PLAN
SCALE 1:50



EXISTING FIRST FLOOR PLAN
SCALE 1:50

Project
THE THATCH COTTAGE
WIX ROAD
BRADFELD
CO11 2UX

Title
EXISTING PLANS & ELEVATIONS
(PRIOR TO FIRE DAMAGE)

Client
MR & MRS DORAN

Drawn J. BAKER	Date MAY 2021
Job Manager R. WINDNER	Checked R. WINDNER
Approved	Scale AS SHOWN @ A1

This drawing is to be read in conjunction with all other Designer's drawings and all project information is to be reported to the Contract Administrator immediately.



Drawing No. 53404/B/01	Revision
<input checked="" type="checkbox"/> DESIGN <input type="checkbox"/> TENDER <input type="checkbox"/> APPROVAL <input type="checkbox"/> CONSTRUCTION <input type="checkbox"/> AS CONSTRUCTED	<input type="checkbox"/> AS CONSTRUCTED

REV	DATE	DESCRIPTION	DRAWN	CHECK