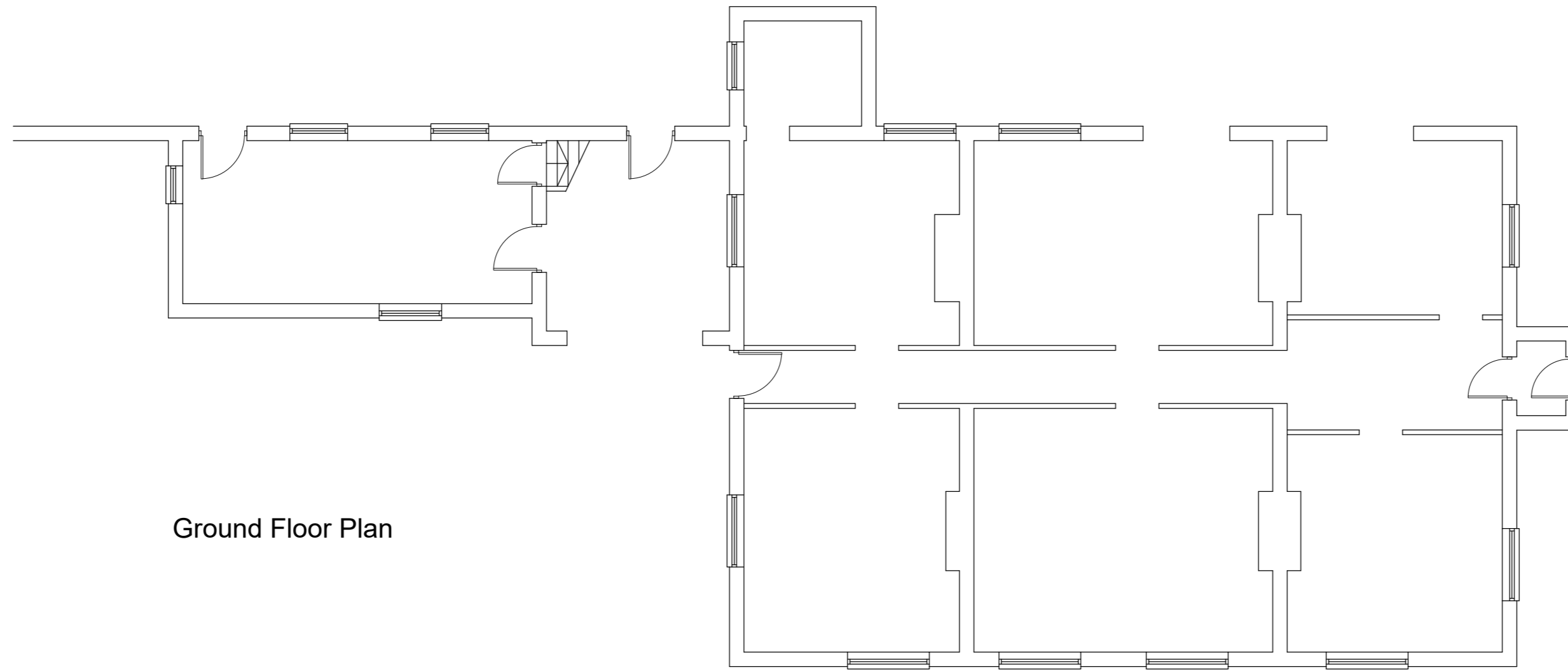


NOTES
 These drawings have been prepared for the purpose of obtaining Planning Permission only. Any discrepancies found should be immediately communicated to the designer for further consideration.
 Any boundaries shown on the drawing are indicative only and should not be used to signify ownership.

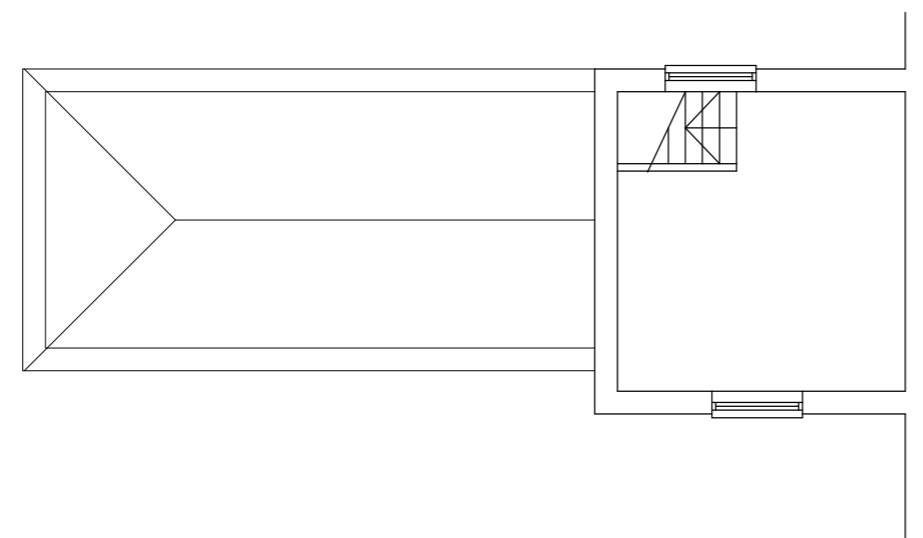
DO NOT SCALE FROM THIS DRAWING.

@ COPYRIGHT HALL'S HOLDINGS LTD 2021

BASED ON ORDNANCE SURVEY © CROWN COPYRIGHT 2021.
 ALL RIGHTS RESERVED USED WITH PERMISSION.
 LICENCE NUMBER 100055041.

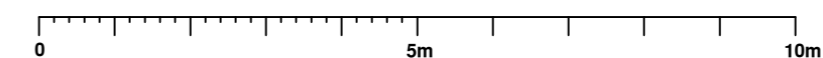


Ground Floor Plan



First Floor Plan

1:100 Scale bar for guidance only. Do not scale off this drawing



| Rev. | Comments | Drawn | Date |
|--|-------------|-------|------|
| | | | |
| Agent | | | |
| Halls Holdings Ltd Halls Holdings House Bowman Way Battlefield Shrewsbury SY4 3DR Tel: 01743 450700 Fax: 01743 443759 web: www.hallsgb.com | | | |
| Site Address | | | |
| PROPOSED ALTERATIONS THE GRANARY KENWICK LODGE FARM HOUSE KENWICK ELLESEMERE SY12 0JQ | | | |
| Client | | | |
| A & P.J WRENCH LTD | | | |
| Contact | | | |
| OLLIE THOMAS olliet@hallsgb.com | | | |
| Title | | | |
| EXISTING FLOOR PLANS | | | |
| Drawn by | | | |
| D Haughton buildingdesign@hallsgb.com | | | |
| Scale | 1:100 (@A2) | | Date |
| Dwg. No. | HPT1128-003 | | Rev. |
| | | | - |