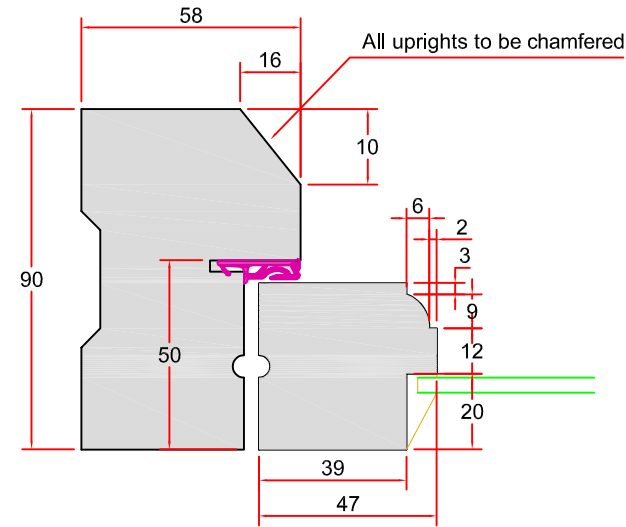
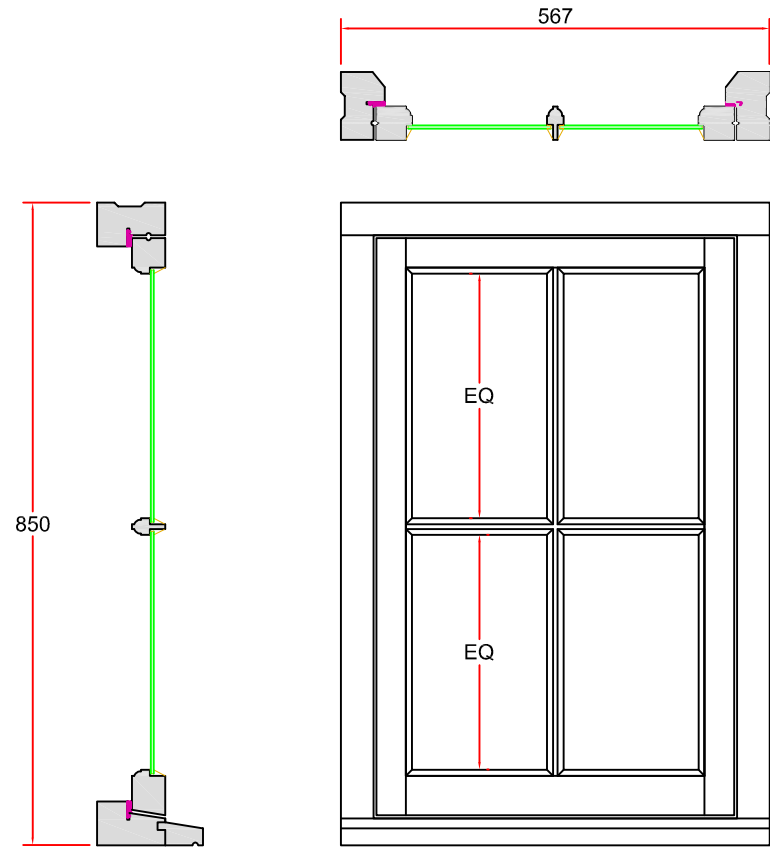
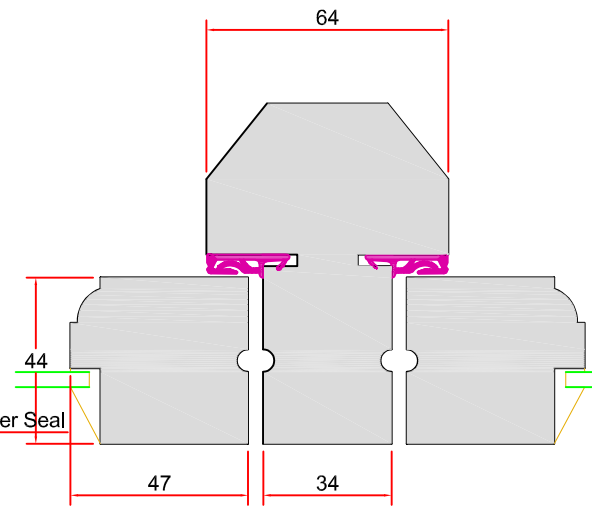
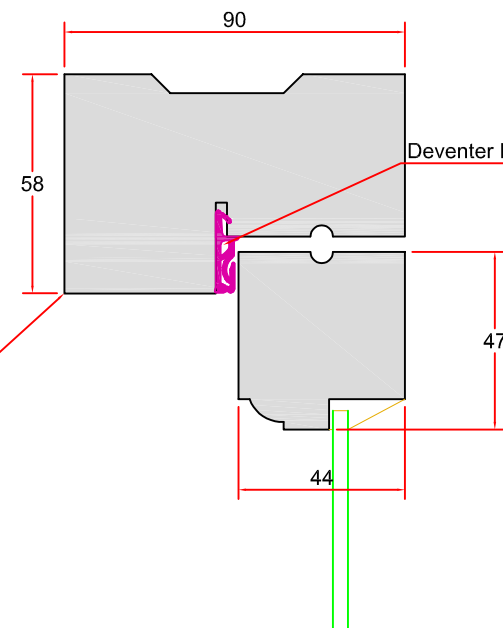


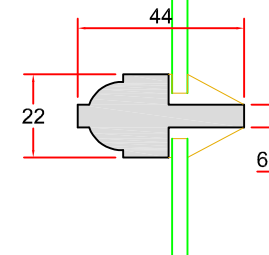
Jamb / Stile Section 1:2 on A3



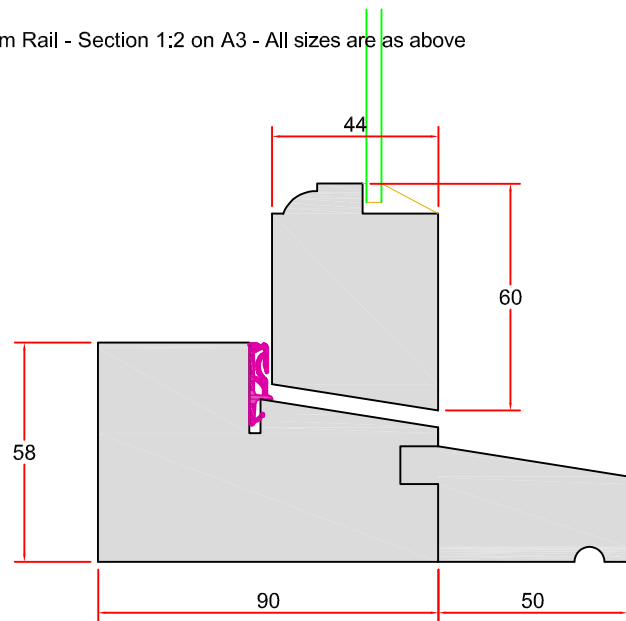
Head / Top Rail Section 1:2 on A3 - All sizes are as above



Glazing Bar 1:2 on A3



Cill / Bottom Rail - Section 1:2 on A3 - All sizes are as above



DESCRIPTION

Traditional Flush single glazed casement window. Traditional georgian through bar - **FOR SIGN OFF FROM CONSERVATION OFFICER**

Timber Type: Accoya

4mm Float glass with putty style timber bead.

Ovolo mould on casements

Chamfer to uprights on frame  
Square edge to head and cill

3" Brass Butt hinges  
Traditional stay and fastner (Style TBC)

Full spray finish - White (Colour needs confirming)

Deventer - Black Weather Seal

Code 5 Lead to be flashed over on sub cill

Rebate and mould sizes to be taken from jamb / stile section drawings

Rev.A

Revision Date: 18/05/21

Notes: **TO BE SIGNED OFF BY CONSERVATION**

Job no:	9625
Client:	Dr Amanda Salisbury
Title:	Trad Flush Win - <b>For sign off</b>
Dwg no:	9625:1
Drawn:	S.E
Scale:	1:10 / 1:2
Date:	18/05/21



Name: \_\_\_\_\_  
Signed: \_\_\_\_\_  
Date: \_\_\_\_\_