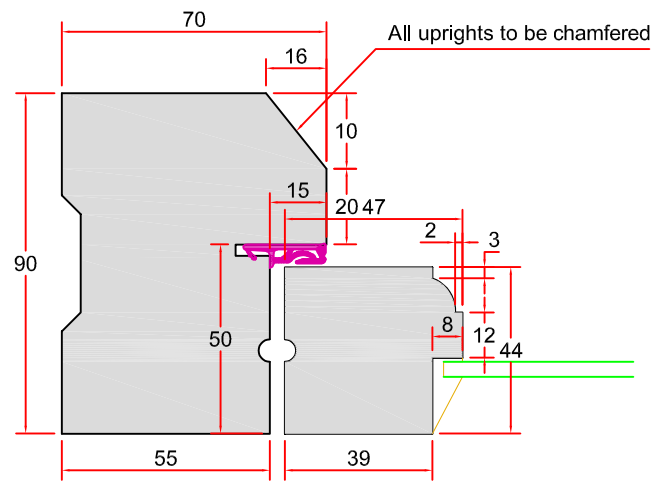
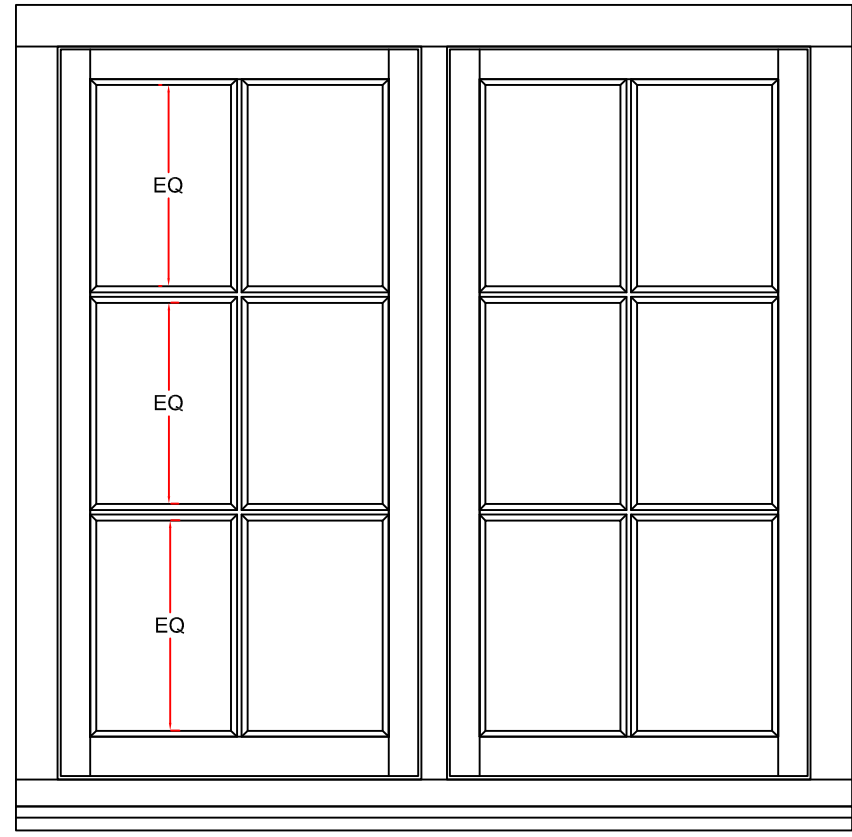
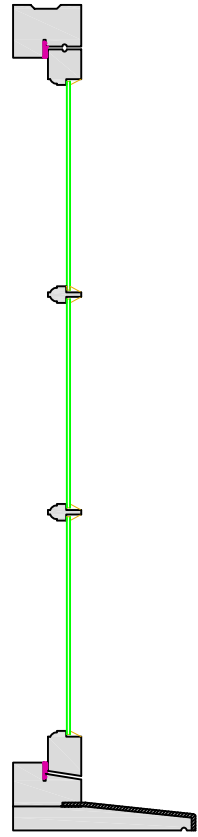
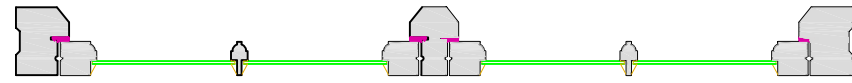
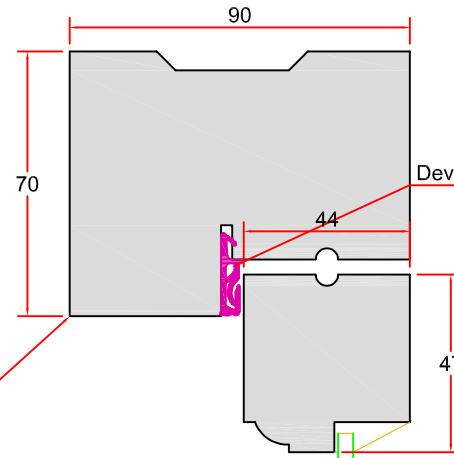


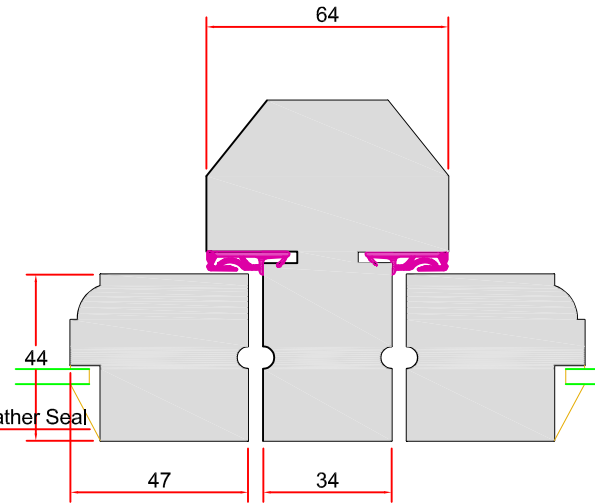
Jamb / Stile Section 1:2 on A3



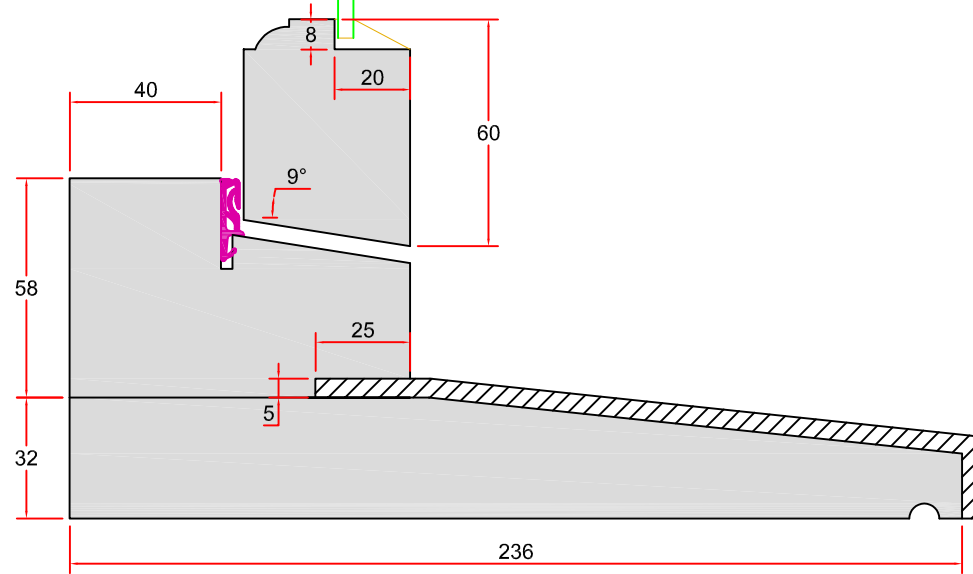
Head / Top Rail Section 1:2 on A3 - All sizes are as above



Head / Cill to be square edge

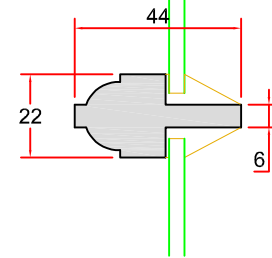


Cill / Bottom Rail - Section 1:2 on A3 - All sizes are as above



Accoya Cill to have lead flashing

Glazing Bar 1:2 on A3



DESCRIPTION

Traditional Flush single glazed casement window. Traditional georgian through bar - **FOR SIGN OFF FROM CONSERVATION OFFICER**

Timber Type: Accoya

4mm Float glass with putty style timber bead.

Ovolo mould on casements

Chamfer to uprights on frame
Square edge to head and cill

3" Brass Butt hinges
Traditional stay and fastner (Style TBC)

Full spray finish - White (Colour needs confirming)

Deventer - Black Weather Seal

Code 5 Lead to be flashed over on sub cill

Rebate and mould sizes to be taken from jamb / stile section drawings

Rev.A

Revision Date: 18/05/21

Notes: **TO BE SIGNED OFF BY CONSERVATION**

Job no:	9625
Client:	Dr Amanda Salisbury
Title:	Trad Flush Win - For sign off
Dwg no:	9625:1
Drawn:	S.E
Scale:	1:10 / 1:2
Date:	18/05/21



Name: _____
Signed: _____
Date: _____