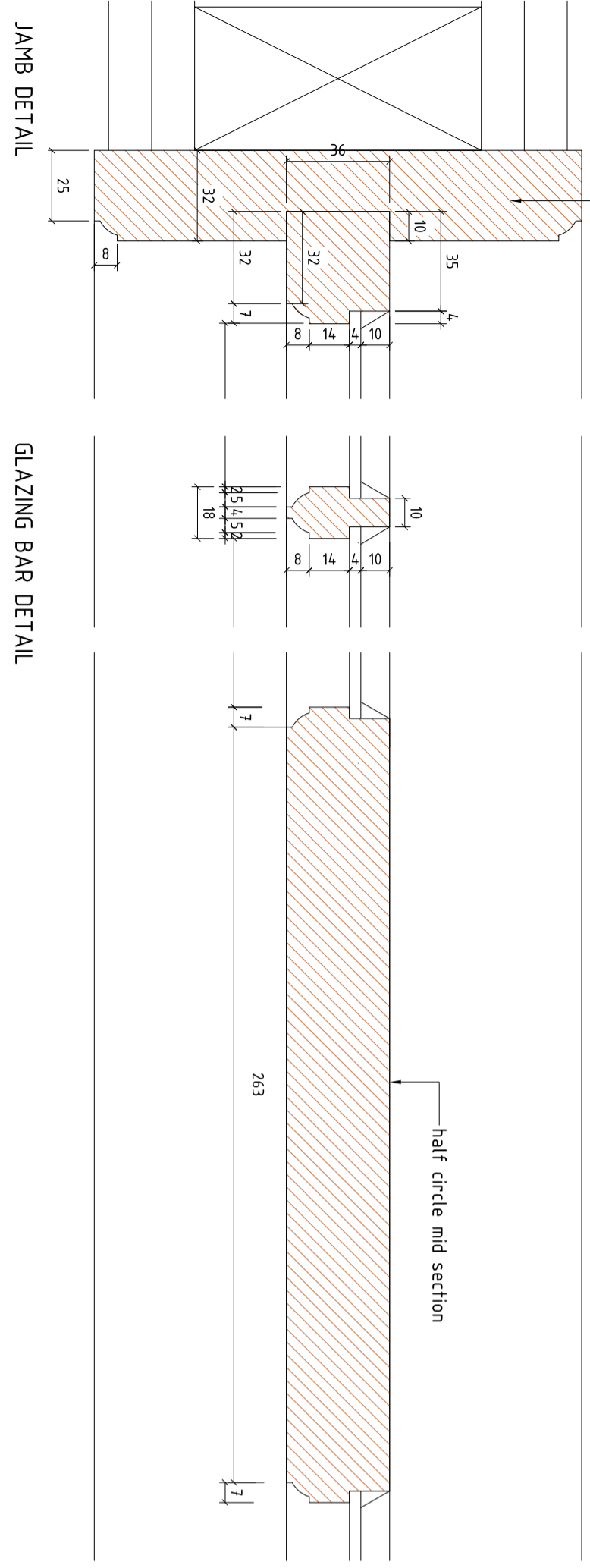
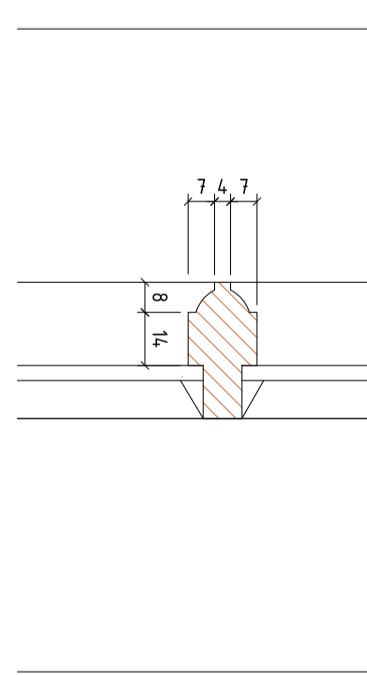
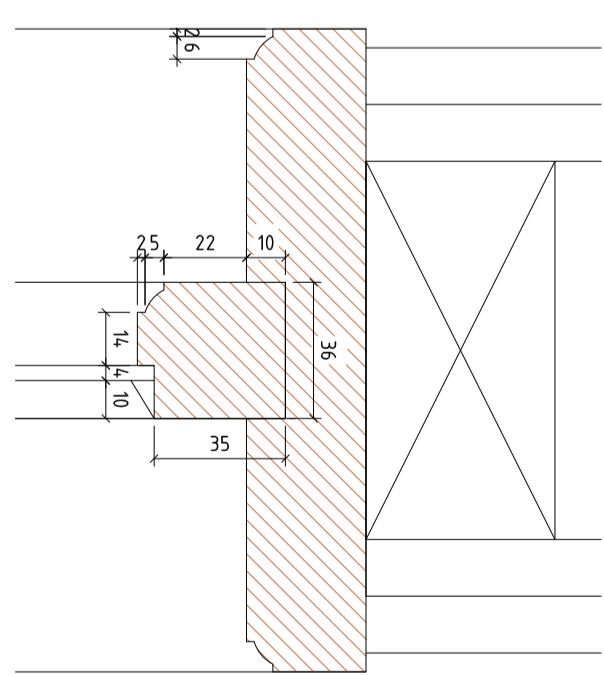


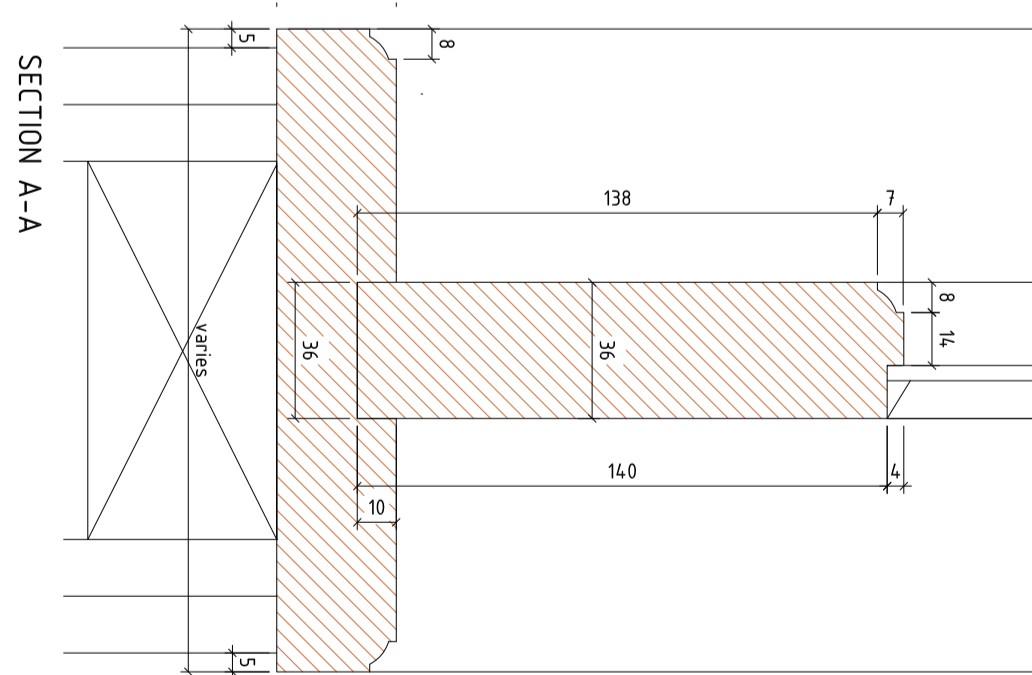
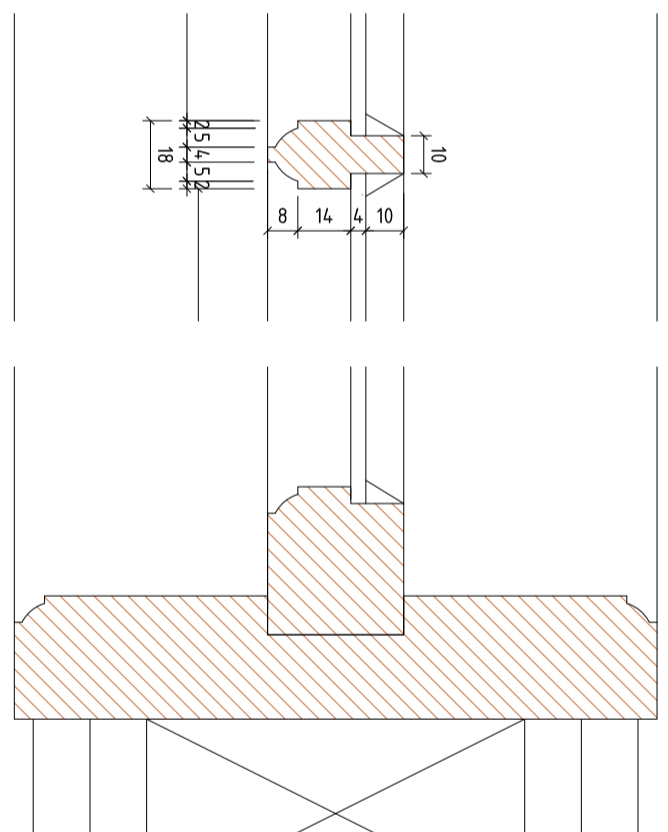
Window frame sections are to be manufactured in joinery grade Accoya to sizes illustrated on the drawing. All surfaces are to be prepared, primed using Graphenstone four 2 four and finished with Graphenstone mid sheen

Single glazing – 4mm toughened glazing to be installed on a non hardening butyl compound, secured with glazing springs and finished with insseed oil putty, all in accordance with the glazing manufacturer's recommendations.



Jamb made to suit wall width, to be site measured once wall finishes established

half circle mid section



GENERALLY:
All planning/listed building consent conditions must be approved by the Local Authority prior to the commencement of the works. Adhere to all planning/listed building consent conditions for the duration of the works.
All construction must comply to the current Building Regulations, whether indicated on the drawings or otherwise. The Contractor is to request staged inspections by the Building Control Officer and request a Completion Certificate at the end of the works.
All dimensions are to be verified on site prior to the ordering of materials and components and before work commences. Do not scale from the drawings.
All materials and fixtures/fittings are to be installed in accordance with the manufacturer's recommendations.

comment & pricing issue

INTERNAL WINDOW JOINERY DETAILS		REV	ISSUED
1 9 3 8 / W D / 3 1 1		A	ST
for MR & MRS SCOTT SHELLEY HALL IPSWICH IP7 3DX		DATE	BOLN
© The copyright of this drawing belongs to Kay Pilsbury Thomas		1 : 1 0	1 : 2 @ A2
AY PILSBURY THOMAS ARCHITECTS		MARCH 21	
TEL 01779 592928		FAX 01779 594945	
WWW.KPT.CO.UK		151489921.CO.UK	
HONEYLANDS ROAD/INTEK SAFFRON WALDEN ESSEX CB10 2TJ			