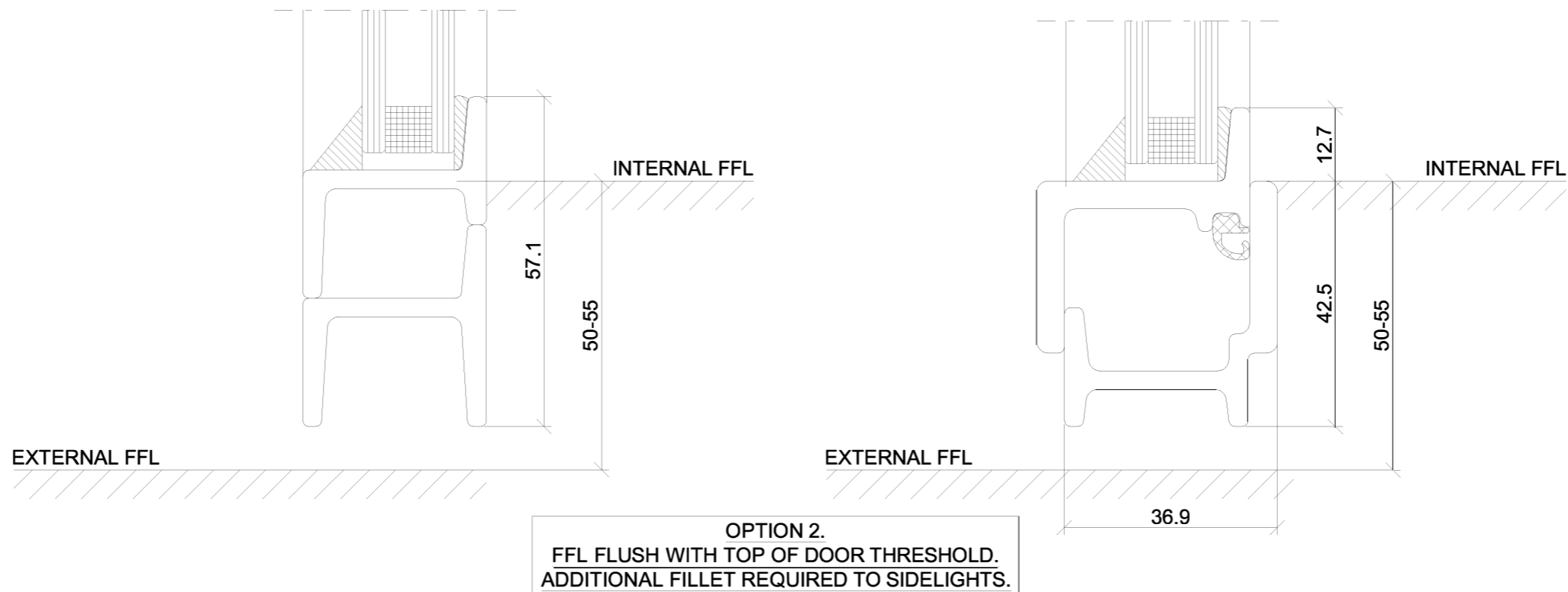
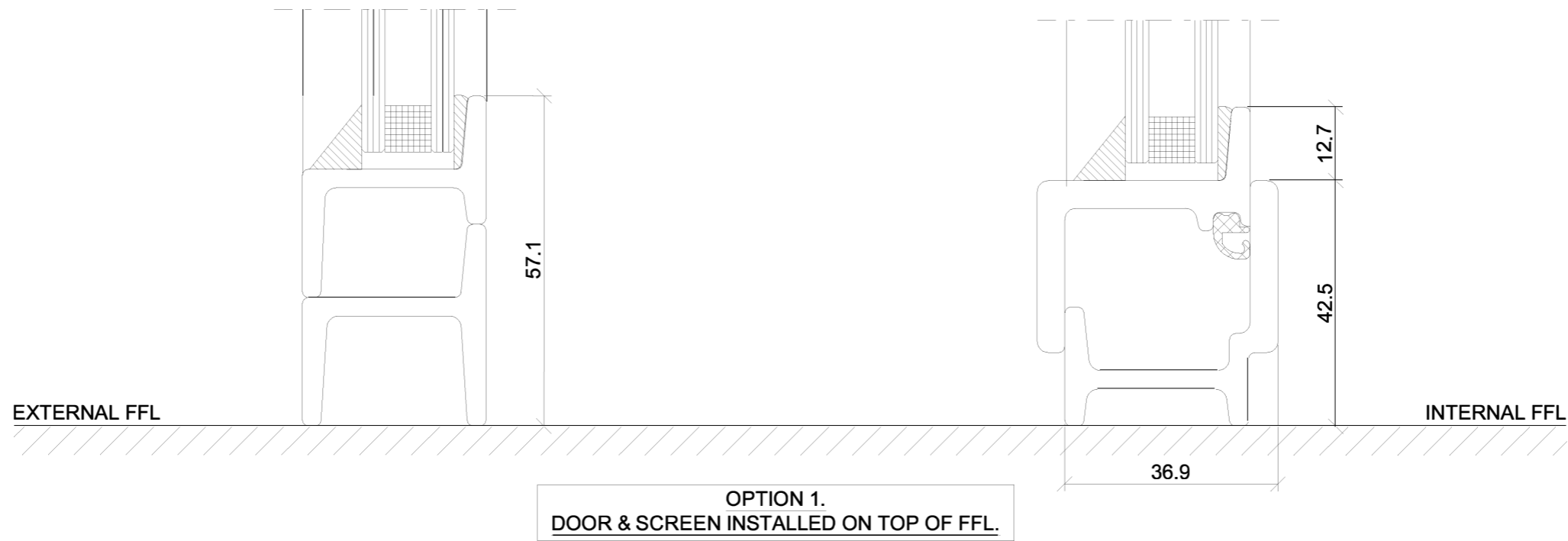


W20 Steel Door Measurement and Fixing Documents

Index

Typical W20 Door Sections, Thresholds & Floor Levels	Page 3
External Door Site Dimensions (Upstand)	Page 4
External Door Site Dimensions (Flush)	Page 5
Position of Frames in newly formed openings	Page 6
Typical Pressed Steel Cill	Page 7
Timber Cill Rebate	Page 8
Internal Door Thresholds	Page 9
Internal Door Thresholds	Page 10
Glazing Details	Page 11
Typical Fixing for Timber, Brick & Stone	Page 12
Typical Fixing for Steel	Page 13
Fixing Strap Examples	Pages 14 – 15
Door Hinges	Page 16
Additional Fillet Sections	Page 17
Measurement Forms	Pages 18 - 19



Fabco Sanctuary

Unit 1 Hobbs New Barn
Climping, Littlehampton
West Sussex, BN17 5RE

Tel: 01903 718808 Fax: 01903 718903
Email: enquiries@fabcosanctuary.com

SPECIFICATION:

PROJECT NAME :

XXXX

DATE: 02 DECEMBER 2015

DRAWN:

PROJECT No :

XXXX

PAGE SIZE: A3

SCALE: 1:1

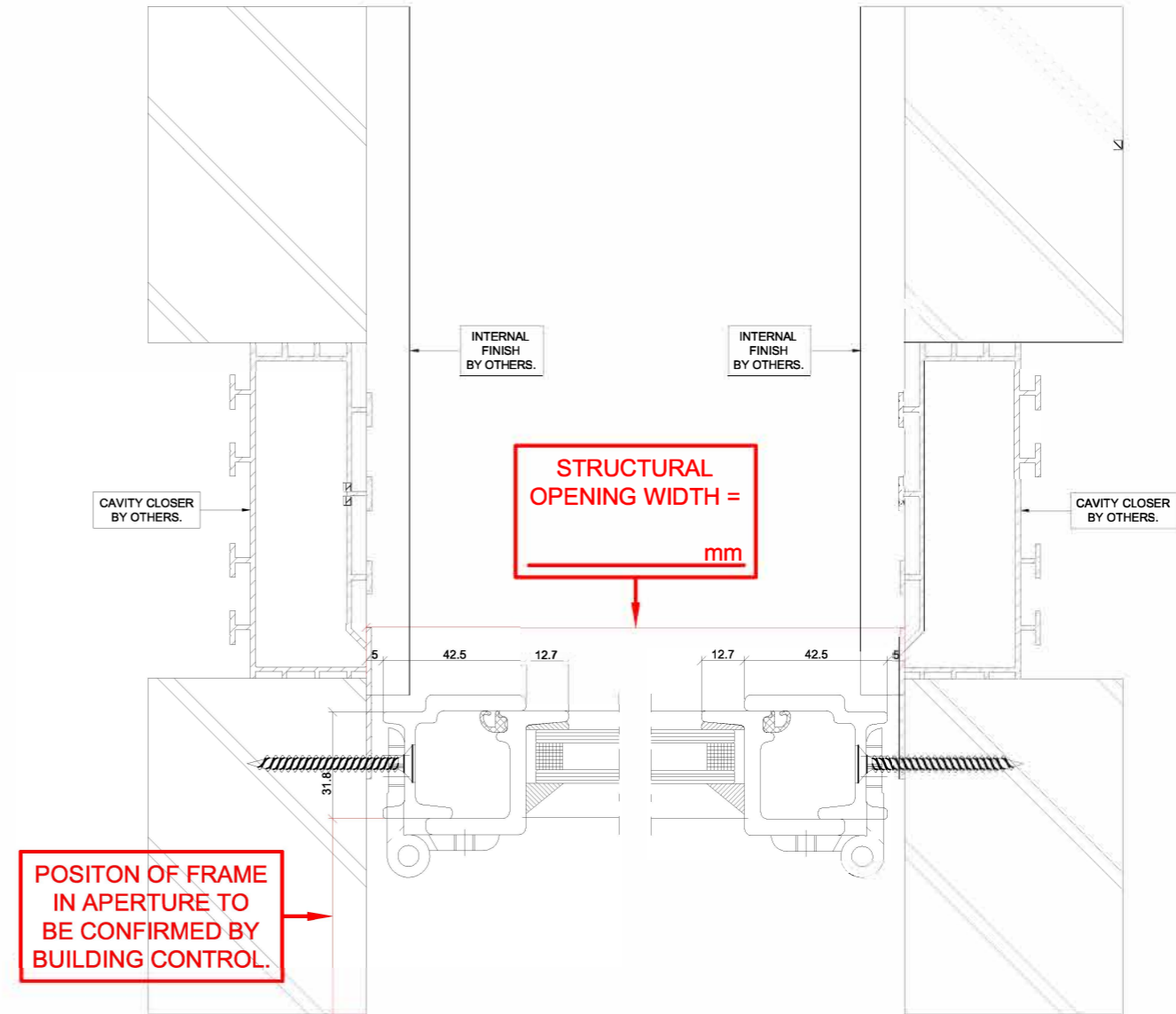
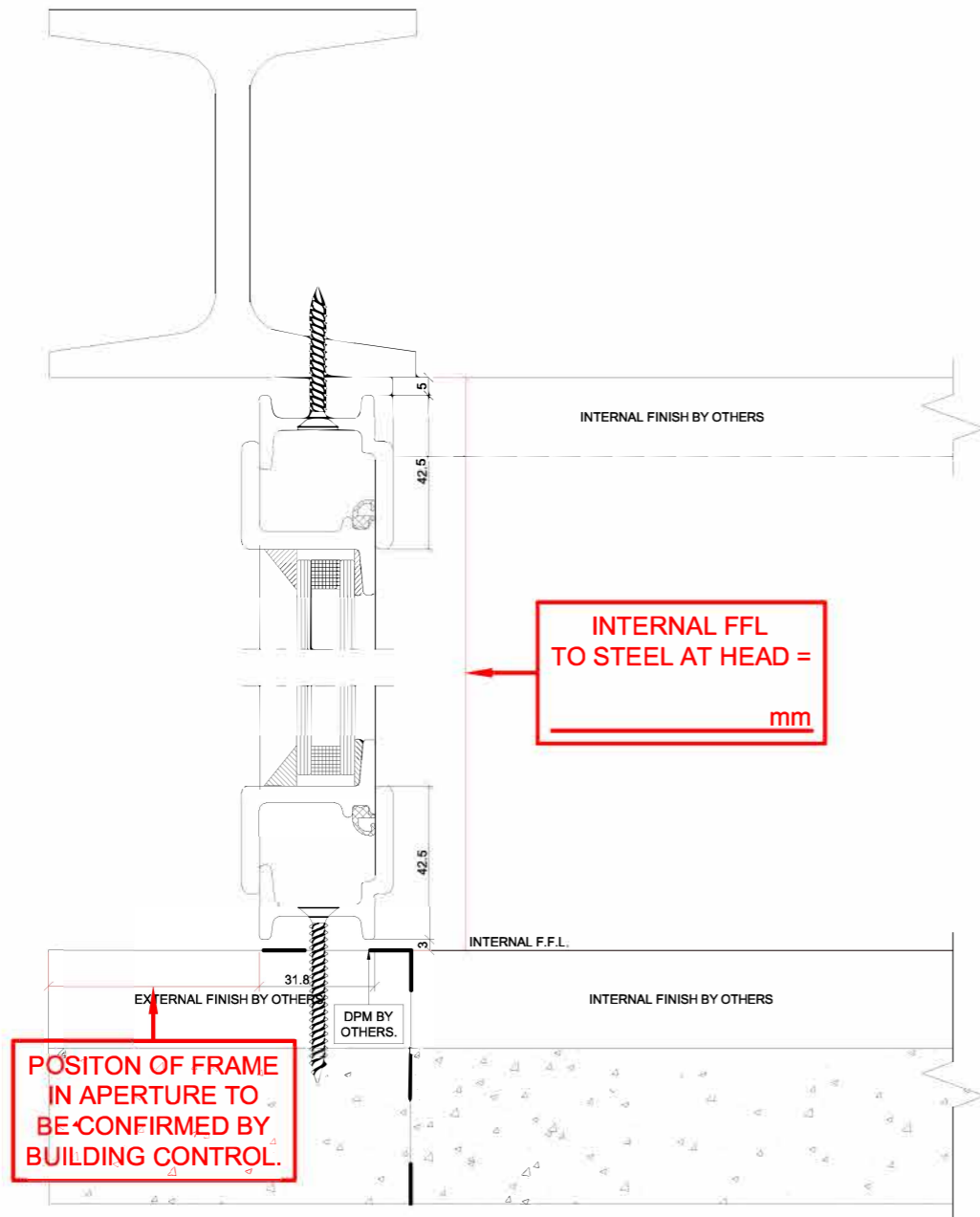
TITLE :

THRESHOLD DETAILS & FLOOR LEVELS

DRAWING No:

XXXX-1

REVISION: A 27/07/2017



Fabco Sanctuary

Unit 1 Hobbs New Barn
 Climping, Littlehampton
 West Sussex, BN17 5RE

Tel: 01903 718808 Fax: 01903 718903
 Email: enquiries@fabcosanctuary.com

SPECIFICATION:
 DOORS WITH OPTION 1 THRESHOLD. (UPSTAND)

PROJECT NAME :

PROJECT No :

TITLE :

SITE DIMENSIONS

REVISION:

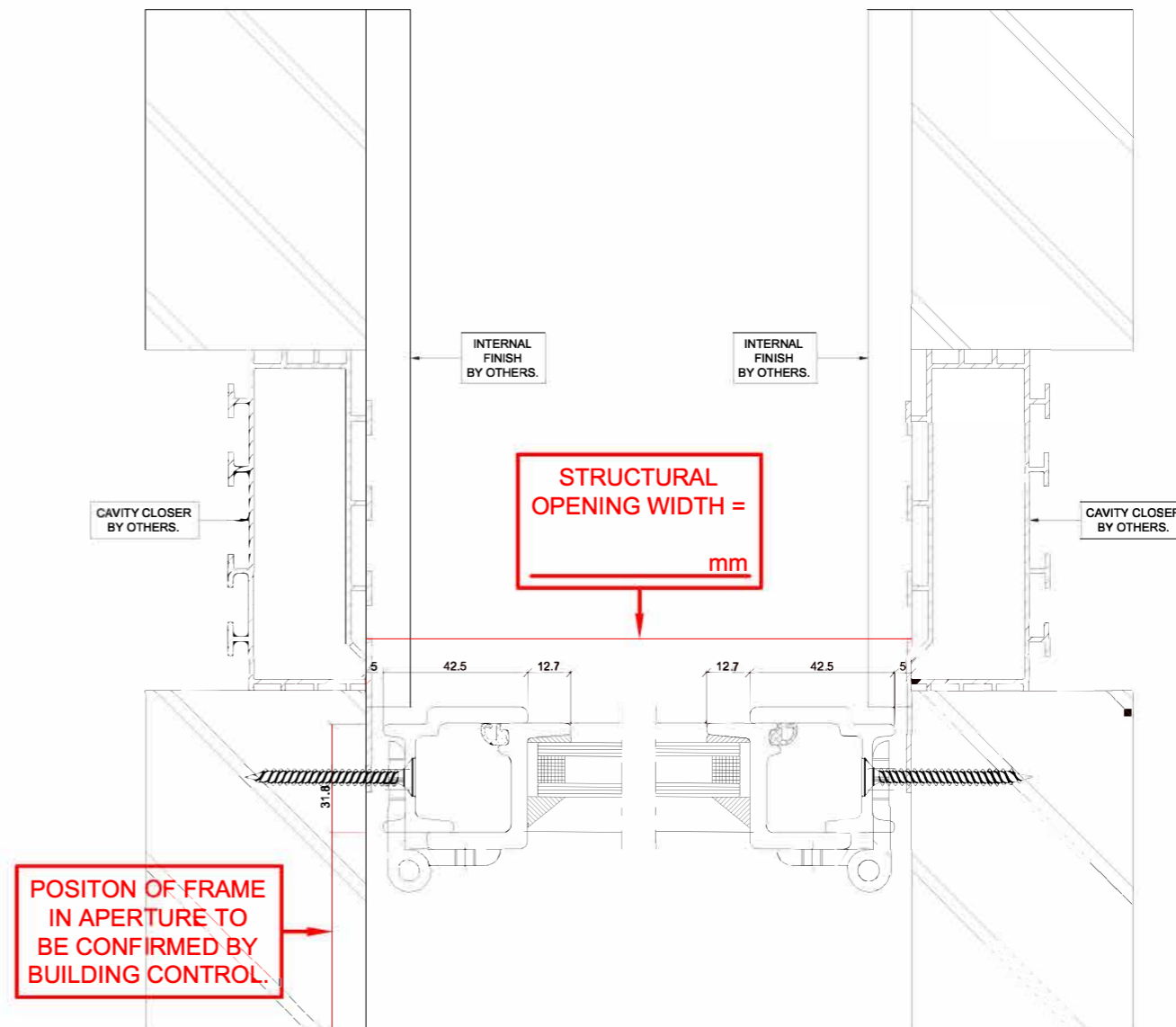
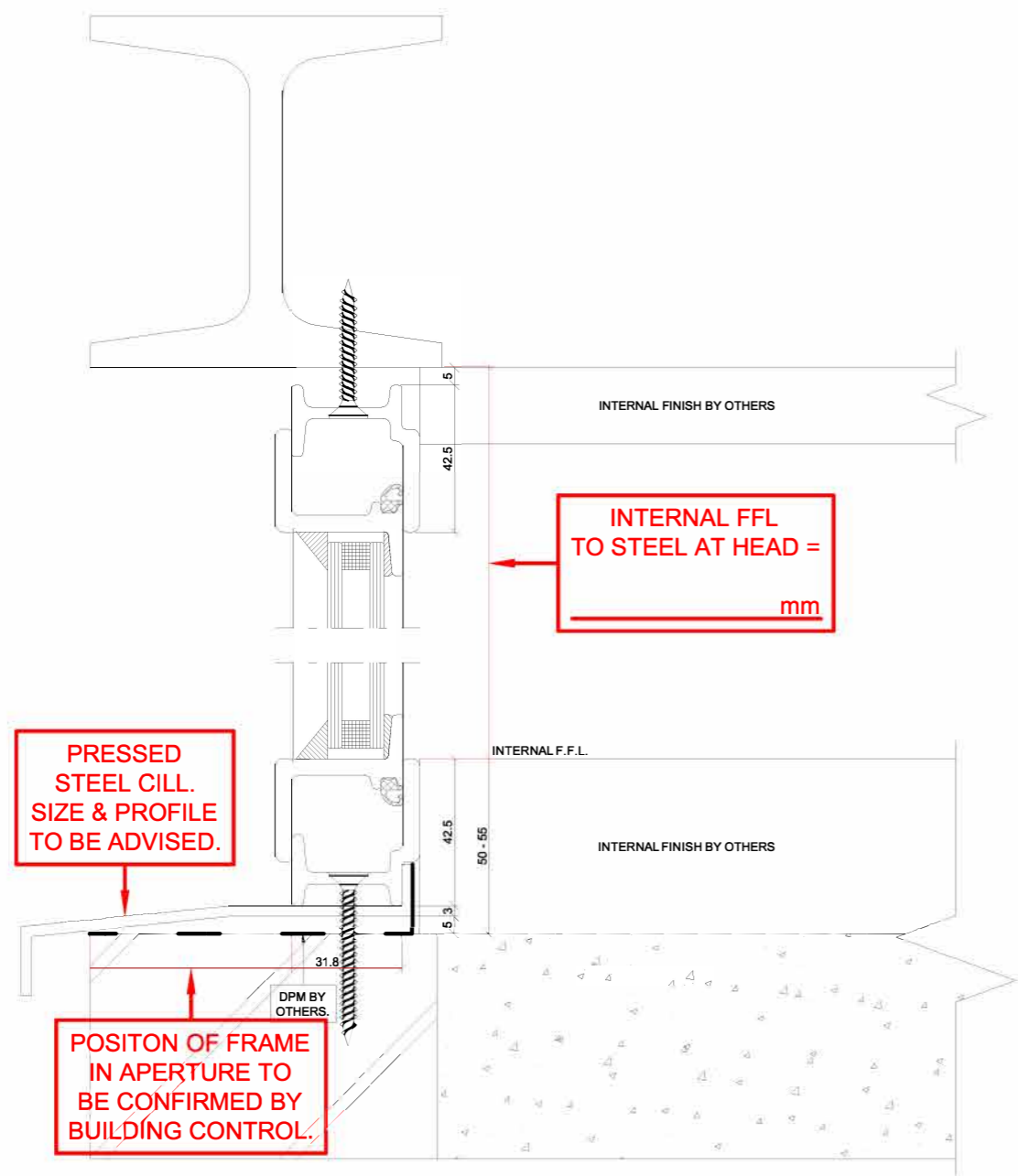
DATE: 25 AUGUST 2017

DRAWN:

PAGE SIZE: A3

SCALE: 1:2

DRAWING No:



Fabco Sanctuary

Unit 1 Hobbs New Barn
 Climping, Littlehampton
 West Sussex, BN17 5RE

Tel: 01903 718808 Fax: 01903 718903
 Email: enquiries@fabcosanctuary.com

SPECIFICATION:
 DOORS WITH OPTION 2 THRESHOLD. (FLUSH)

PROJECT NAME :

PROJECT No :

TITLE :

SITE DIMENSIONS

REVISION:

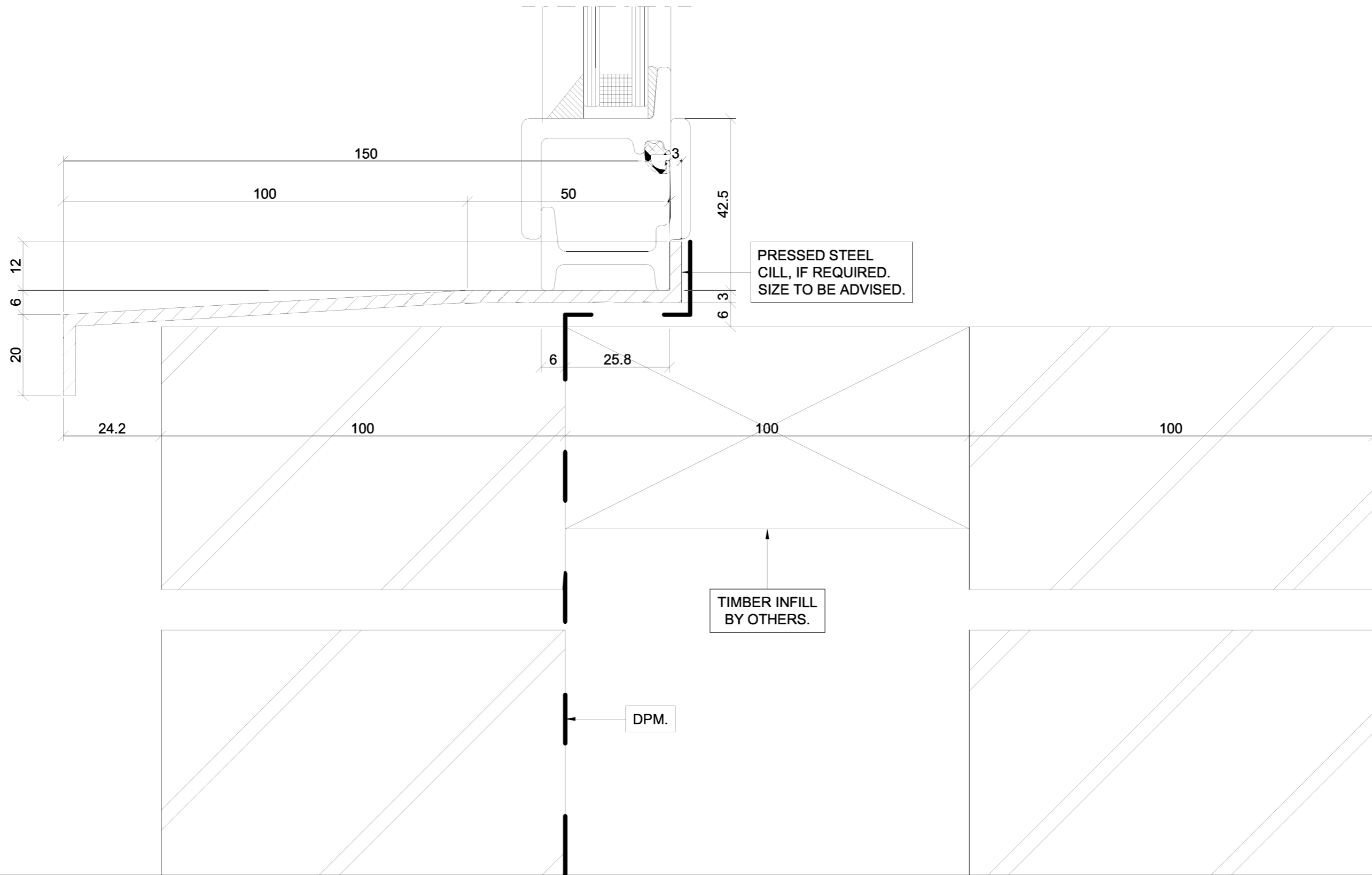
DATE: 25 AUGUST 2017

DRAWN:

PAGE SIZE: A3

SCALE: 1:2

DRAWING No:



Fabco Sanctuary

Unit 1 Hobbs New Barn
 Climping, Littlehampton
 West Sussex, BN17 5RE

Tel: 01903 718808 Fax: 01903 718903
 Email: enquiries@fabcosanctuary.com

SPECIFICATION:
POSITION OF FRAMES IN NEWLY FORMED OPENINGS.

PROJECT NAME : **XXXX**

PROJECT No : **XXXX**

TITLE : **POSITION OF FRAMES**

REVISION:

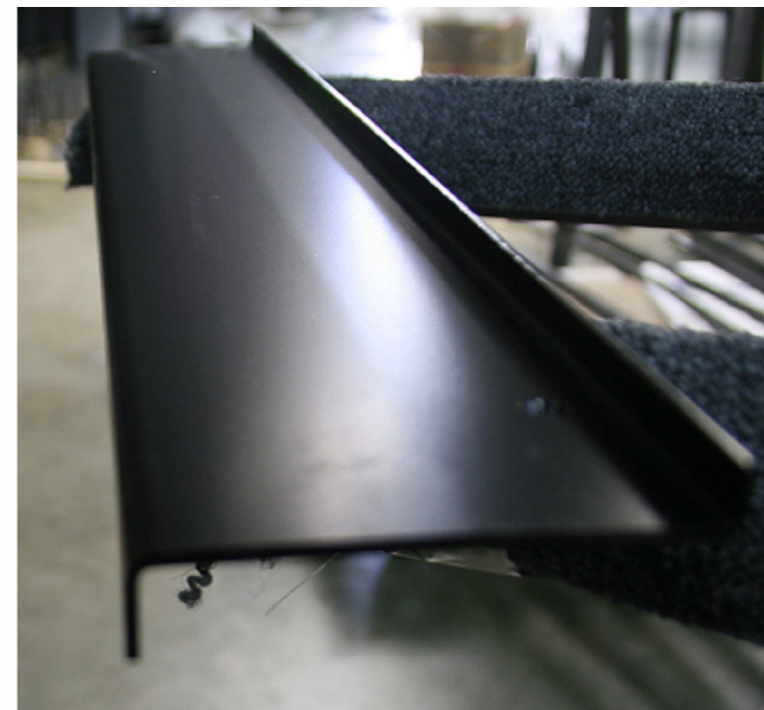
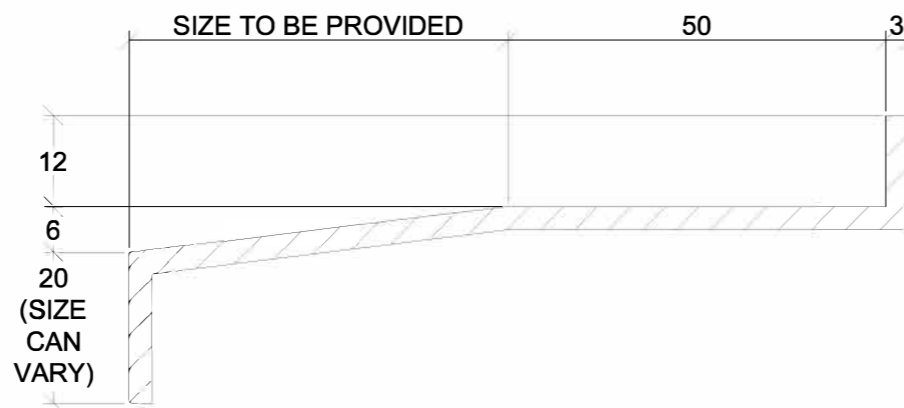
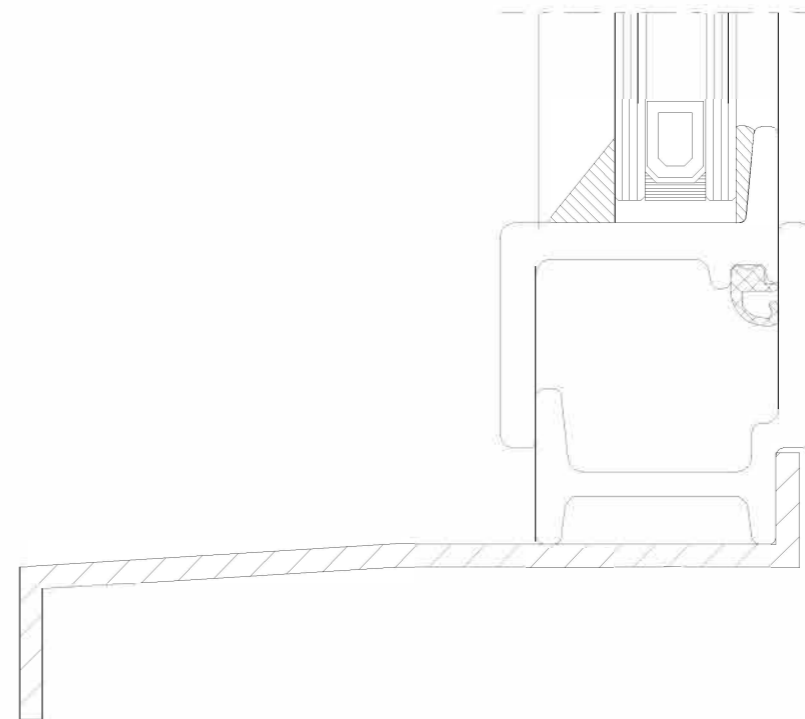
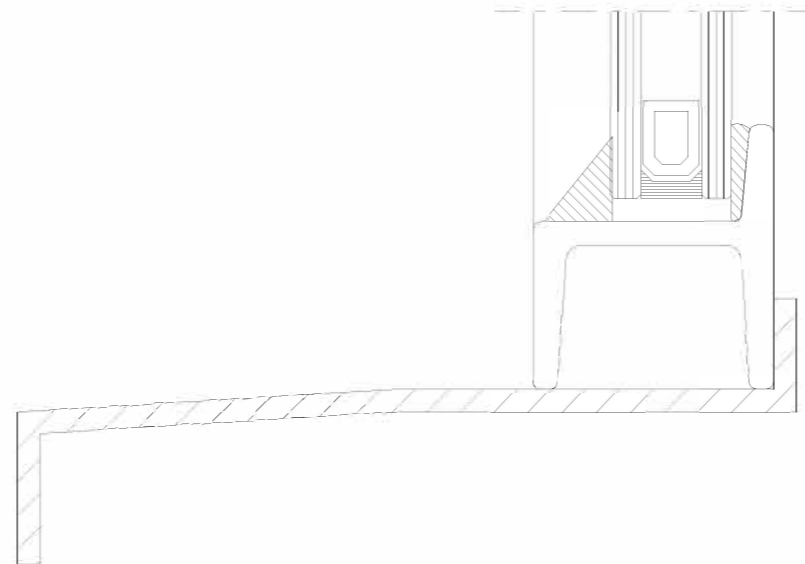
DATE: **23 JUNE 2016**

DRAWN:

PAGE SIZE: **A3**

SCALE: **1:1**

DRAWING No: **XXXX-1**



Fabco Sanctuary

Unit 1 Hobbs New Barn
 Climping, Littlehampton
 West Sussex, BN17 5RE

Tel: 01903 718808 Fax: 01903 718903
 Email: enquiries@fabcosanctuary.com

SPECIFICATION:
3mm GALVANISED STEEL PLATE.

PROJECT NAME :

PROJECT No :

TITLE :

TYPICAL PRESSED STEEL CILL

REVISION:

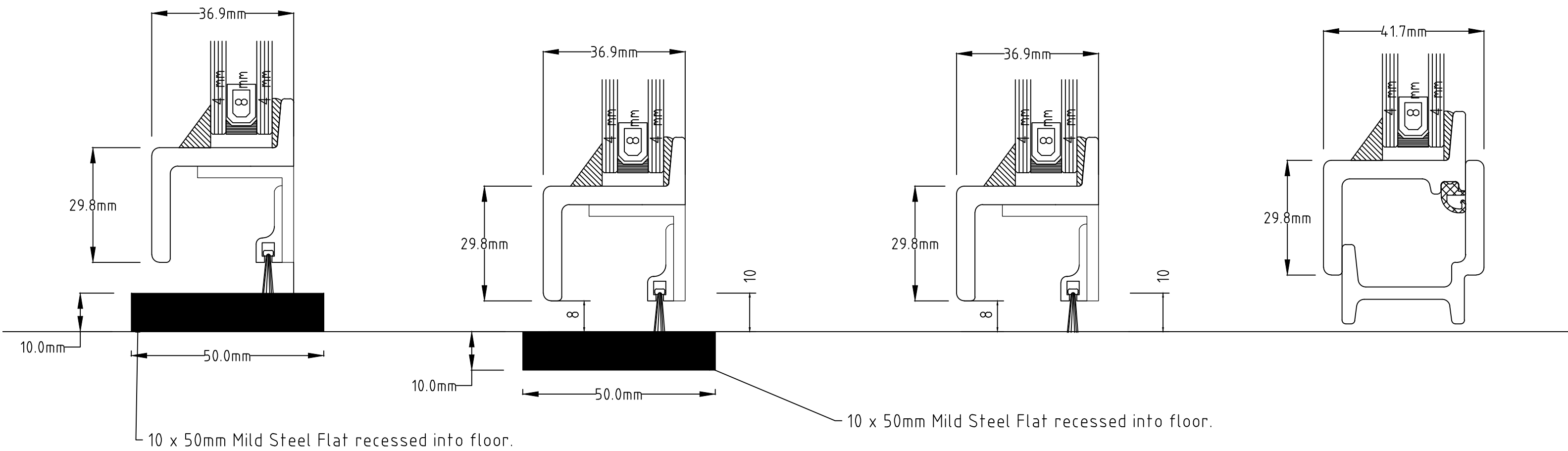
DATE: **JANUARY 2017**

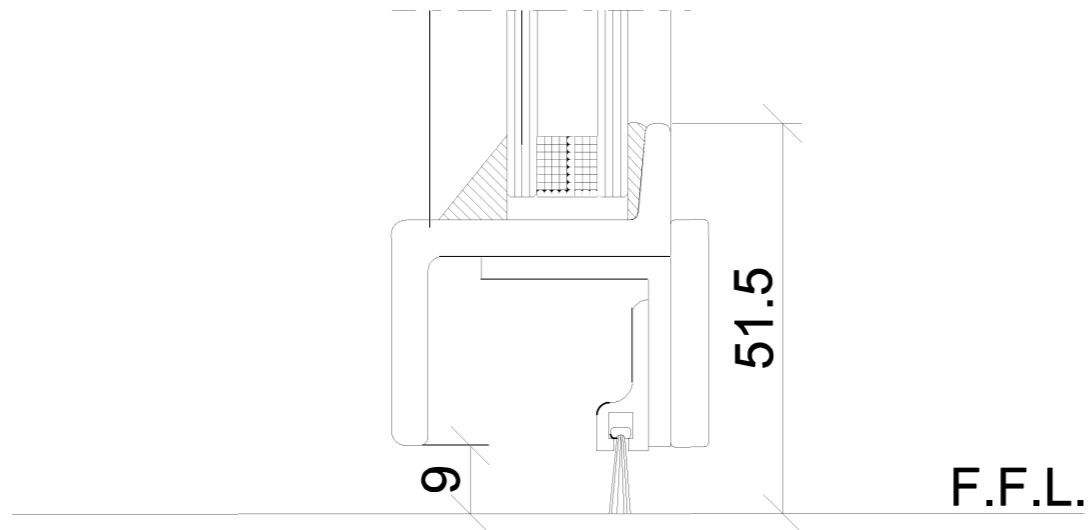
DRAWN:

PAGE SIZE: **A3**

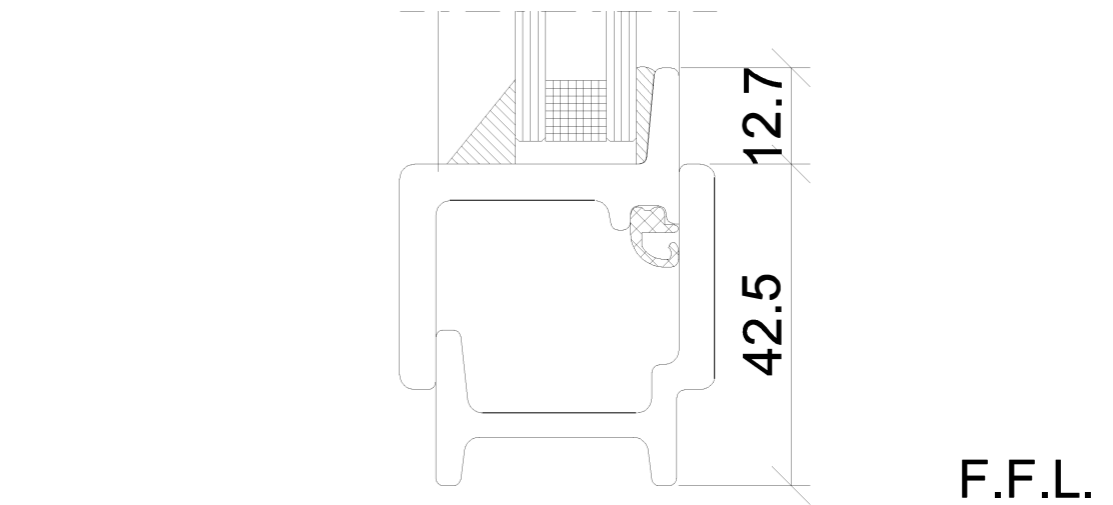
SCALE: **1:1**

DRAWING No:





NO THRESHOLD
WITH NO UPSTAND



STANDARD THRESHOLD
WITH UPSTAND

Fabco Sanctuary

Unit 1 Hobbs New Barn
Climping, Littlehampton
West Sussex, BN17 5RE

Tel: 01903 718808 Fax: 01903 718903
Email: enquiries@fabcosanctuary.com

SPECIFICATION:

PROJECT NAME : XXXXX

PROJECT No : XXXXX

TITLE : THRESHOLD OPTIONS

REVISION:

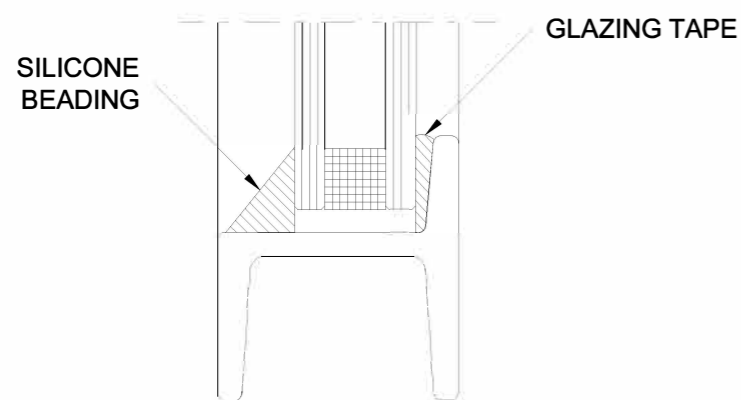
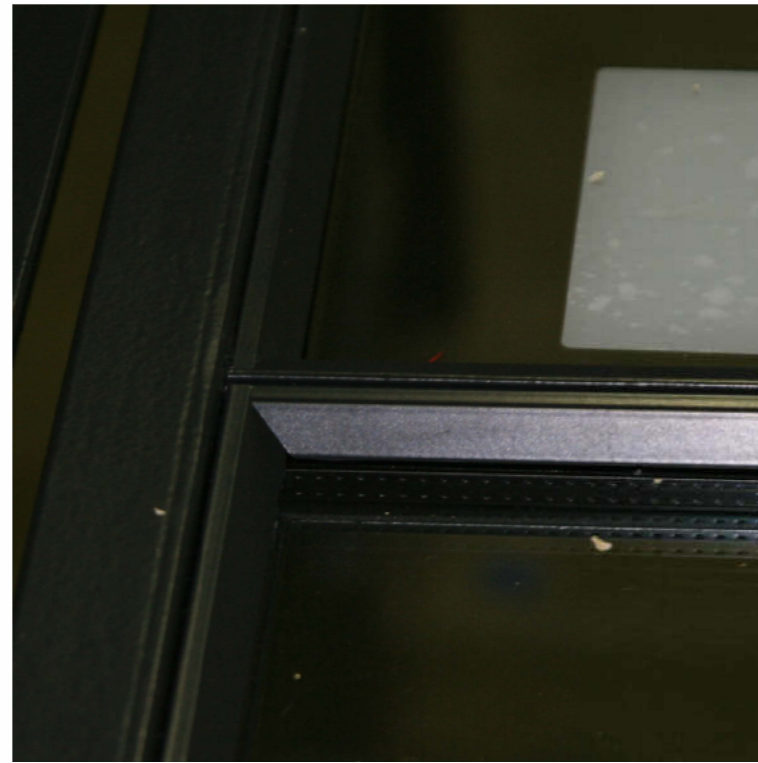
DATE: 07 FEBRUARY 2017

DRAWN:

PAGE SIZE: A3

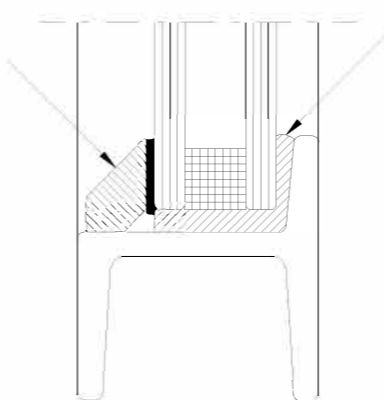
SCALE: 1:1

DRAWING No: 2



**SILICONE BEADING.
INCLUDED AS STANDARD.**

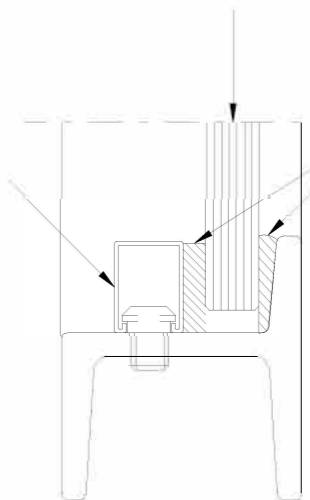
ALUMINIUM BEADING
APPLIED TO GLASS
WITH DOUBLE SIDED
GLAZING TAPE.



**ALUMINIUM BEADING.
ADDITIONAL £5.00 + VAT
PER LINEAR METRE.**

GLASS TO BE
FULLY BEDDED
IN SILICONE.

STEEL BEADING
FITTED ON STEEL
BEAD STUDS



**STEEL BEADING.
ADDITIONAL £27.00 + VAT
PER LINEAR METRE.**

7.2mm PYROGUARD
30mm INTEGRITY ONLY
FIRE GLASS

FIRE RETARDANT
GLAZING TAPE
BOTH SIDES, CAPPED
WITH FIRE RETARDANT
SILICONE.

Fabco Sanctuary

Unit 1 Hobbs New Barn
Climping, Littlehampton
West Sussex, BN17 5RE

Tel: 01903 718808 Fax: 01903 718903
Email: enquiries@fabcosanctuary.com

SPECIFICATION:

PROJECT NAME :

XXXX

PROJECT No :

XXXX

TITLE :

GLAZING DETAILS

REVISION:

DATE: 10 MAY 2016

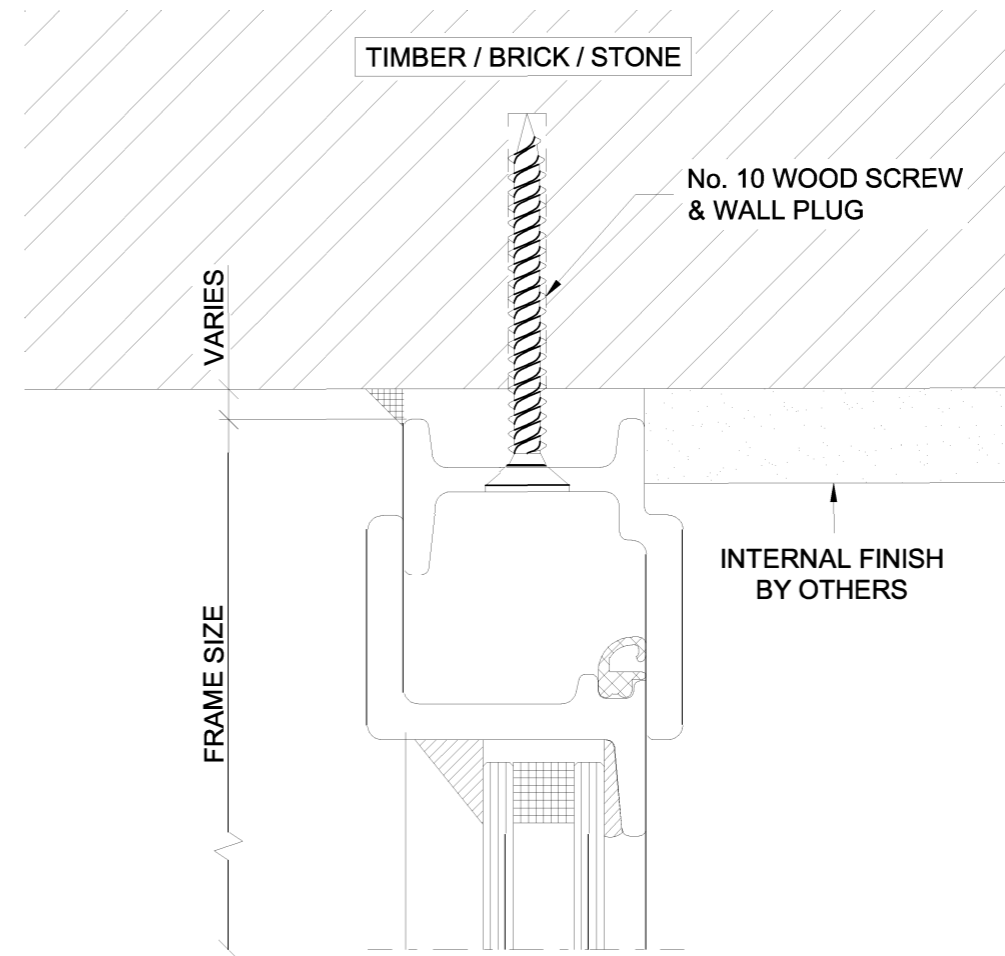
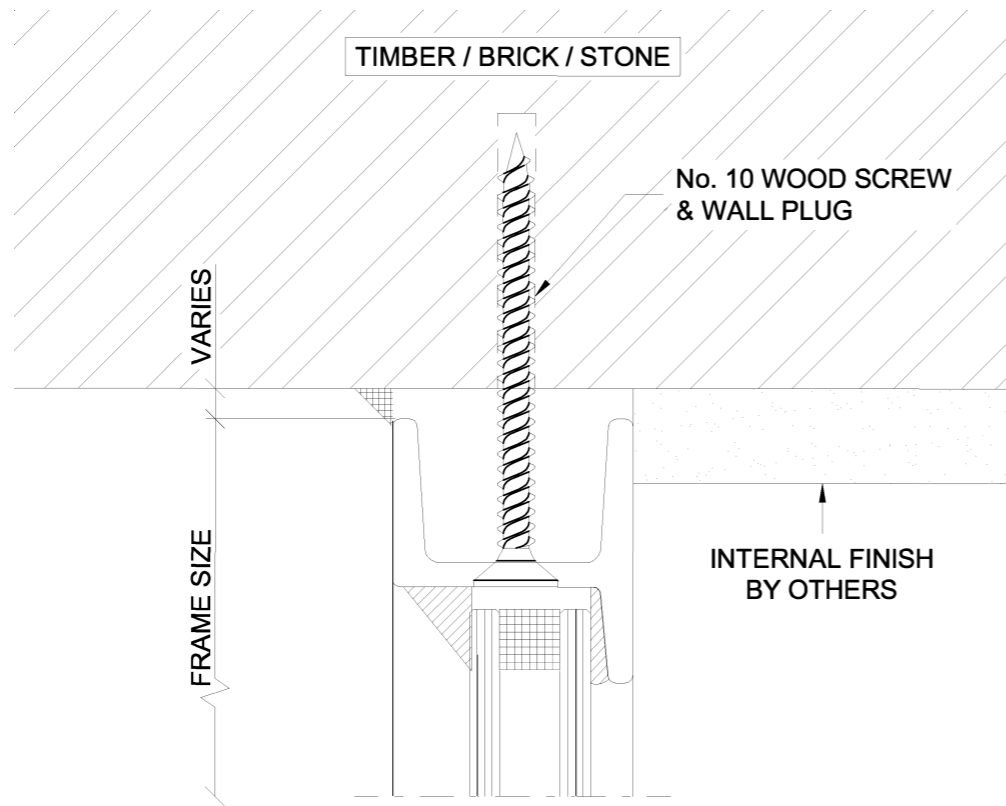
DRAWN:

PAGE SIZE: A3

SCALE: 1:1

DRAWING No:

XXXX-1



Fabco Sanctuary

Unit 1 Hobbs New Barn
 Climping, Littlehampton
 West Sussex, BN17 5RE

Tel: 01903 718808 Fax: 01903 718903
 Email: enquiries@fabcosanctuary.com

SPECIFICATION:

PROJECT NAME :

XXXX

DATE: 23 NOVEMBER 2016

PROJECT No :

XXXX

DRAWN:

PAGE SIZE: A3

TITLE :

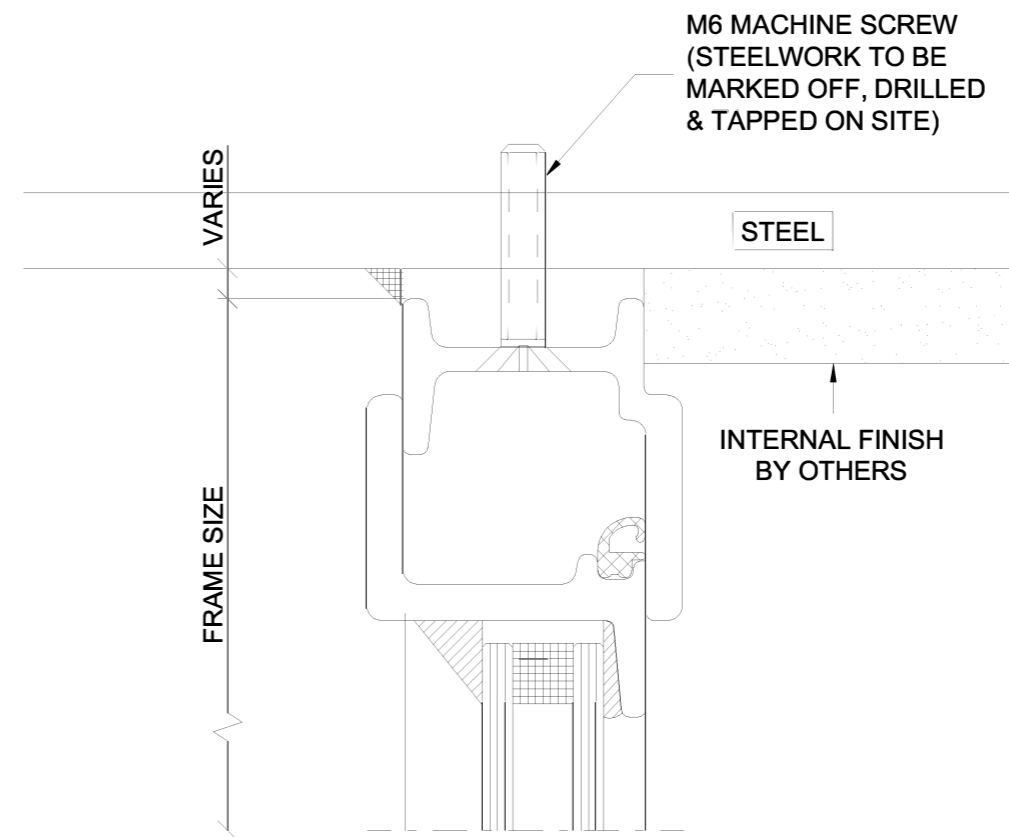
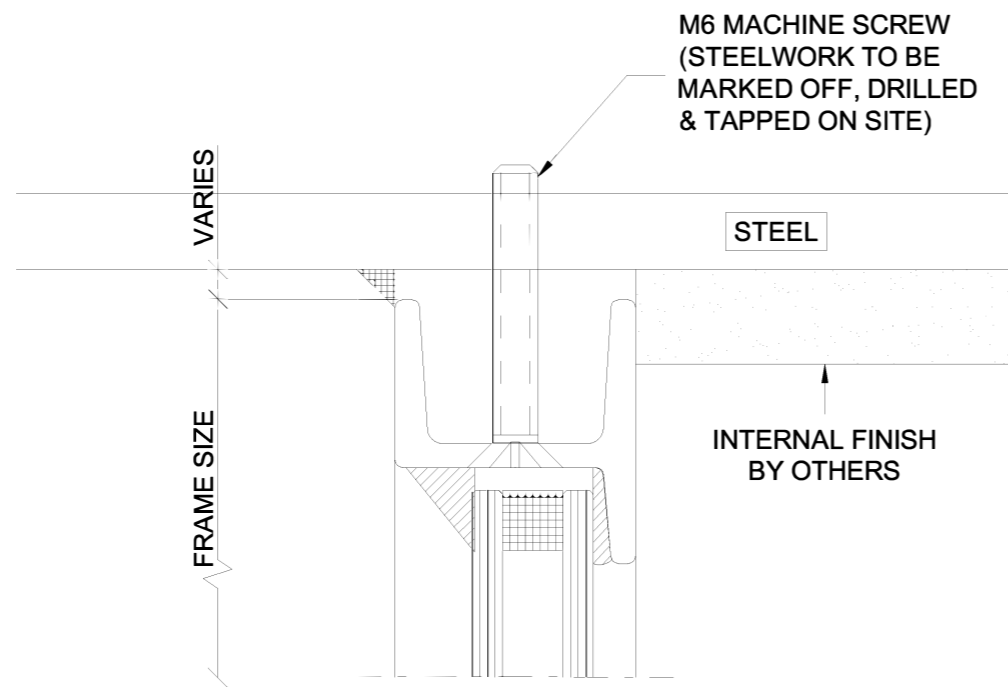
TYPICAL FIXING DETAIL

SCALE: 1:1

DRAWING No:

XXXX-1

REVISION:



Fabco Sanctuary

Unit 1 Hobbs New Barn
Climping, Littlehampton
West Sussex, BN17 5RE

Tel: 01903 718808 Fax: 01903 718903
Email: enquiries@fabcosanctuary.com

SPECIFICATION:

PROJECT NAME :

XXXX

DATE: 23 NOVEMBER 2016

PROJECT No :

XXXX

DRAWN:

PAGE SIZE: A3

TITLE :

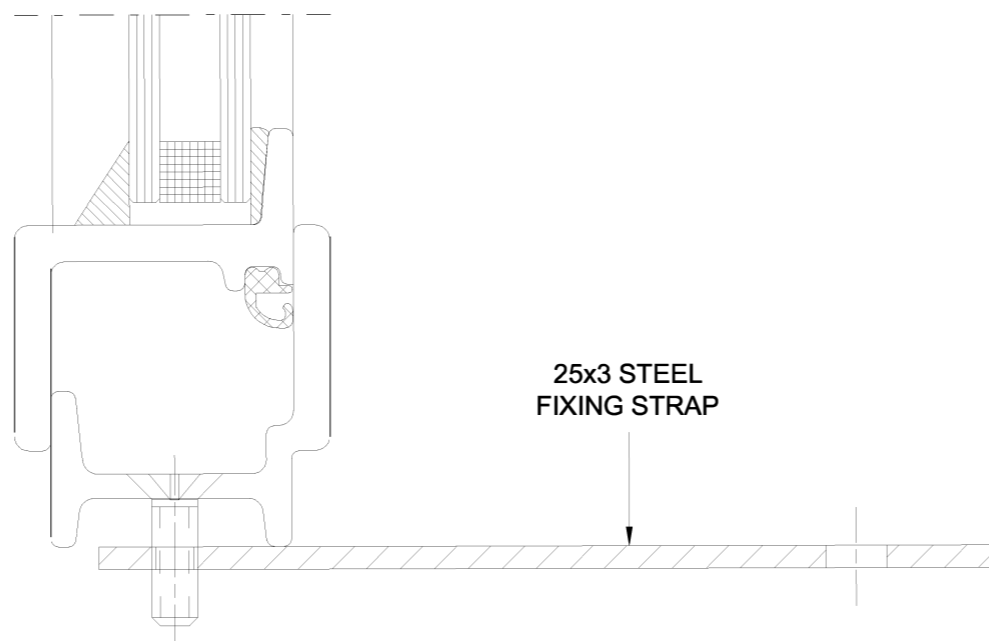
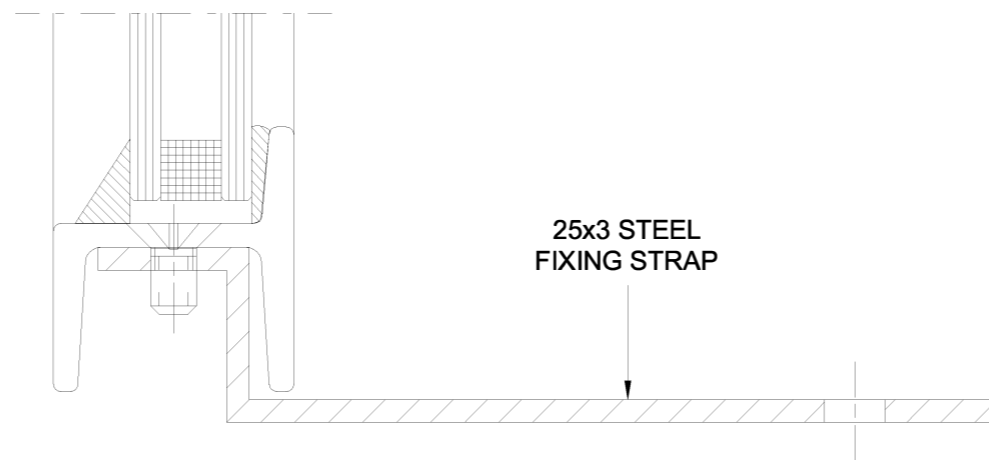
TYPICAL FIXING DETAIL

SCALE: 1:1

DRAWING No:

XXXX-2

REVISION:



Fabco Sanctuary

Unit 1 Hobbs New Barn
 Climping, Littlehampton
 West Sussex, BN17 5RE

Tel: 01903 718808 Fax: 01903 718903
 Email: enquiries@fabcosanctuary.com

SPECIFICATION:

PROJECT NAME : _____

PROJECT No : _____

TITLE : **TYPICAL FIXING STRAPS DETAIL**

REVISION:

--	--	--	--	--	--

DATE: **16 MAY 2017**

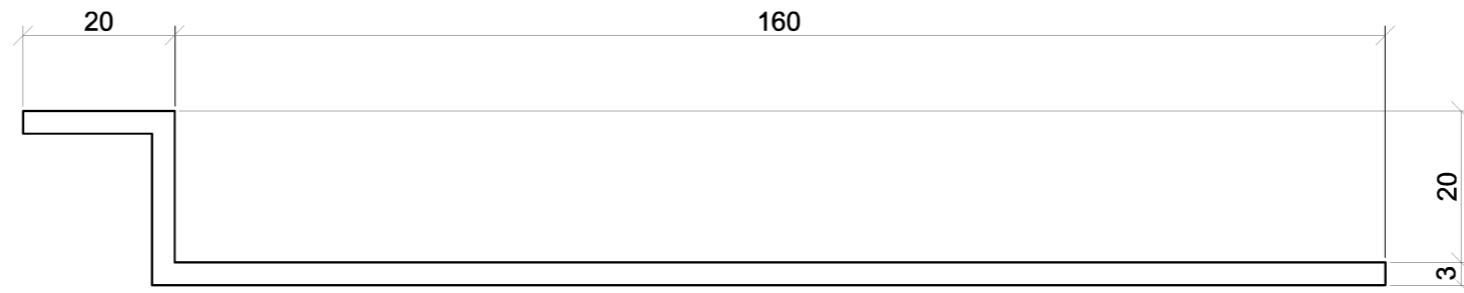
DRAWN: _____

PAGE SIZE: **A3**

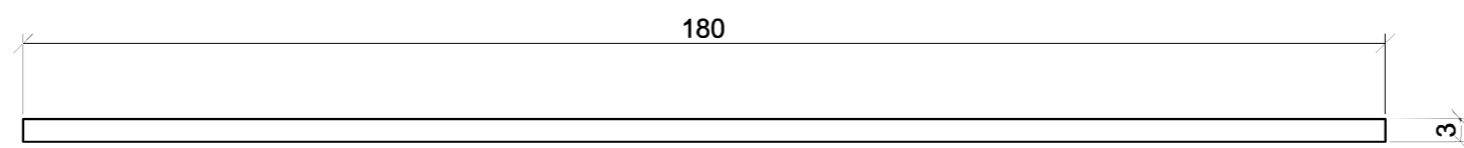
SCALE: **1:1**

DRAWING No: _____

--	--	--	--	--	--



30No. REQUIRED.
25mm WIDE.
3mm GALVANISED STEEL PLATE.



30No. REQUIRED.
25mm WIDE.
3mm GALVANISED STEEL PLATE.

Fabco Sanctuary

Unit 1 Hobbs New Barn
Climping, Littlehampton
West Sussex, BN17 5RE

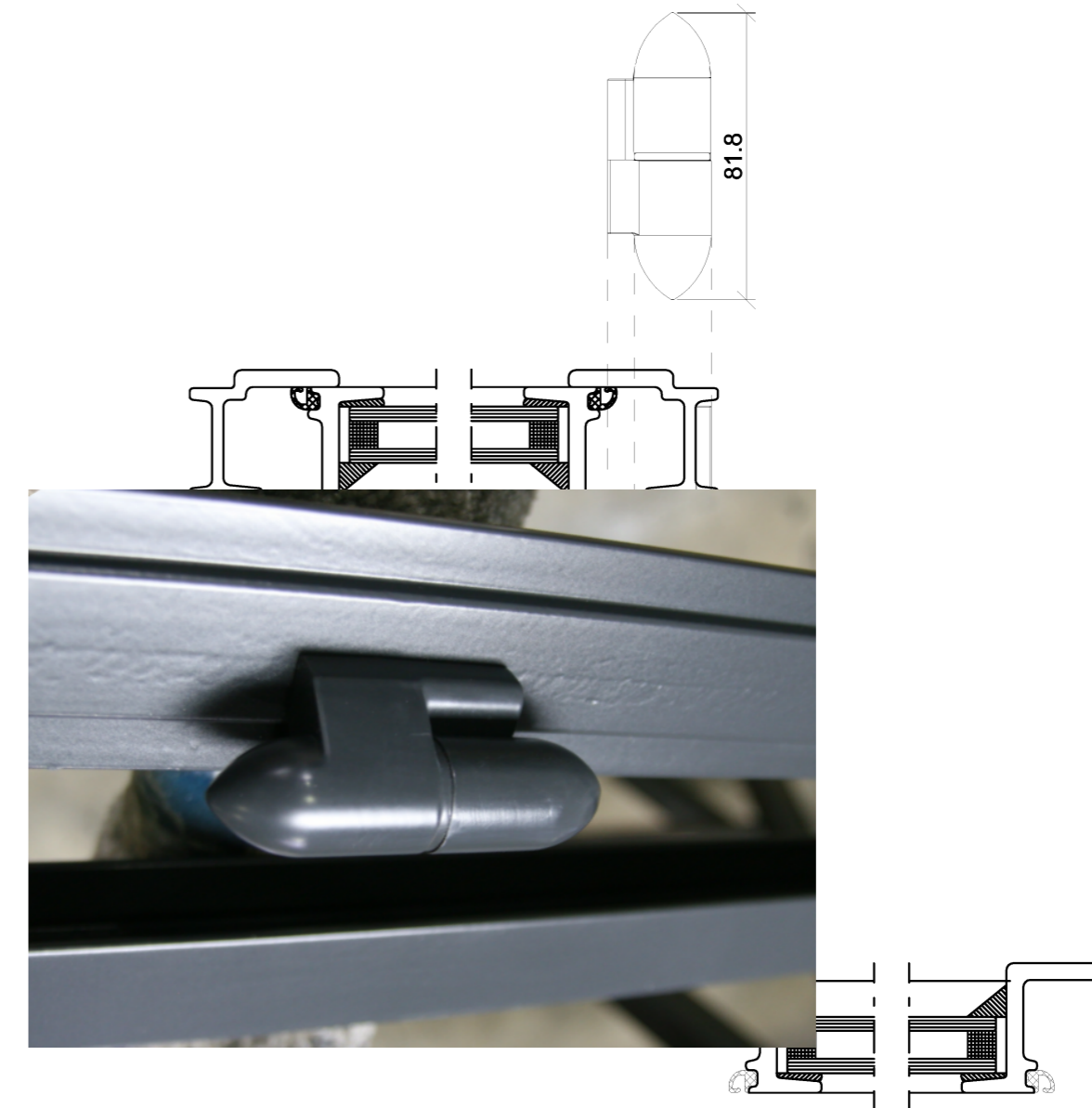
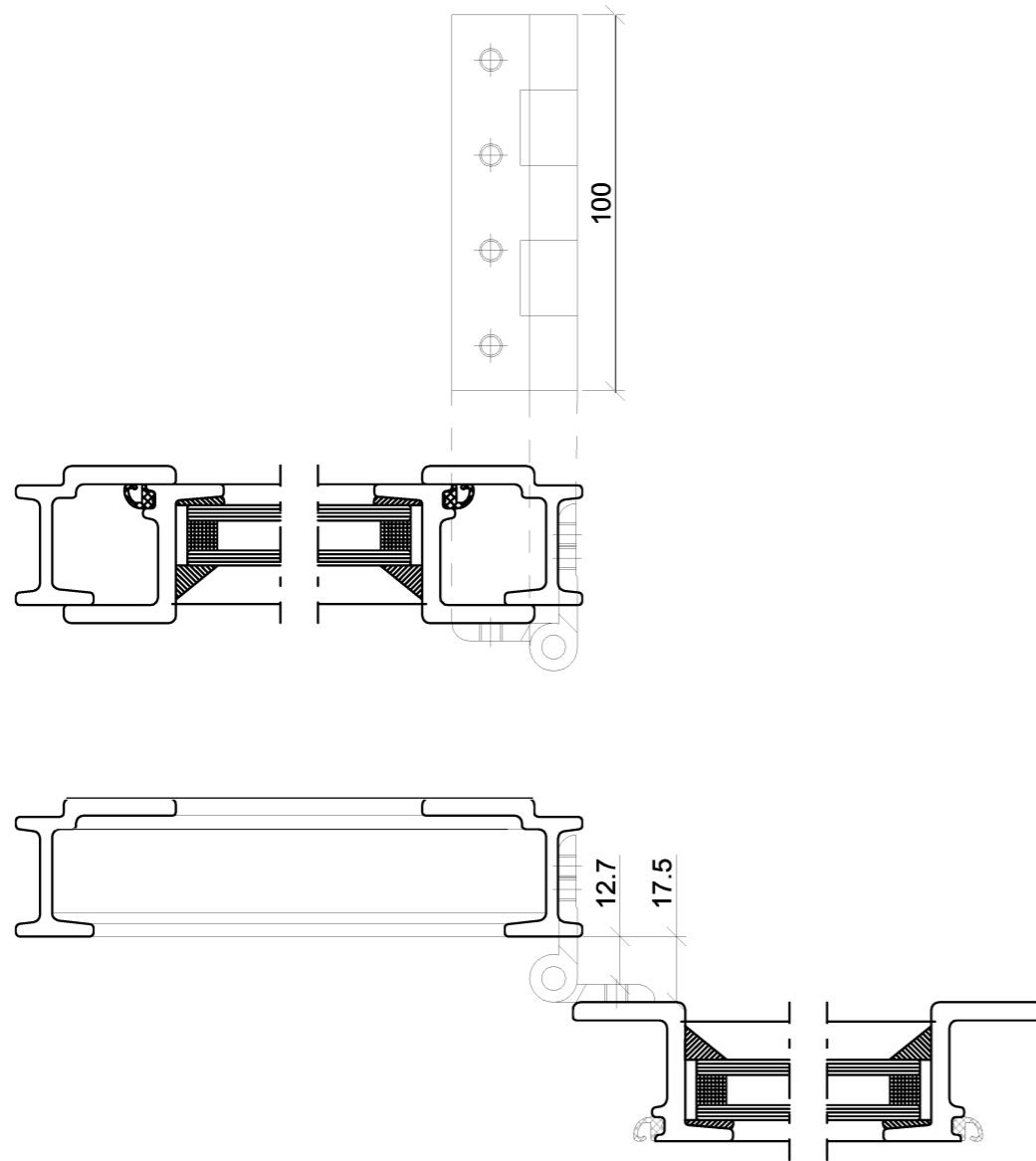
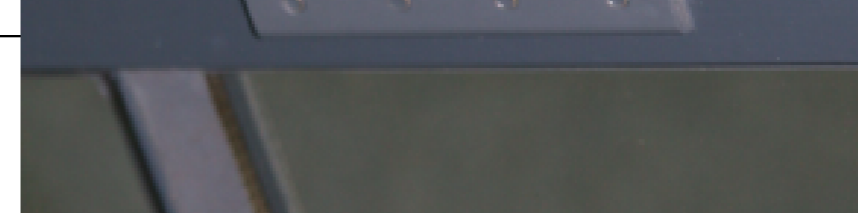
Tel: 01903 718808 Fax: 01903 718903
Email: enquiries@fabcosanctuary.com

SPECIFICATION:

PROJECT NAME :	
PROJECT No :	
TITLE :	FIXING STRAPS
REVISION:	

DATE:	26 AUGUST 2015
DRAWN:	
PAGE SIZE:	A3
SCALE:	1:1
DRAWING No:	1

STANDARD BUTT HINGES

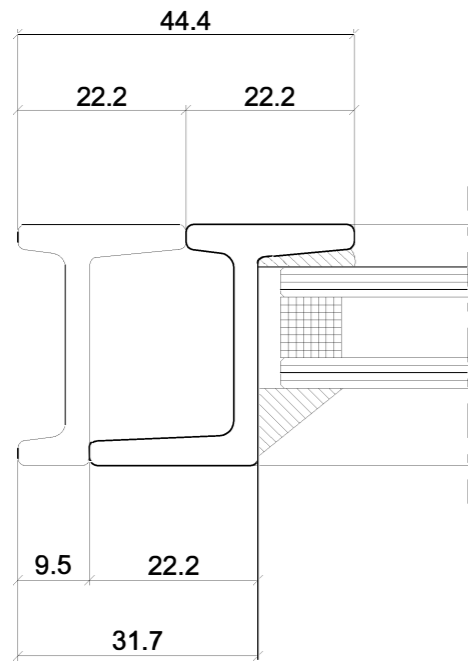


Fabco Sanctuary
 Unit 1 Hobbs New Barn
 Climping, Littlehampton
 West Sussex, BN17 5RE
 Tel: 01903 718808 Fax: 01903 718903
 Email: enquiries@fabcosanctuary.com

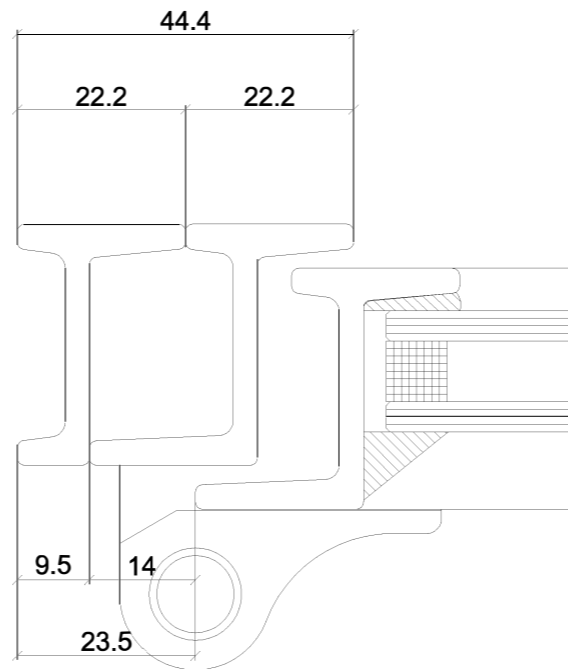
SPECIFICATION:

PROJECT NAME :	Door Hinges		
PROJECT No :			
TITLE :			
REVISION:			

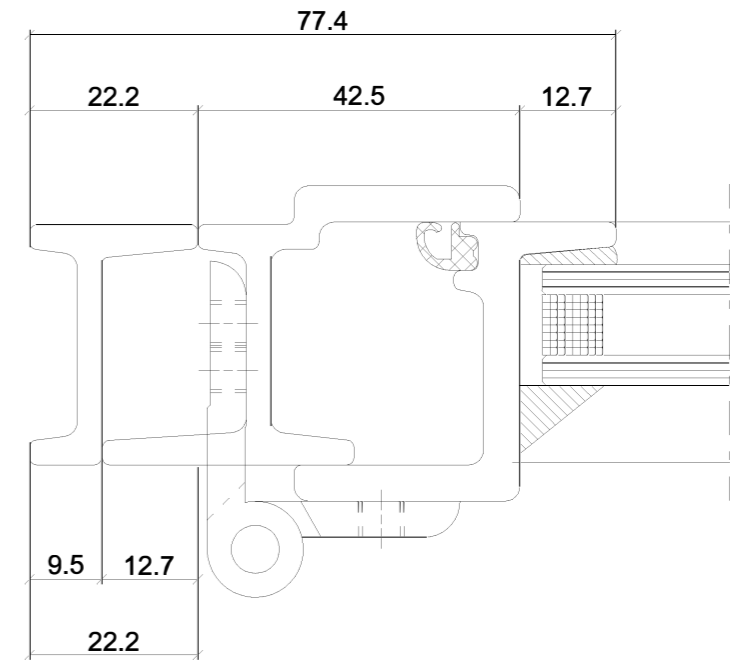
DATE:	
DRAWN:	
PAGE SIZE:	A3
SCALE:	1:2
DRAWING No:	



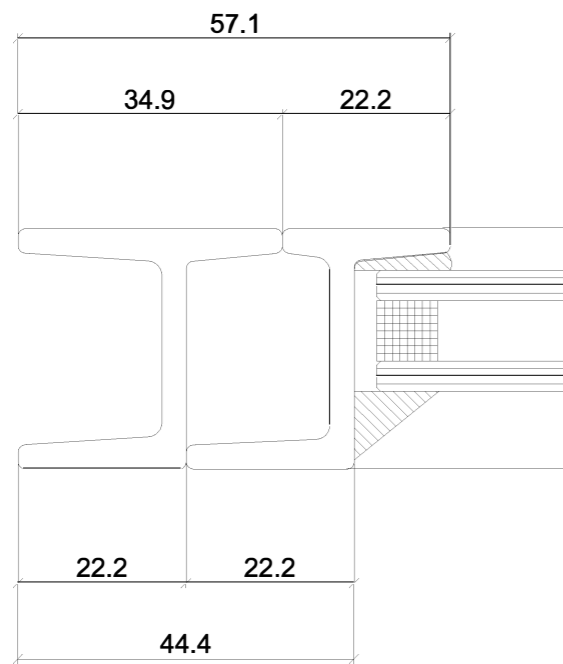
W7 FILLET TO FIXED LIGHT.



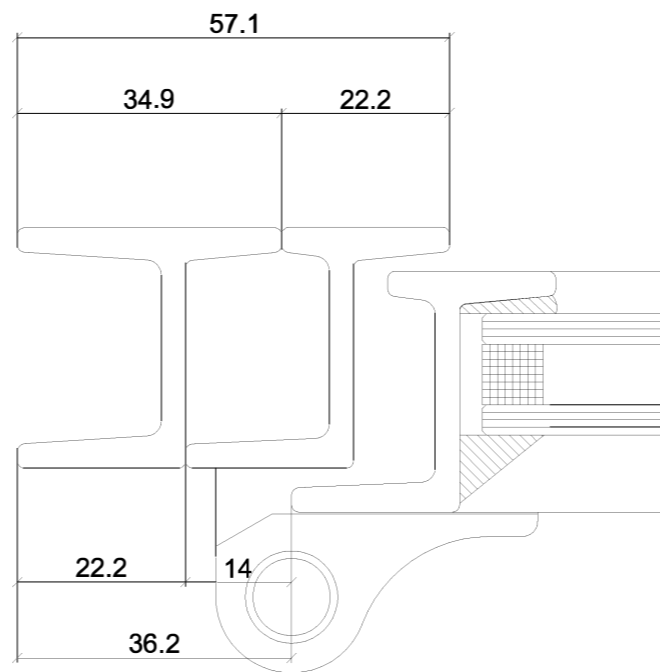
W7 FILLET TO OPENING VENT.



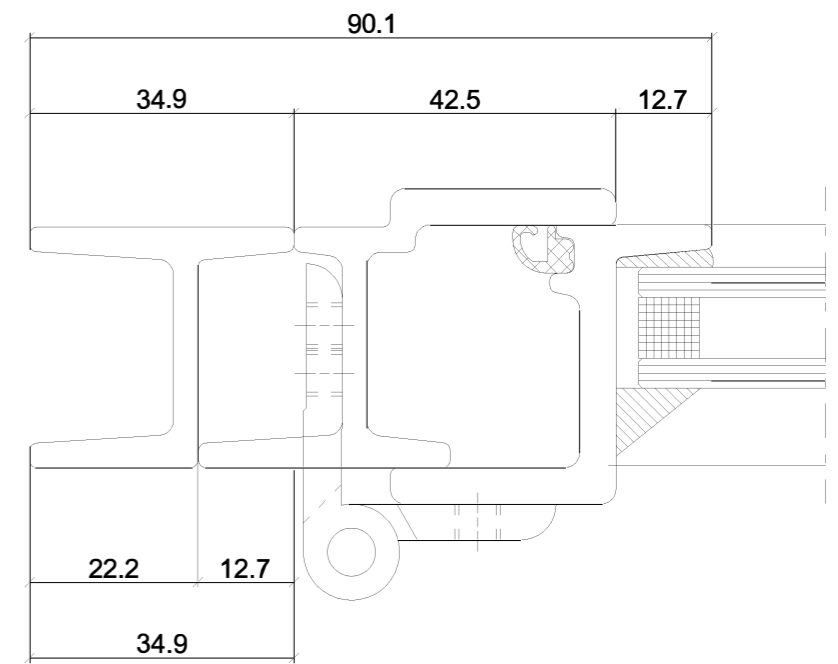
W7 FILLET TO DOOR.



W9 FILLET TO FIXED LIGHT.



W9 FILLET TO OPENING VENT.



W9 FILLET TO DOOR.

Fabco Sanctuary

Unit 1 Hobbs New Barn
 Climping, Littlehampton
 West Sussex, BN17 5RE

Tel: 01903 718808 Fax: 01903 718903
 Email: enquiries@fabcosanctuary.com

SPECIFICATION:

PROJECT NAME : XXXX

PROJECT No : XXXX

TITLE : FILLET SECTIONS

REVISION:

DATE: 29 MARCH 2016

DRAWN:

PAGE SIZE: A3

SCALE: 1:1

DRAWING No: XXXX-1

HEAD

CILL

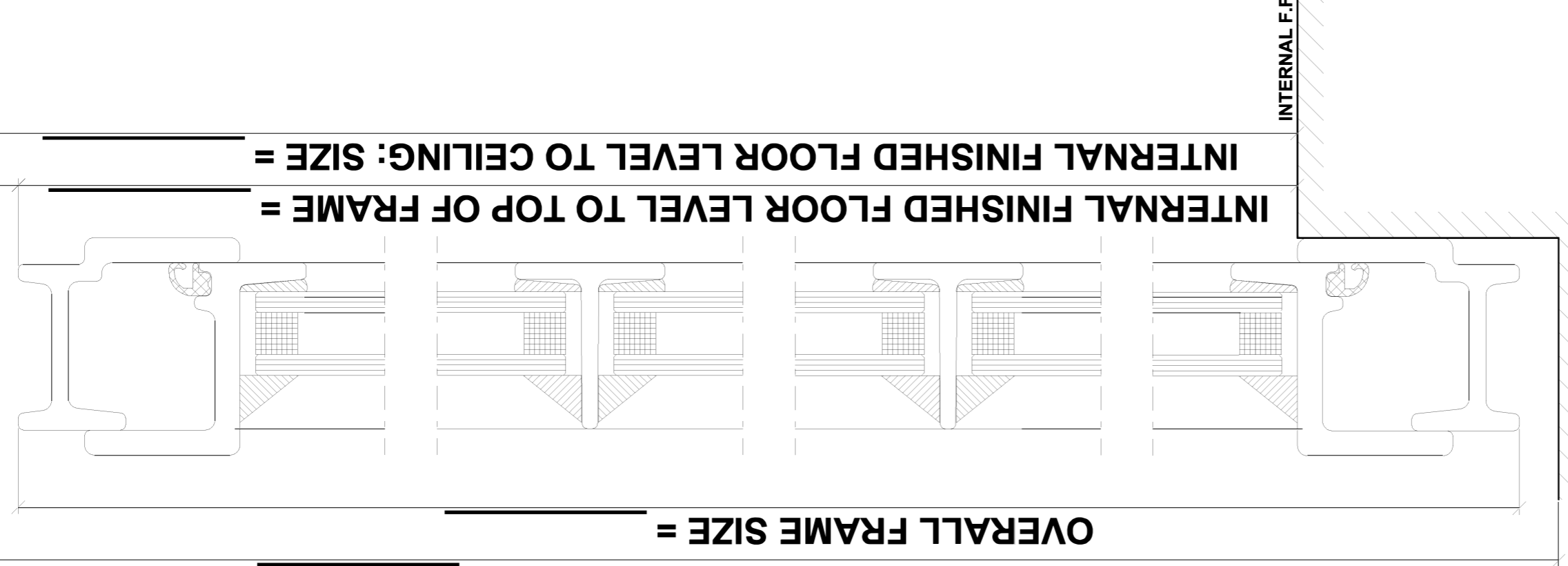
INTERNAL F.F.L.

INTERNAL FINISHED FLOOR LEVEL TO CEILING: SIZE =

INTERNAL FINISHED FLOOR LEVEL TO TOP OF FRAME =

OVERALL FRAME SIZE =

EXTERNAL FLOOR LEVEL TO CEILING: SIZE =



JOB REFERENCE:

SURVEYOR:	PRINT NAME	SIGNATURE	DATE
	SITE MANAGER:		

Fabco Sanctuary

Unit 1 Hobbs New Barn
Climping, Littlehampton
West Sussex, BN17 5RE

Tel: 01903 718808 Fax: 01903 718903
Email: enquiries@fabcosanctuary.com

SPECIFICATION:

PROJECT NAME : XXXX

PROJECT No : XXXX

TITLE : FLUSH THRESHOLD

REVISION:

DATE: AUGUST 2016

DRAWN:

PAGE SIZE: A3

SCALE: 1:1

DRAWING No: XXXX

HEAD

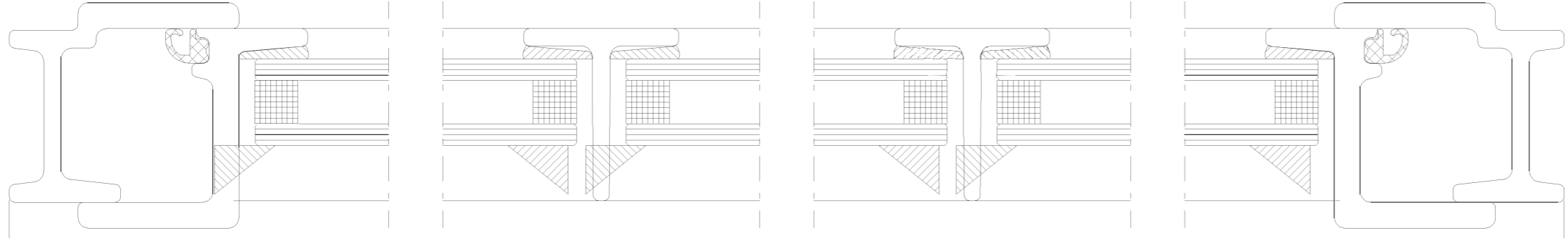
INTERNAL F.F.L.

CILL

INTERNAL FINISHED FLOOR LEVEL TO CEILING: SIZE =

OVERALL FRAME SIZE =

EXTERNAL FLOOR LEVEL TO CEILING: SIZE =



JOB REFERENCE:

SURVEYOR:	PRINT NAME	SIGNATURE	DATE
		SITE MANAGER:	

Fabco Sanctuary

Unit 1 Hobbs New Barn
Climping, Littlehampton
West Sussex, BN17 5RE

Tel: 01903 718808 Fax: 01903 718903
Email: enquiries@fabcosanctuary.com

SPECIFICATION:

PROJECT NAME : XXXX

PROJECT No : XXXX

TITLE : UPSTAND THRESHOLD

REVISION:

DATE: AUGUST 2016

DRAWN:

PAGE SIZE: A3

SCALE: 1:1

DRAWING No: XXXX