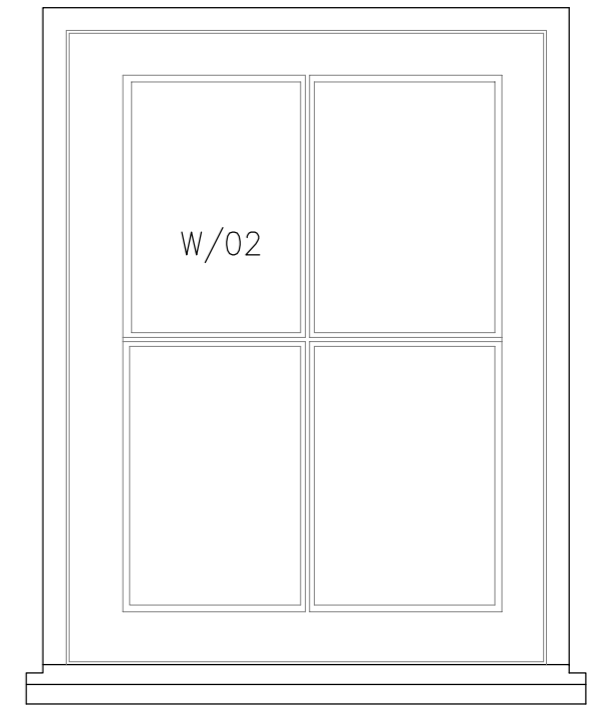
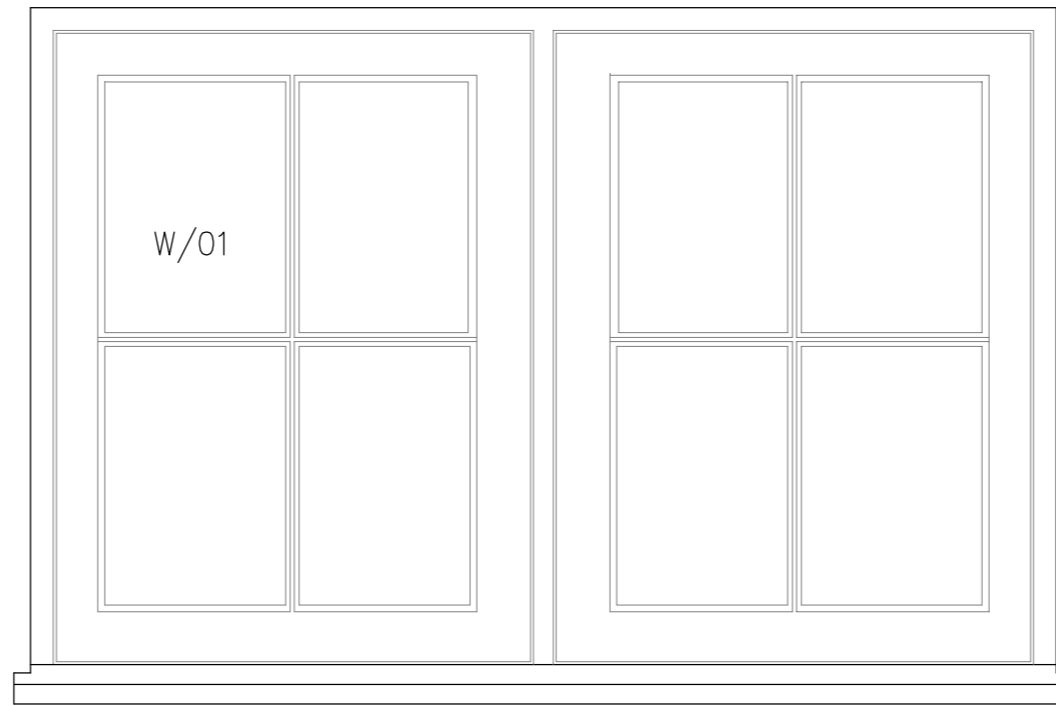
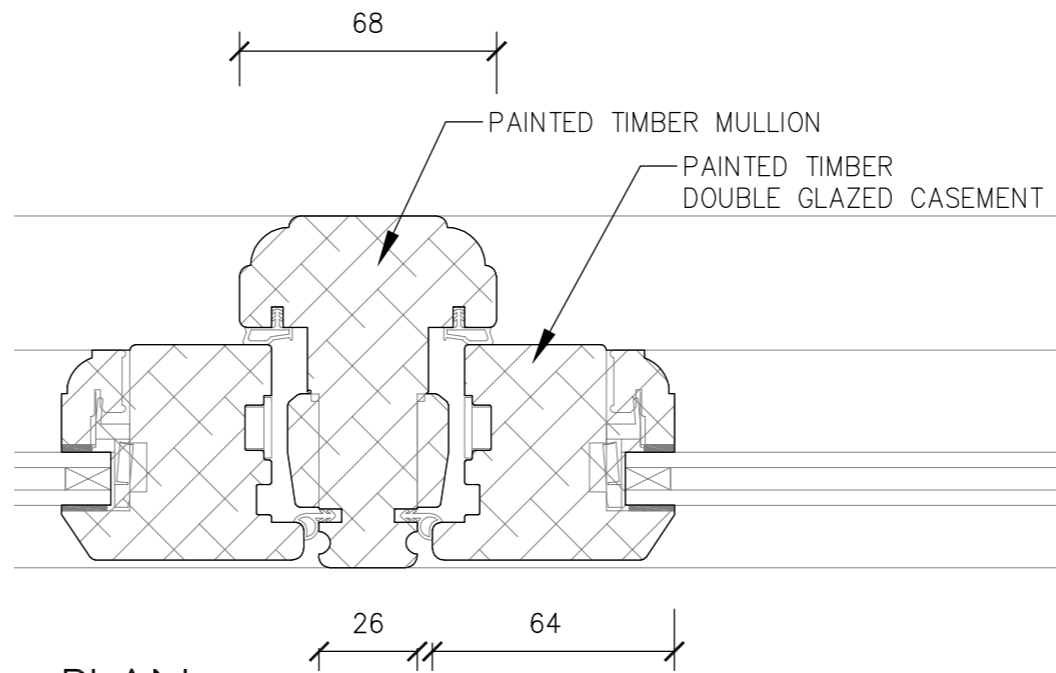


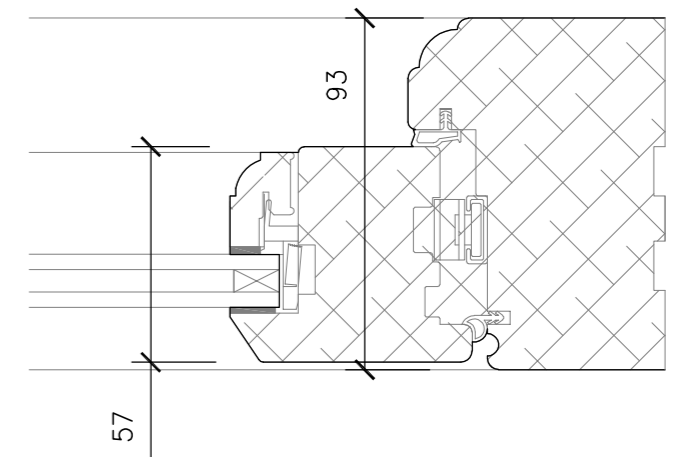
SECTION  
SCALE 1:2



ELEVATION SCALE 1:10



PLAN  
SCALE 1:2



REVISIONS:

MIRIAM LAYTON ARCHITECTURAL DESIGN

mlytondesign@gmail.com 01227 752189



PROJECT  
108 THE STREET, NEWNHAM, ME9 0LW  
EXTENSION/ INTERNAL ALTERATIONS

DRAWING  
WINDOW DETAILS

CLIENT  
MR & MRS JANSEN

DRAWN BY  
MNL

DATE  
MAR 21

PROJECT NO.  
2021\_08

DRAWING NO.  
P08

REVISION  
B

SCALE  
1:2 @ A3