



Garden Log Cabin DREUX With A Flat Roof (44+44 mm + Insulation), 4x3 m (13'x10'), 12 m²

Product #AV1012

- Interchange the opposite walls!
- Premium windows & doors
- Tongue & Groove floorboards included
- Hardware kit included
- Window and door seals included
- Storm braces included
- Pure glass – no cheap plastic
- Reliable floor bearers
- Polite & Convenient delivery
- Made while protecting the forests
- Better resistance to rot & mould
- Moisture resistant door and windows
- Reinforced roof construction
- Secure locks & hinges
- Direct from the factory

£11,247.00

The price includes:

Double glazing, pressure treated floor bearers, flooring, storm braces, Insulation, delivery, offloading, hardware kit & VAT.

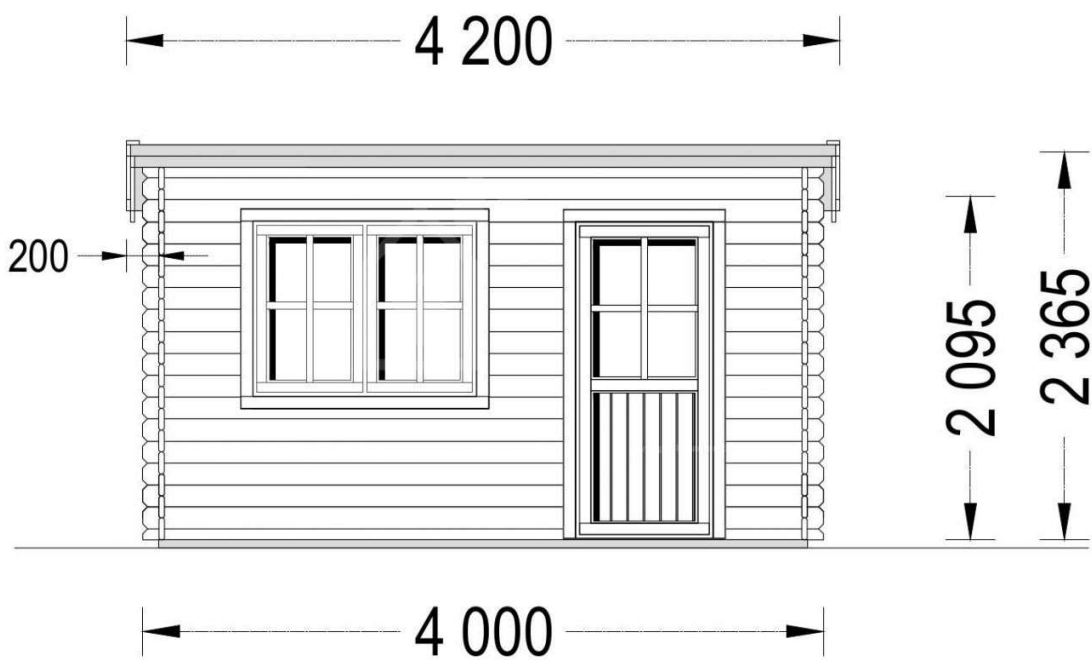
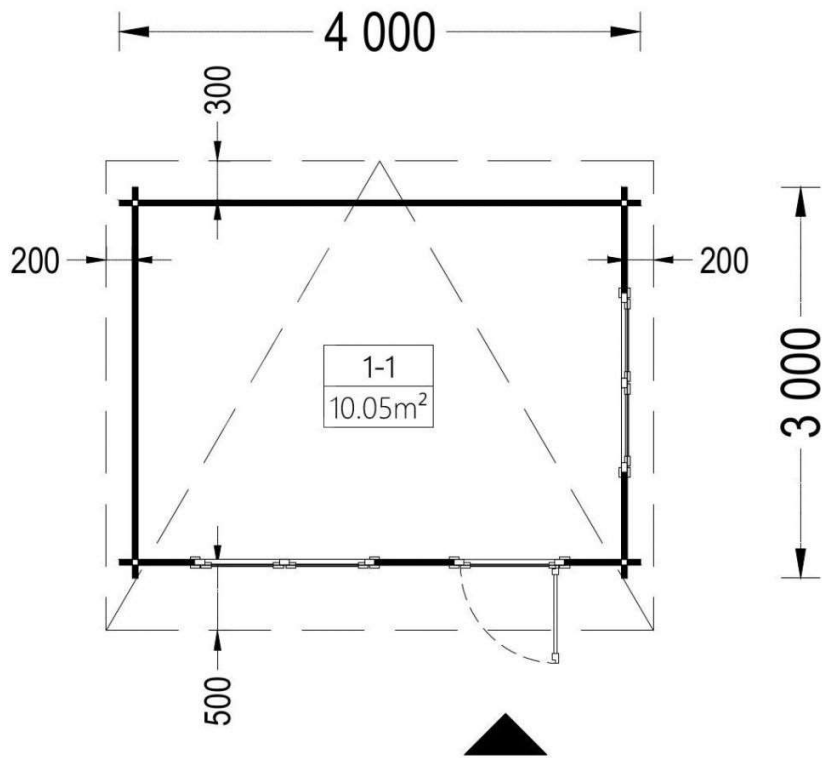
Visit our website to make sure this is the current price:

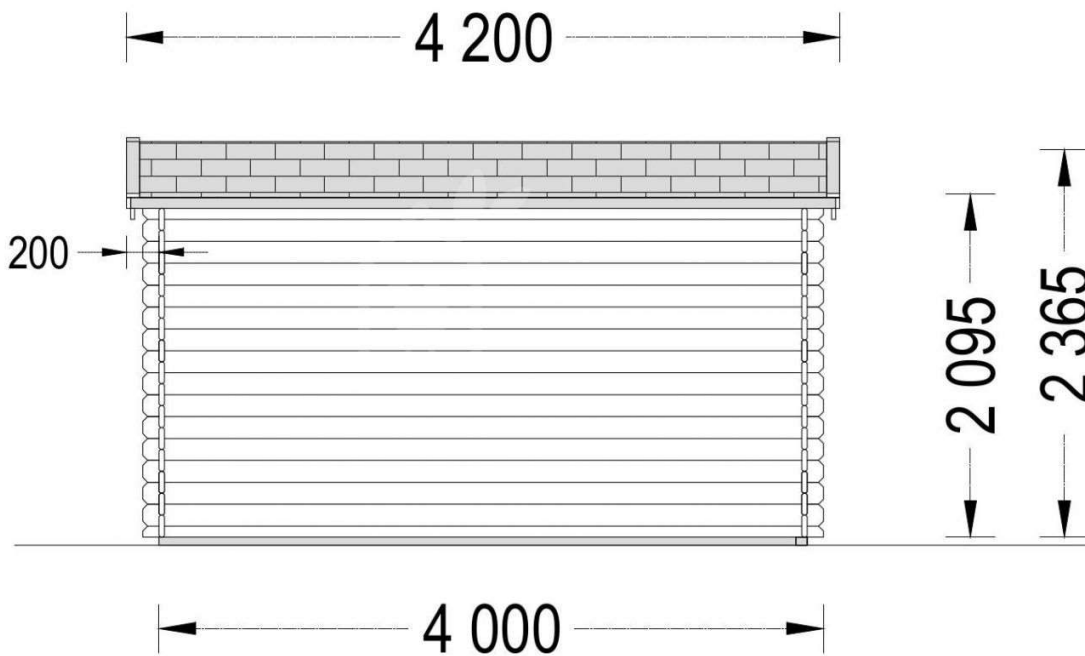
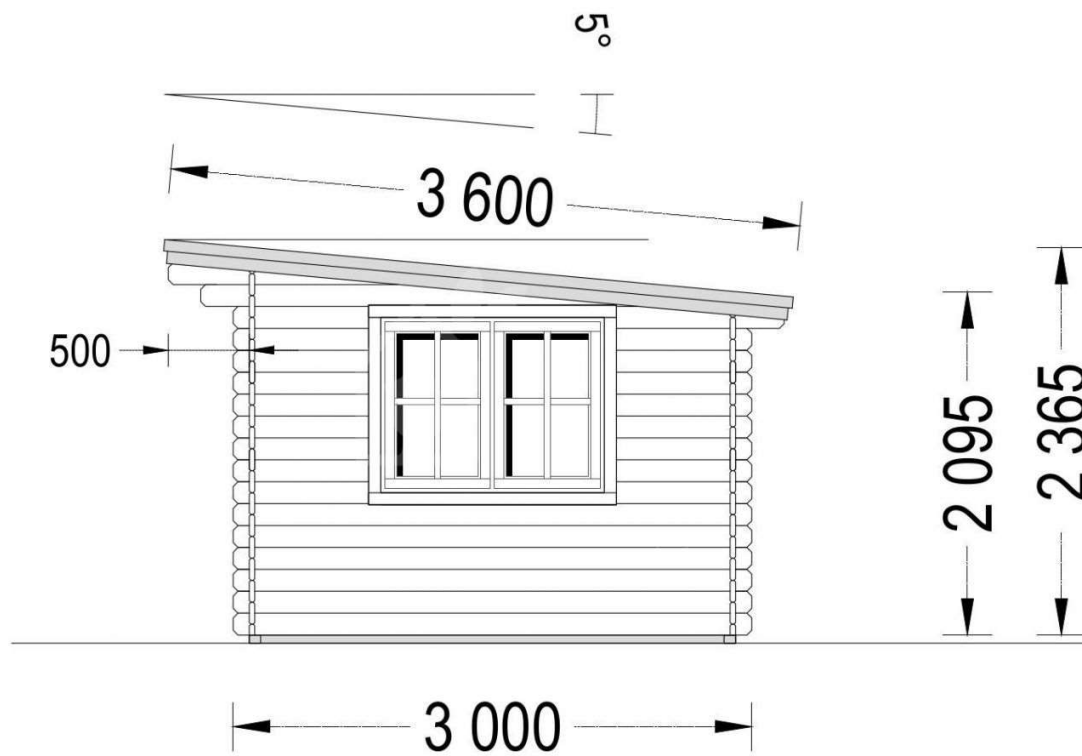
<https://www.quick-garden.co.uk/AV1012>

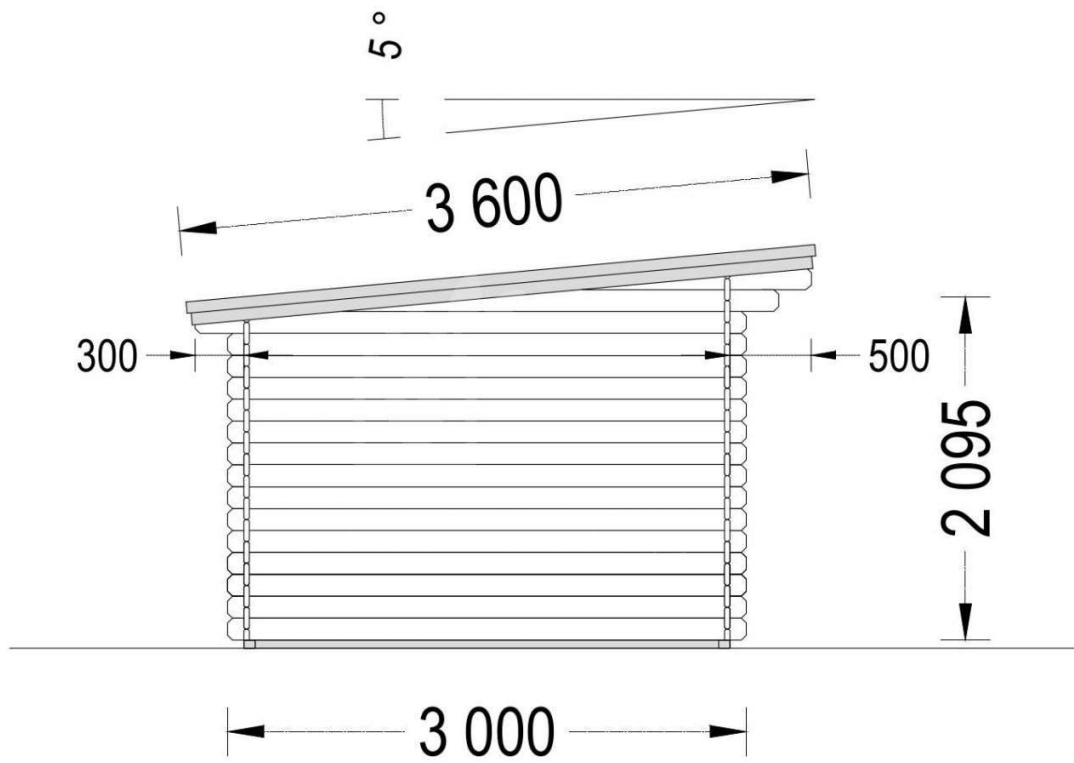


Finance available. Contact us!

Specifications & detailed sketches







Product specifications

Wall Thickness	Double 44 mm + 50 mm insulation
Material	Slow grown spruce
Doors	85cm x 192cm (1 unit)
Floor area	12 m ²
Windows	138cm x 105cm (2 units)
Eaves height	209.5 m
Ridge Height	236.5 cm
Roof material	20 mm tongue & groove boards + 25 mm insulation
Roof Overhang (Front, Side, Back)	50 cm
Floor	20 mm tongue & groove boards + 25 mm insulation
Anti Rot Warranty	10 Year
Total Number of Rooms	1
Internal dimensions (WxD)	371 cm x 271 cm
Roof Covering Material	Optional
External dimensions (WxD), Metric	400cm x 300cm
Wood Treatment	Optional

Select product features according to your needs

Firestone® EPDM	+£472.00
Storage shed 2.7m x 1.6m	From +£799.00
Wink Haus® PVC windows & doors (white color)	+£1,270.00
Wink Haus® PVC windows & doors (anthracite color)	+£1,652.00
Installation service (£1399.00 + VAT, payable on completion)	+£0.00

Timber frame base (£1221.00 payable on completion, available with installation service only)		+£0.00
Turn-Key package deal (contact us for a quote)		+£0.00
Clear water-based primer for interior RP Wood® (supplied in tins)		+£117.00
Steel gutter system Ruukki	Anthracite Grey	+£708.00
	Anthracite Grey + Installation	+£908.00
TIKKURILA Ultra Classic paints	Yellow	+£149.00
	Brown	+£149.00
	White	+£149.00

Customer Service

Free delivery *

Mainland England and Wales

4 - 8 working days for products in stock

4 - 8 weeks for products not in stock or custom-made products

Mainland Scotland

8 - 15 working days for products in stock

4 - 8 weeks for products not in stock or custom-made products

* An extra charge for deliveries to mainland Scotland applies only for items which are priced under £3000. In such cases you will find these charges on each product page. For all items whose price is over £3000, delivery to mainland Scotland is free of charge.

Payment

We accept card and bank payments.

To submit your order, you can either choose to pay a deposit of 20% of the total price or to pay the whole price in one go.

Planning permission

Contact us for any advice you may need regarding basic planning permission or building regulation matters. We will always be happy to help you.

10 yrs. warranty

All garden buildings with a wall thickness of at least 34mm come with a 10-year anti-rot guarantee. Structures with 28mm wall thickness come with a corresponding 5-year anti-rot guarantee.