

D1240

Rev B

02/06/2021

ORIGINAL  
SASH

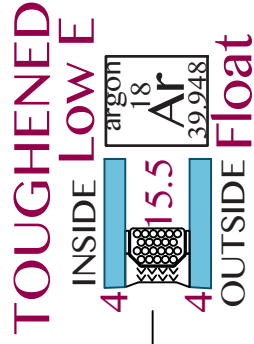
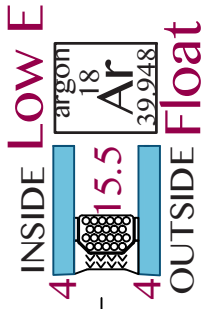
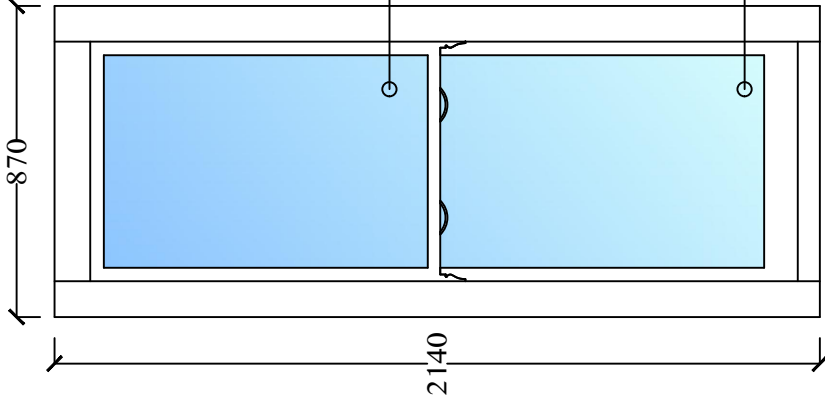
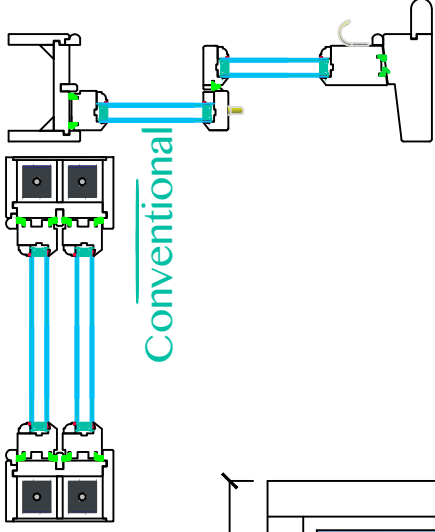
1/7

# Seen From Outside

Bedroom  
Weight Loaded Timber Sash Window

Details:

SW01



Project address: **145a**  
Ashley Gardens  
SW1P 1HW

Client:  
Sarah Borowiecka

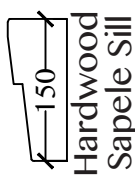
Paint Details: **MATCH**  
remmers  
\_paints  
Dulux

**INSIDE:** Gardenia Weathershield  
**OUTSIDE:** Gardenia Weathershield



**OAK**

Weights



Horns:  
outside inside  
Facing Facing  
Up Up



Round  
Profile

Internal Glazing

Ironmongery Finish: UNCONFIRMED

2X



Angel Ventlock

2X



Outside D  
Handles

4X



Pulleys

2X



Sash Lifts



Heritage Lock

SOTR NOTES

Window reference:  
WEX-2-01.

Notes:

Fitting:

D1240

Rev B

02/06/2021

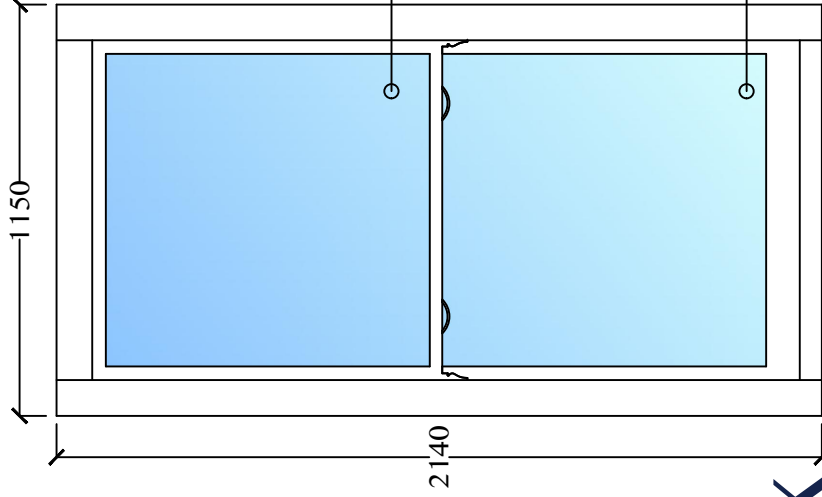
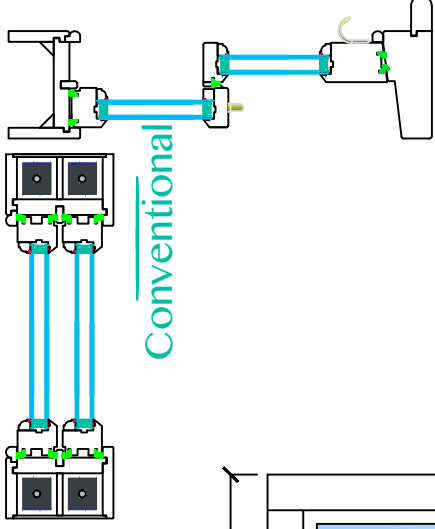
ORIGINAL  
SASH

2/7

Seen From Outside

### Bedroom Weight Loaded Timber Sash Window

Details:  
SW02  
SW03



INSIDE LOW E  
4 argon 18  
15.5 Ar 39.948  
4  
OUTSIDE Float

TOUGHENED  
INSIDE LOW E  
4 argon 18  
15.5 Ar 39.948  
4  
OUTSIDE Float

Project address:  
Ashley Gardens  
SW1P 1HW

Client:  
Sarah Borowiecka

145a

Paint Details: **MATCH**  
remmers paints  
Dulux

INSIDE: Gardenia Weathershield  
OUTSIDE: Gardenia Weathershield



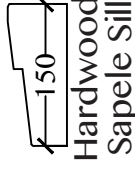
OAK

Horns:  
outside inside  
Facing Down Up



Round Profile  
Internal Glazing

Weights



Hardwood  
Sapele Sill

Ironmongery Finish: UNCONFIRMED

2X



Angel Ventlock

Heritage Lock

2X

4X

2X

Outside D Handles

Pulleys

Sash Lifts

SOTR NOTES  
Window reference:  
WEX-2-02,  
WEX-2-03.

Notes:  
Fitting:

D1240

Rev B  
02/06/2021

ORIGINAL  
SASH

3/7

Seen From Outside

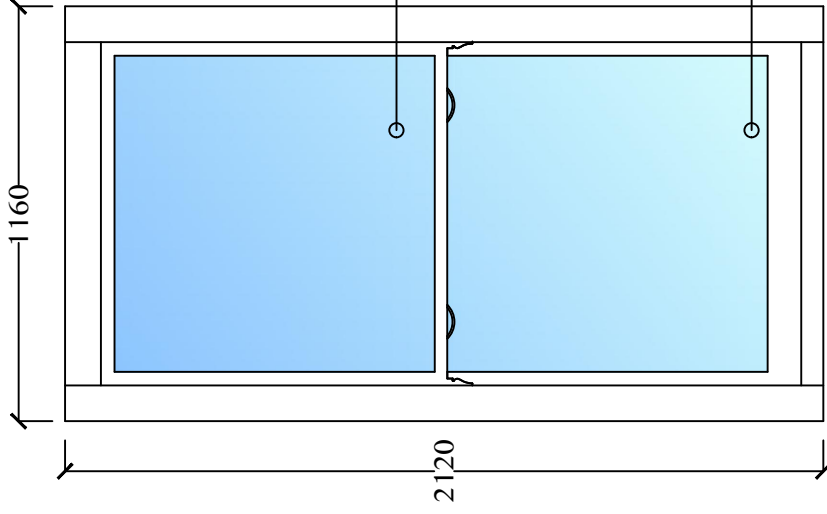
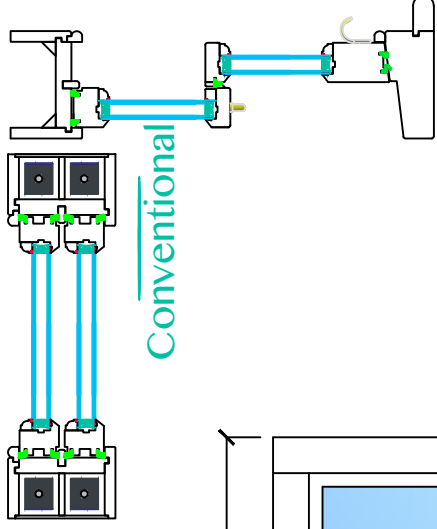
Kitchen

Weight Loaded Timber Sash Window

Details:  
SW04

Project address:  
Ashley Gardens  
SW1P 1HW

Client:  
**145a**  
Sarah Borowiecka



INSIDE 4 LOW E  
argon 18  
Ar 39.948  
15.5  
OUTSIDE 4 Float

**TOUGHENED**  
INSIDE 4 LOW E  
argon 18  
Ar 39.948  
15.5  
OUTSIDE 4 Float

Paint Details: **MATCH**

remmers  
\_paints

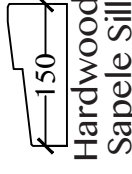
Dulux

INSIDE: Gardenia Weathershield

OUTSIDE: Gardenia Weathershield

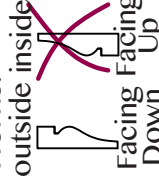


Weights



OAK

Horns:  
outside inside



Ironmongery Finish: UNCONFIRMED

2X



Angel Ventlock

2X



Outside D  
Handles



Heritage Lock

2X



Sash Lifts

4X



Pulleys

D1240

Rev B  
02/06/2021

# Seen From Outside

ORIGINAL  
SASH

4/7

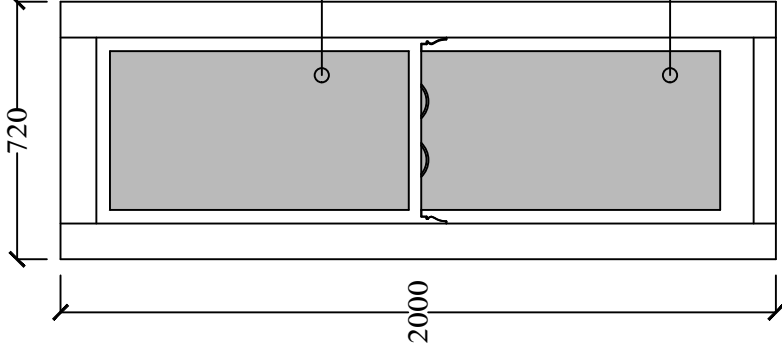
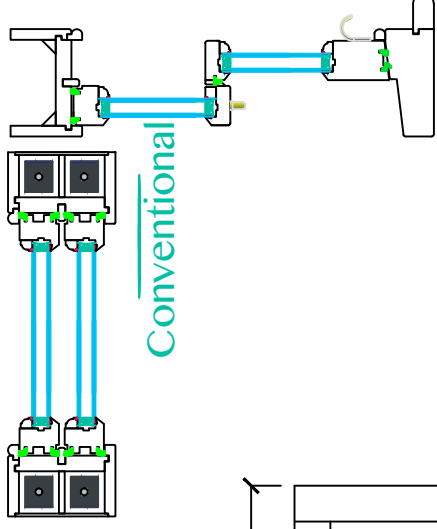
## Bathroom

### Weight Loaded Timber Sash Window

Details:  
SW05

Project address:  
Ashley Gardens  
SW1P 1HW

Client:  
**145a**  
Sarah Borowiecka



INSIDE LOW E  
4 argon 18  
15.5 Ar 39,948  
4  
OUTSIDE Float  
OBSCURED

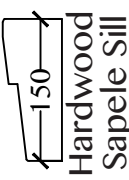
TOUGHENED  
INSIDE LOW E  
4 argon 18  
15.5 Ar 39,948  
4  
OUTSIDE Float  
OBSCURED

Paint Details: **MATCH**  
remmers  
\_paints  
Dulux

INSIDE: Gardenia Weathershield  
OUTSIDE: Gardenia Weathershield



Weights  
Hardwood  
Sapele Sill



OAK  
Horns:  
outside inside  
Facing Facing  
Round Profile  
Internal Glazing



Ironmongery Finish: UNCONFIRMED



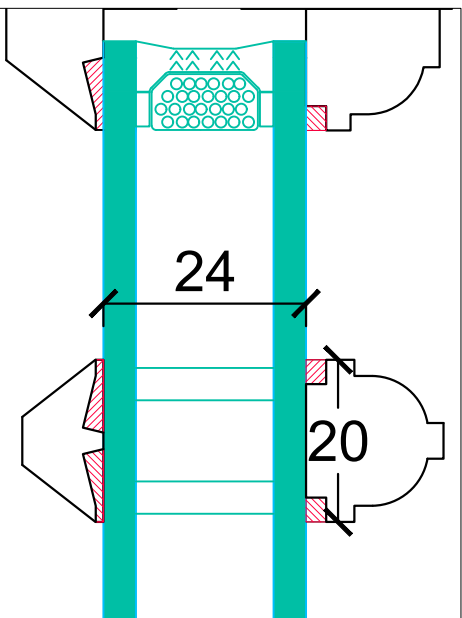
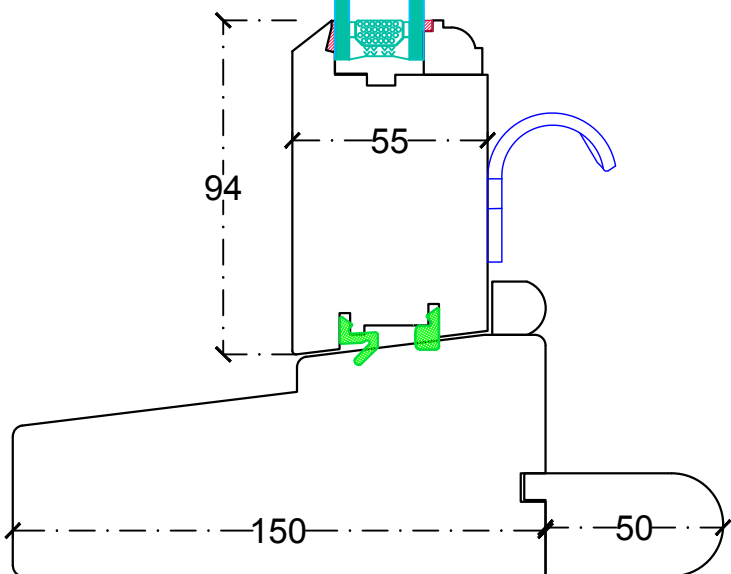
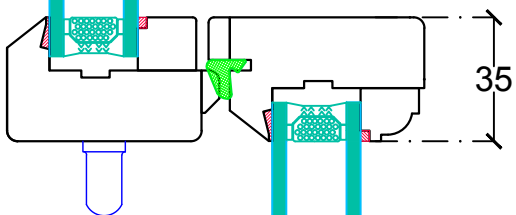
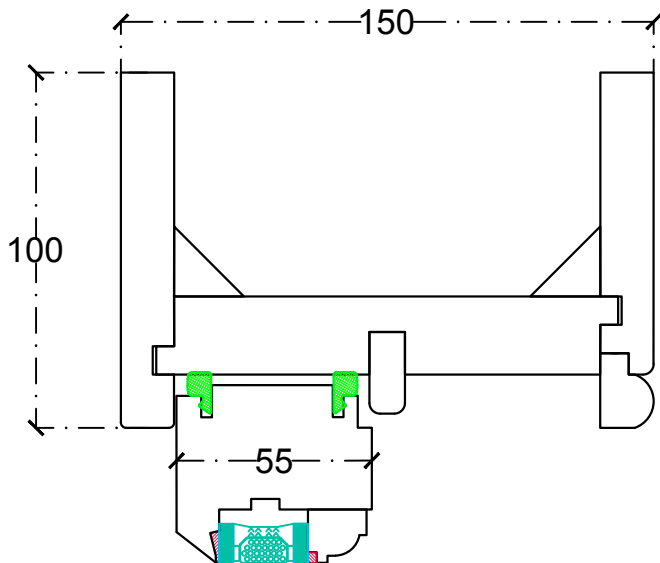
SOTR NOTES  
Window reference:  
WEX-6-01.

Notes:  
Fitting:

**SOTR NOTES**

Window reference:

WEX-2-01, WEX-2-02, WEX-2-03,  
WX-5-01, WEX-6-01, WEX-7-01.



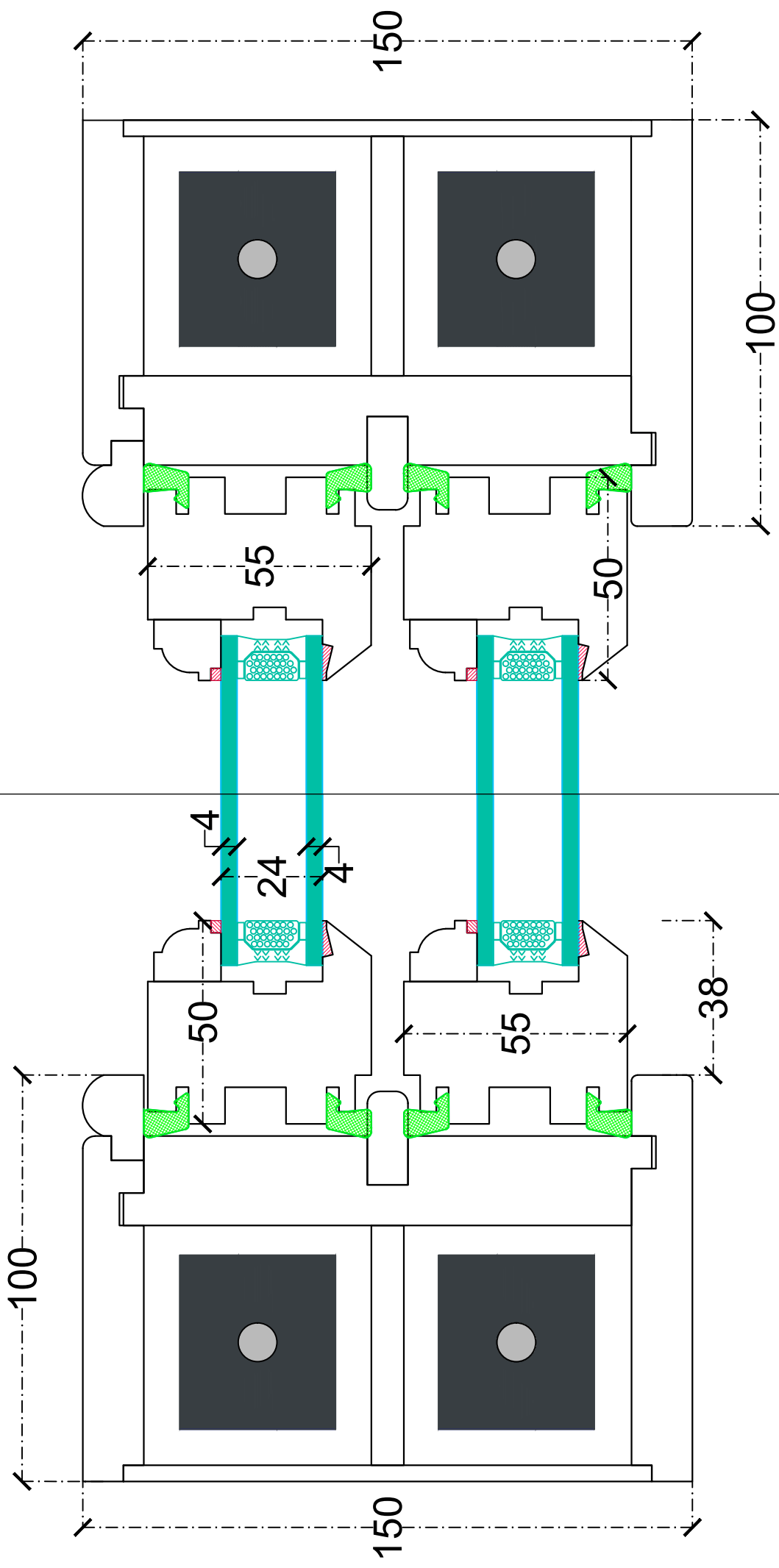
**SOTR NOTES**

Window reference:

WEX-2-01, WEX-2-02, WEX-2-03,

WX-5-01, WEX-6-01, WEX-7-01.

**Proposed Profile**



D1240

Rev B  
02/06/2021

# Seen From Outside

ORIGINAL  
SASH

5/7

Office

Weight Loaded Timber Sash Window

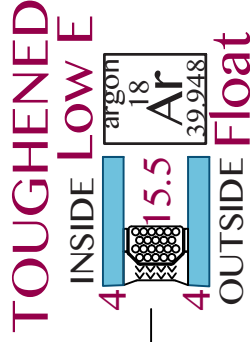
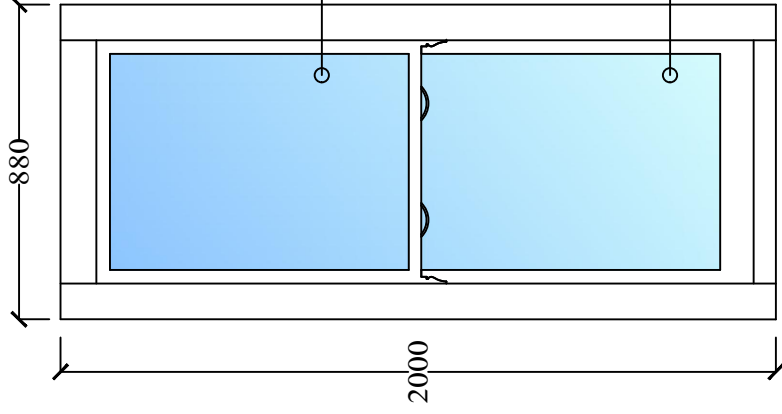
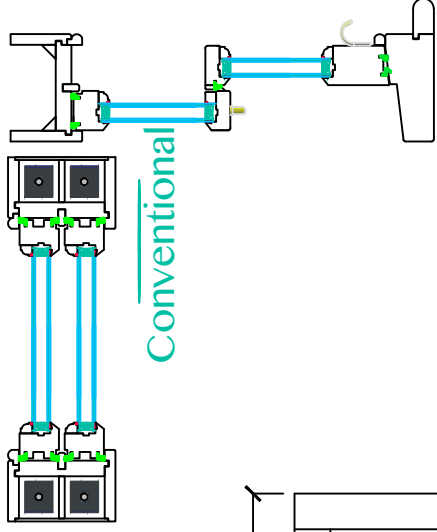
Details:  
SW06

Project address:  
Ashley Gardens  
SW1P 1HW

145a

Client:

Sarah Borowiecka



Paint Details: **MATCH**

remmers  
\_paints

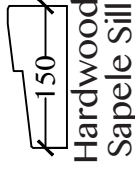
Dulux

INSIDE: Gardenia Weathershield

OUTSIDE: Gardenia Weathershield



Weights



OAK

Horns:  
outside inside



Round  
Profile

Internal Glazing

Ironmongery Finish: UNCONFIRMED

2X



Angel Ventlock

2X



Outside D  
Handles



Heritage Lock

2X



Sash Lifts

4X



Pulleys

SOTR NOTES

Window reference:  
WEX-7-01.

Notes:

Fitting:

D1240

Rev B  
02/06/2021

Living Room  
Timber French Door

Details:  
FD01

Seen From Outside

ORIGINAL  
SASH

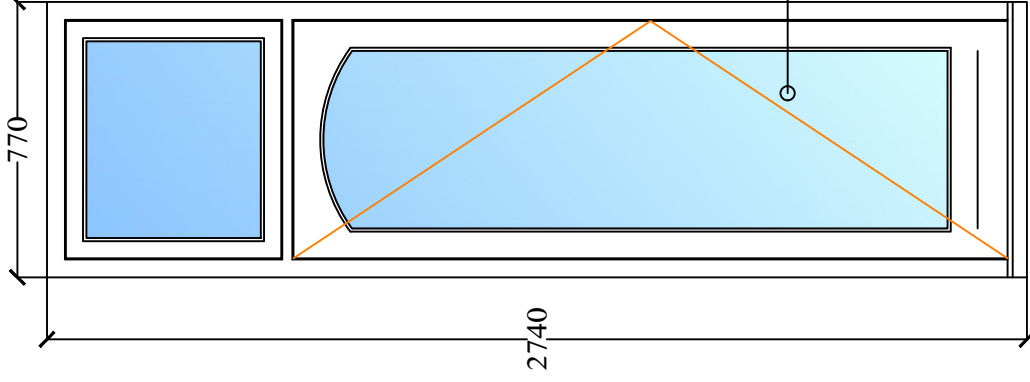
6/7

Project address:  
Ashley Gardens  
SW1P 1HW

Client:  
Sarah Borowiecka

145a

SOTR NOTES  
Door reference:  
DEX-2-01.

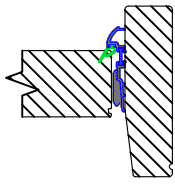


TOUGHENED  
INSIDE LOW E  
TOUGHENED  
OUTSIDE Float



Paint Details: **MATCH**  
remmers  
\_paints  
Dulux

INSIDE: Gardenia Weathershield  
OUTSIDE: Gardenia Weathershield



Winkhaus  
Multipoint  
FAB  
Locking  
System



Round  
Profile  
Internal Glazing

Ironmongery Finish: UNCONFIRMED



2X  
pair  
Adjustable  
Friction Stay



2X  
pair  
BUTT  
Hinges



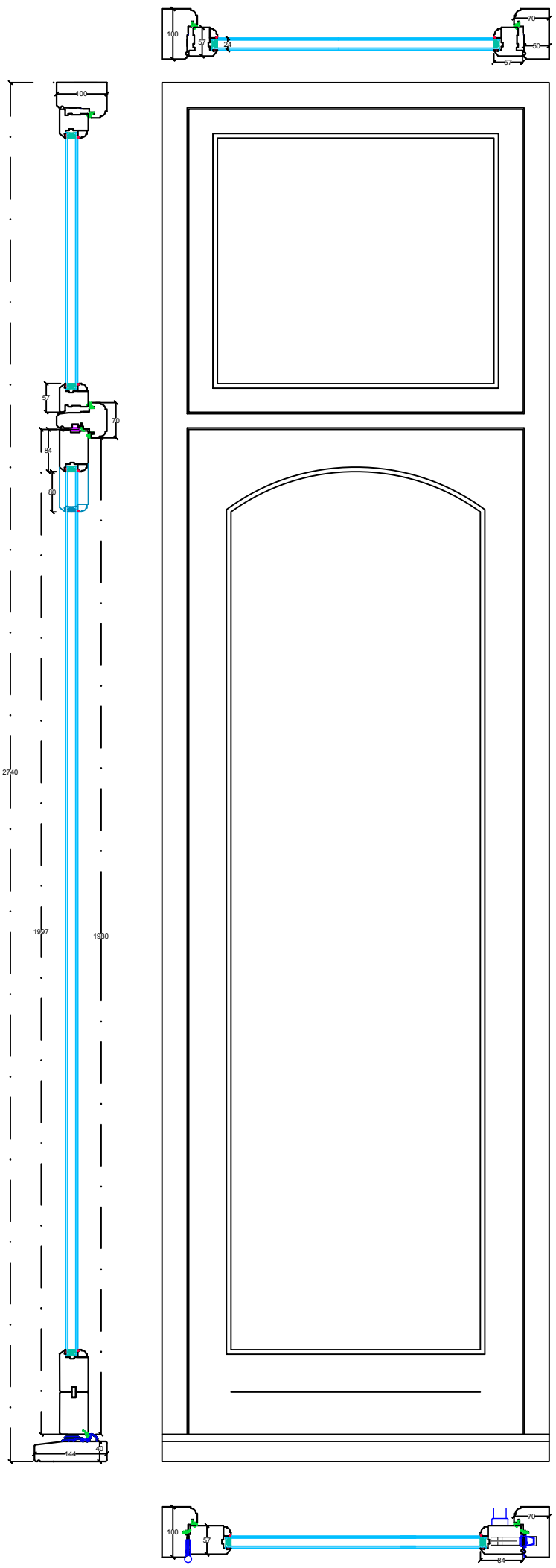
1X  
pair  
Lilla  
Lever Handle

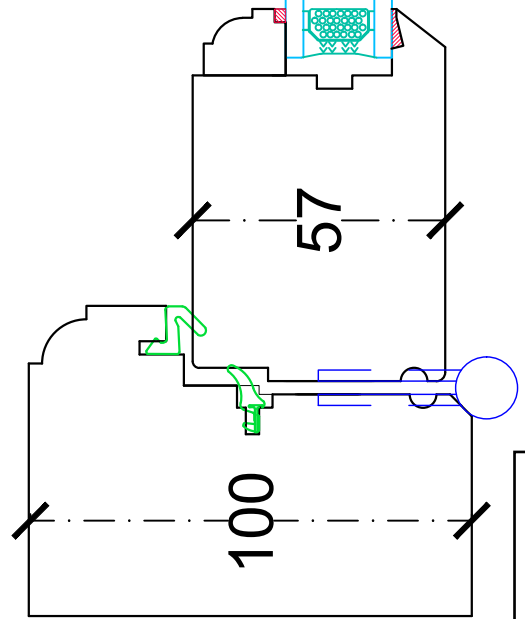
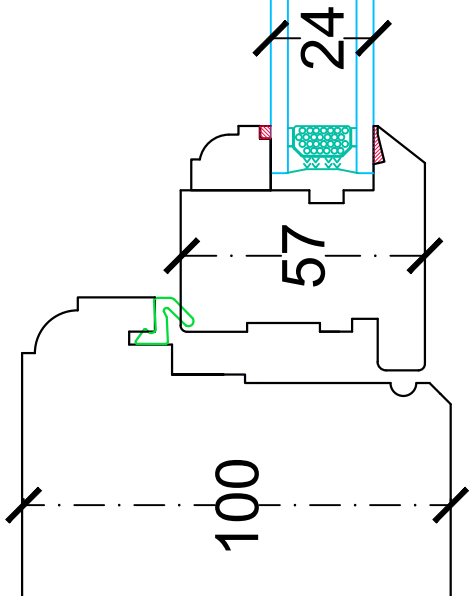
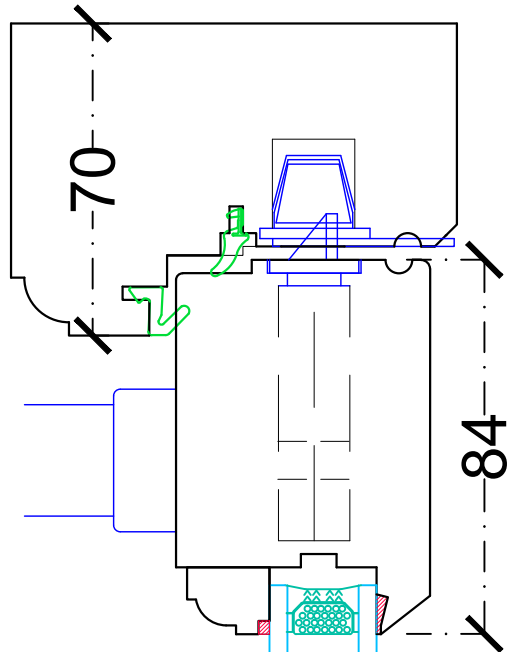
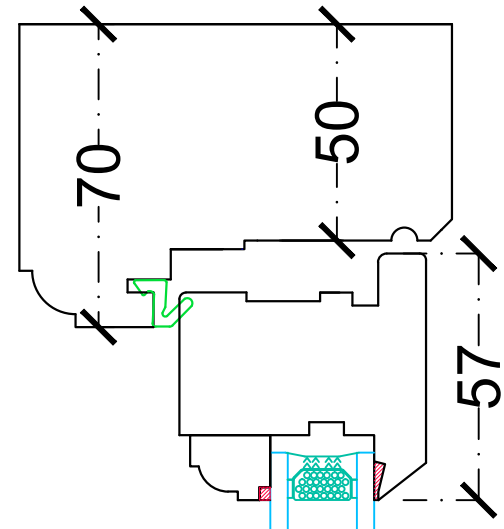
Notes:

Fitting:



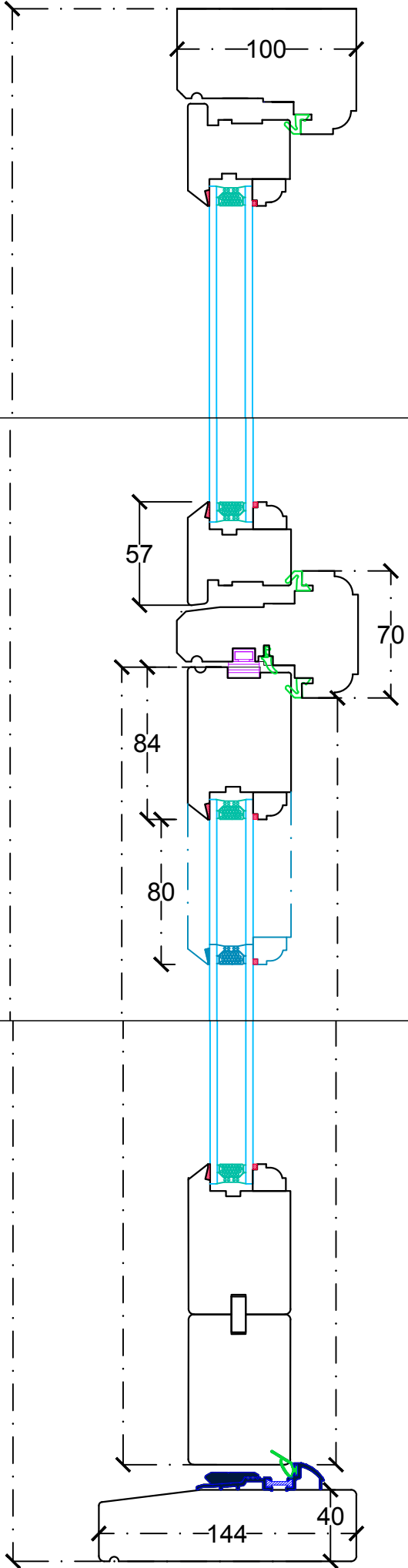
SOTR NOTES  
Door reference:  
DEX-2-01.





SOTR NOTES  
 Door reference:  
 DEX-2-01.

SOTR NOTES  
Door reference:  
DEX-2-01.



# D1240

Rev B  
02/06/2021

## Seen From Outside

ORIGINAL  
**SASH**

7/7

Living Room  
Timber French Door

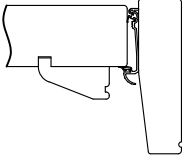
Details:  
FD01

Project address:  
Ashley Gardens  
SW1P 1HW

Client:  
**145a**  
Sarah Borowiecka

Paint Details: **MATCH**  
remmers  
\_paints  
**Dulux**

INSIDE: Gardenia Weathershield  
OUTSIDE: Gardenia Weathershield

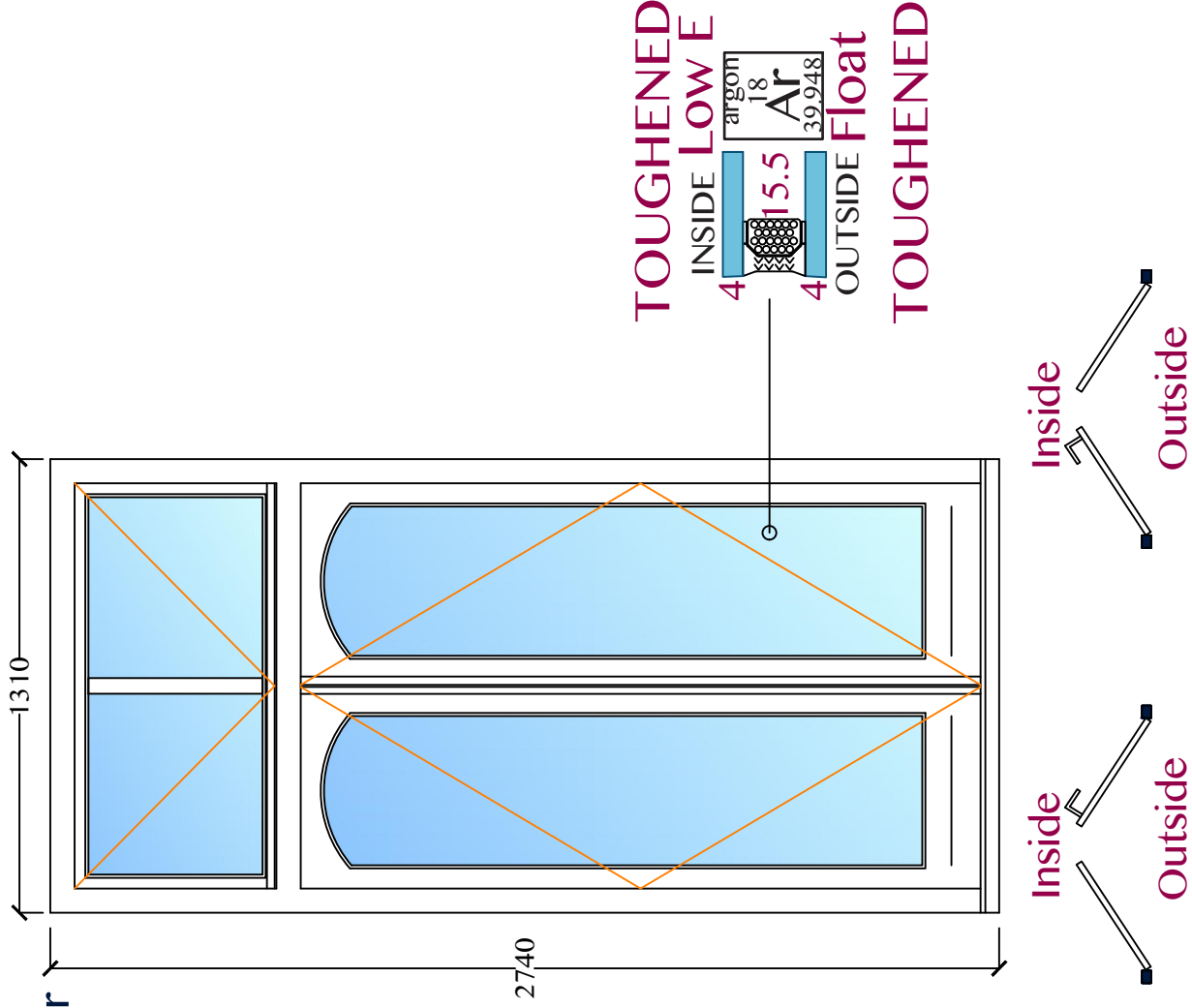


Winkhaus  
Multipoint  
FAB  
Locking  
System

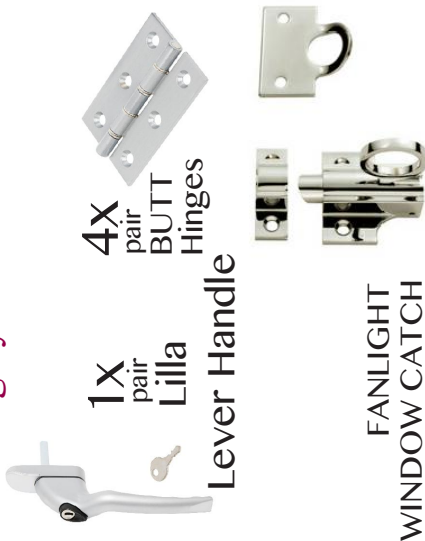


Round  
Profile  
Internal Glazing

SOTR NOTES  
Door reference:  
DEX-4-01,  
DEX-4-02.



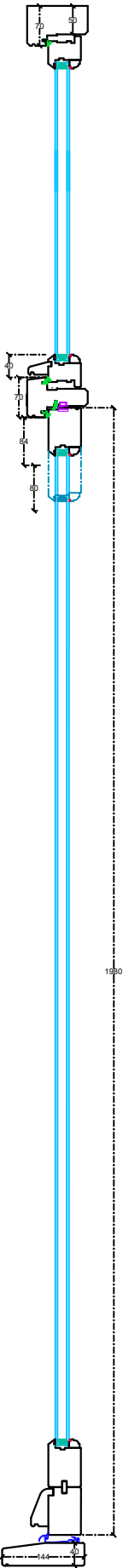
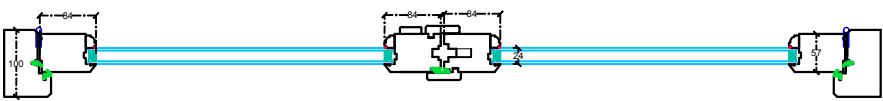
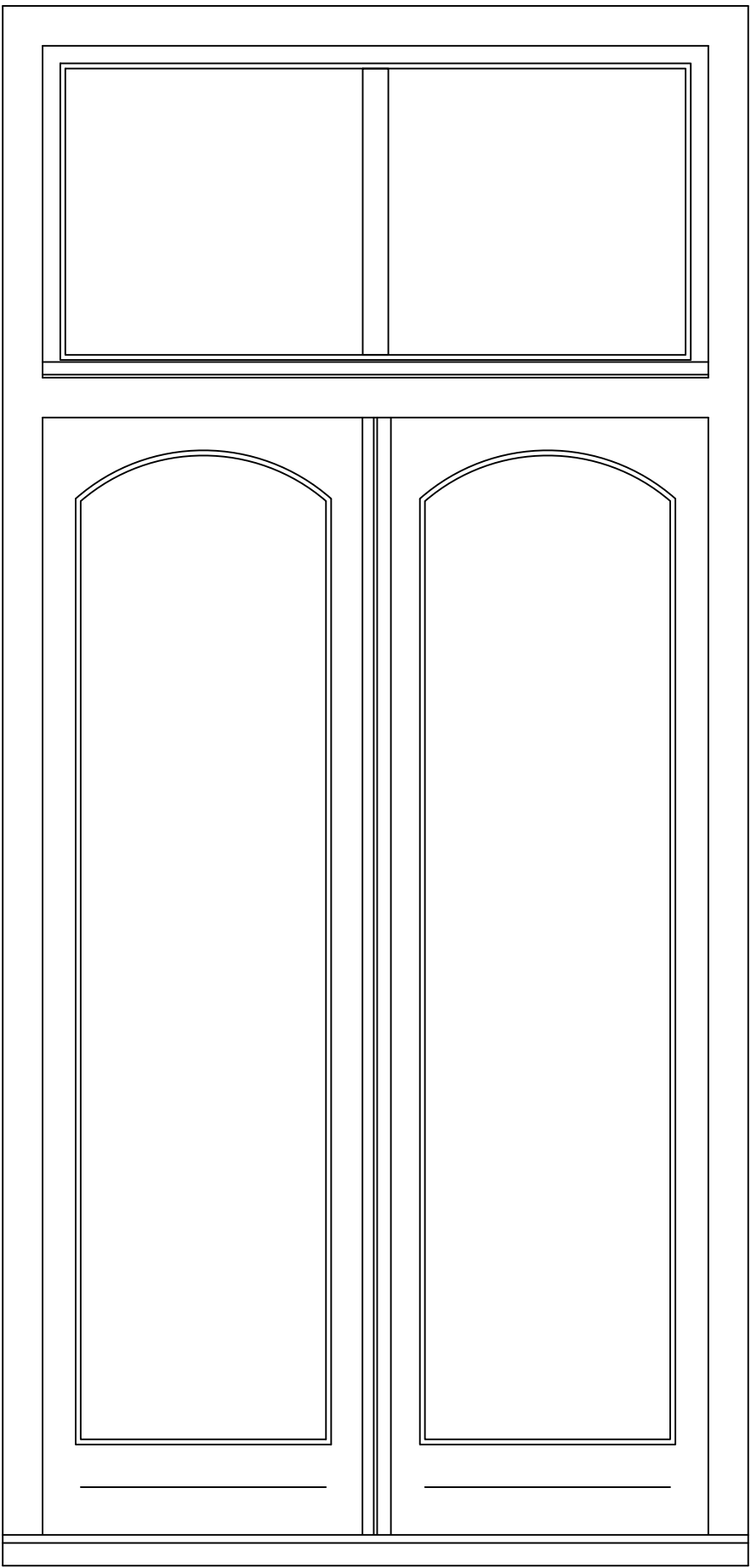
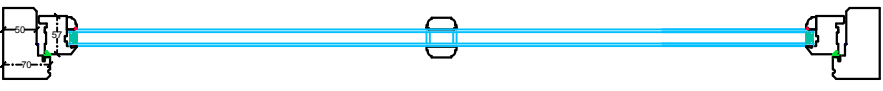
Ironmongery Finish: UNCONFIRMED



Notes:

Fitting:

**SOTR NOTES**  
Door reference:  
DEX-4-01,  
DEX-4-02.

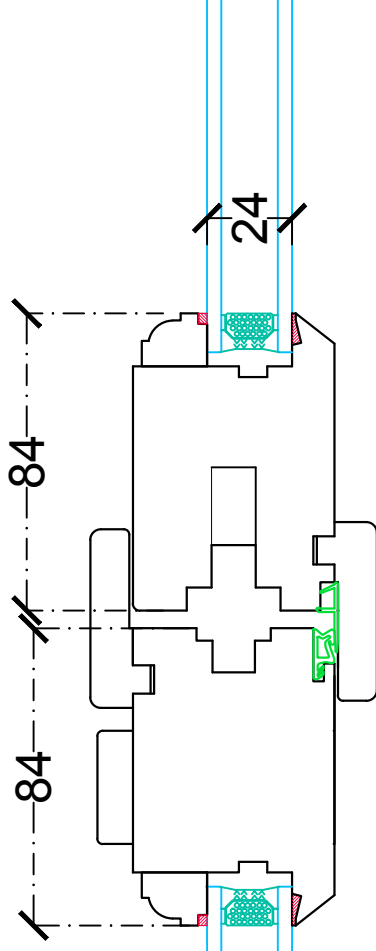
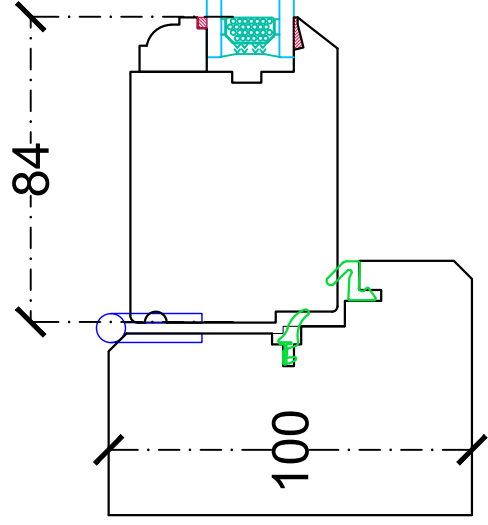
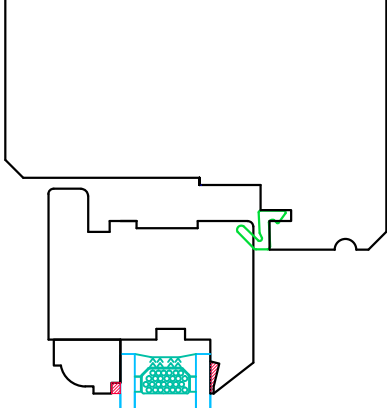
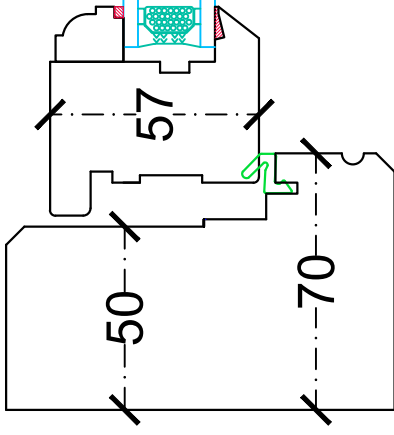


**SOTR NOTES**

Door reference:

DEX-4-01,

DEX-4-02.



SOTR NOTES  
Door reference:  
DEX-4-01,  
DEX-4-02.

