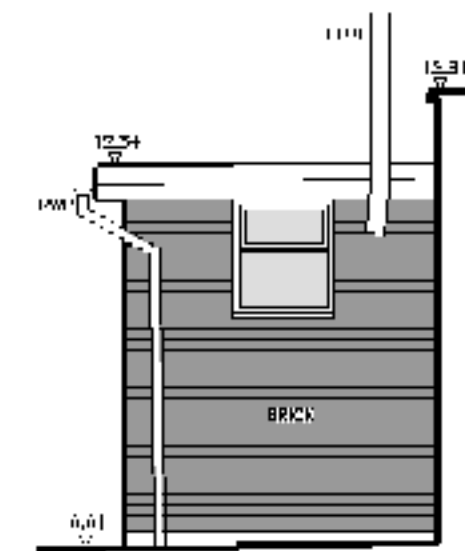
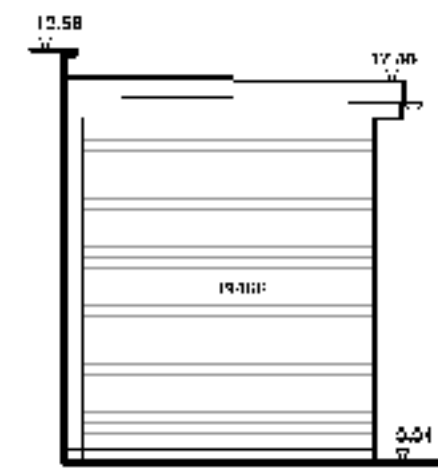


West elevation



South elevation



North elevation

Job title

Waterlilies, Stocking Pelham

Drawing Title
Changing Block Elevations Survey

Scale	Date	Drawn	Drawing number
1:100	09/18	CM	810/A3/125 -

This drawing is copyright and its publication or use without consent of the author is prohibited. All dimensions are to be verified on site.

snell david

Snell David Architects
 Scutches Barn
 17 High Street
 Whittonford
 Cambridge
 CB22 4LJ

Tel: 01223 850080
 e-mail: sd@snell-david.co.uk
 web: www.snell-david.co.uk

Scale 1:100

0 1 2 5 10M