

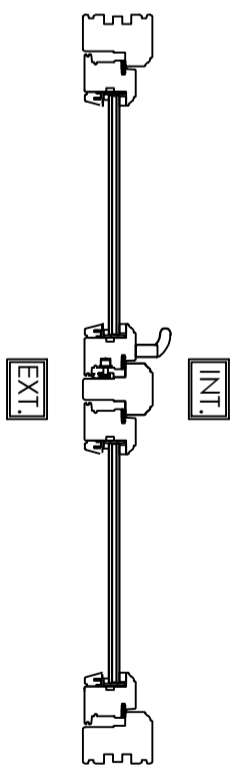
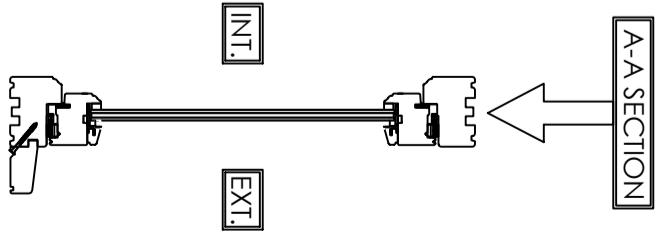
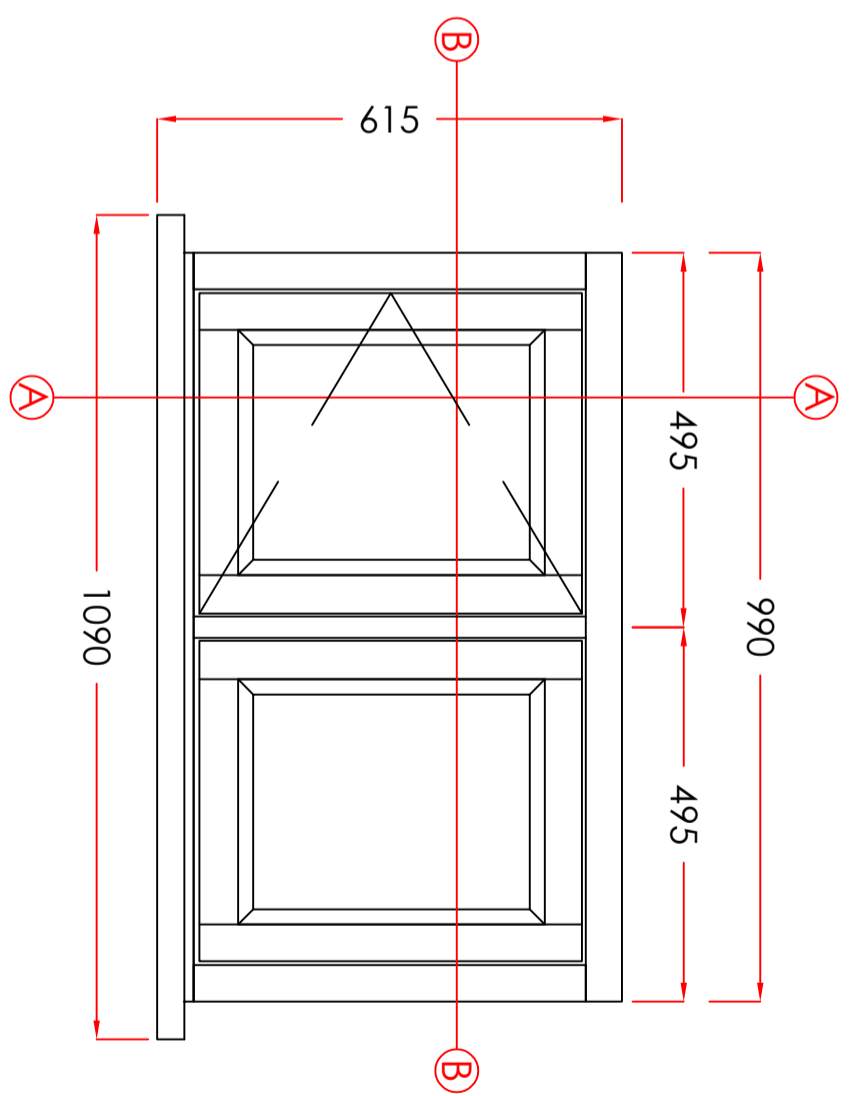
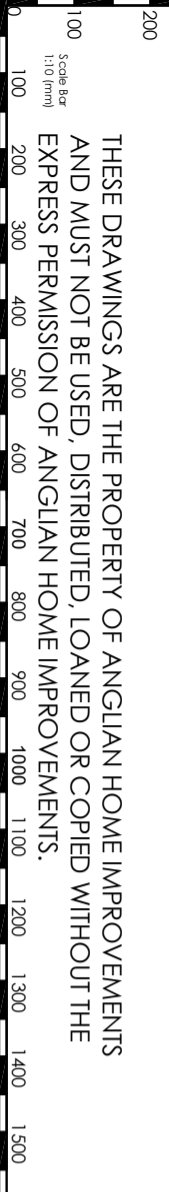
B-B SECTION →

5. BATHROOM

MATERIAL - TIMBER
INTERNAL & EXTERNAL COLOUR - WHITE
GLAZING - 28MM SEALED UNITS

VIEWED EXTERNALLY

THESE DRAWINGS ARE THE PROPERTY OF ANGLIAN HOME IMPROVEMENTS AND MUST NOT BE USED, DISTRIBUTED, LOANED OR COPIED WITHOUT THE EXPRESS PERMISSION OF ANGLIAN HOME IMPROVEMENTS.



B-B SECTION →

6. BEDROOM

MATERIAL - TIMBER
INTERNAL & EXTERNAL COLOUR - WHITE
GLAZING - 14MM SEALED UNITS

Revision	Date	Amendments	Drawers initials
A	22/06/21	Sections amended	SF

CONTRACT No.: 30308665

date: 13/04/2021

PROPOSED: WINDOW REPLACEMENT

AT:
(INSTALLATION ADDRESS)
3 ALMSHOUSES
THE STREET, STOWLANGTOFT
BURY ST. EDMUNDS
SUFFOLK, IP31 3JN

Drawers initials:
SF

Scale - 1:10

(Produced on A3 Paper)

Sheet 3 of 5

