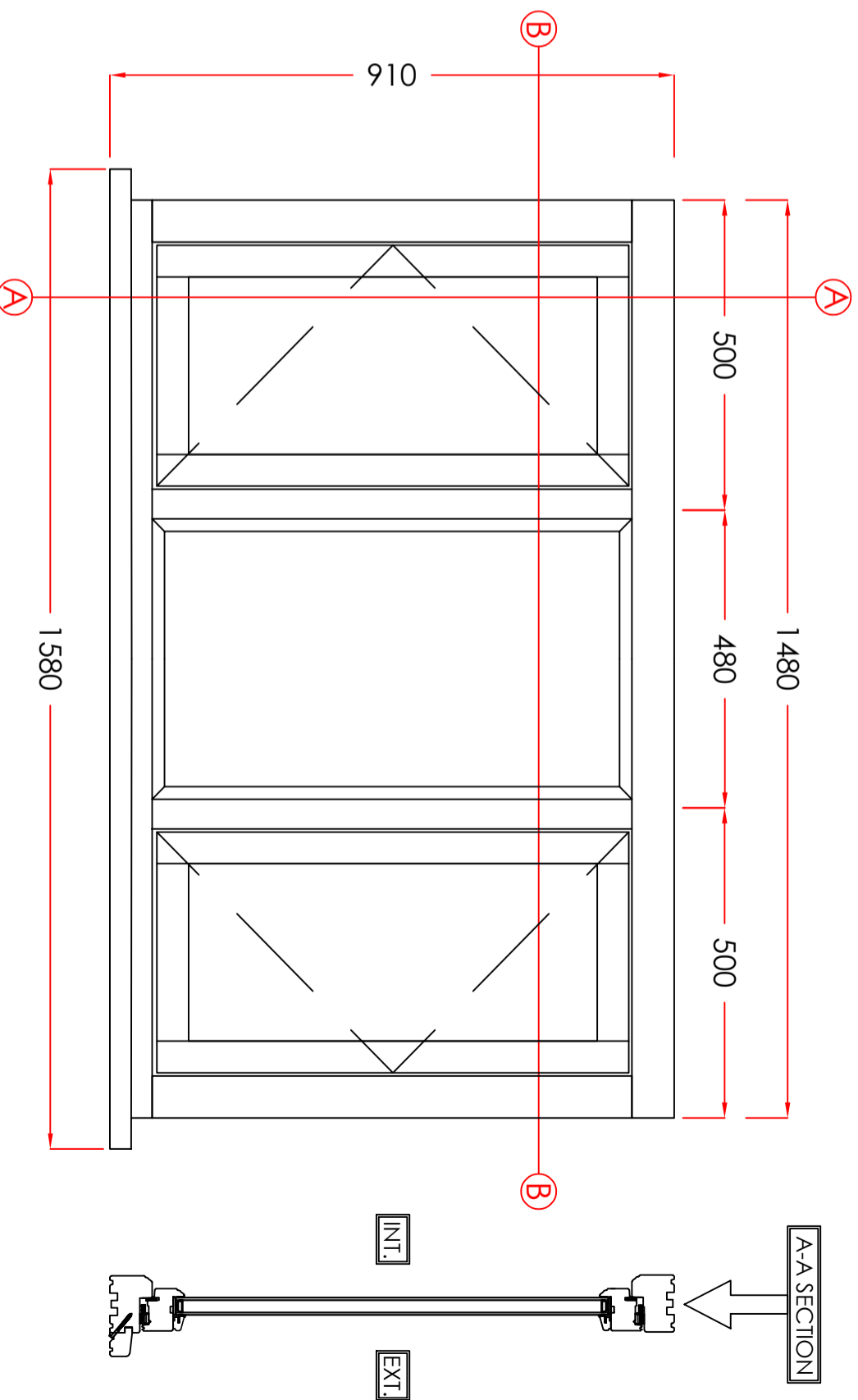
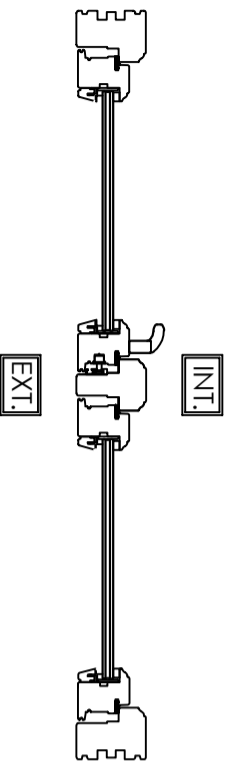


MATERIAL - TIMBER
INTERNAL & EXTERNAL COLOUR - WHITE
GLAZING - 14MM SEALED UNITS

1. LOUNGE

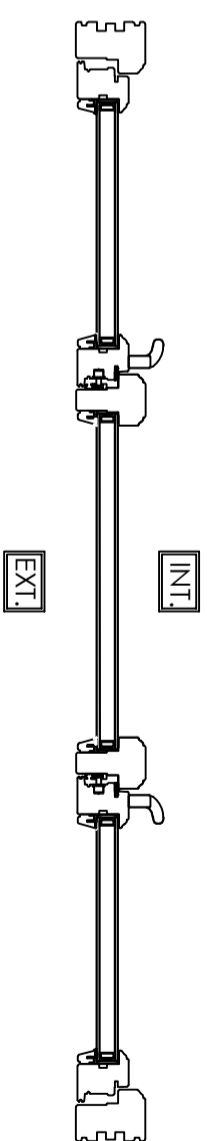
B-B SECTION



MATERIAL - TIMBER
INTERNAL & EXTERNAL COLOUR - WHITE
GLAZING - 28MM SEALED UNITS

2. KITCHEN

B-B SECTION



VIEWED EXTERNALLY

THESE DRAWINGS ARE THE PROPERTY OF ANGLIAN HOME IMPROVEMENTS
AND MUST NOT BE USED, DISTRIBUTED, LOANED OR COPIED WITHOUT THE
EXPRESS PERMISSION OF ANGLIAN HOME IMPROVEMENTS.

Revision	Date	Amendments	Drawers Initials
A	22/06/21	Sections amended	SF

Scale - 1:10

(Produced on A3 Paper)

Sheet 1 of 5

CONTRACT No.: 30308665

date: 13/04/2021

PROPOSED: WINDOW REPLACEMENT

AT:
(INSTALLATION ADDRESS)
3 ALMSHOUSES
THE STREET, STOWLANGTOFT
BURY ST. EDMUNDS
SUFFOLK, IP31 3JN

