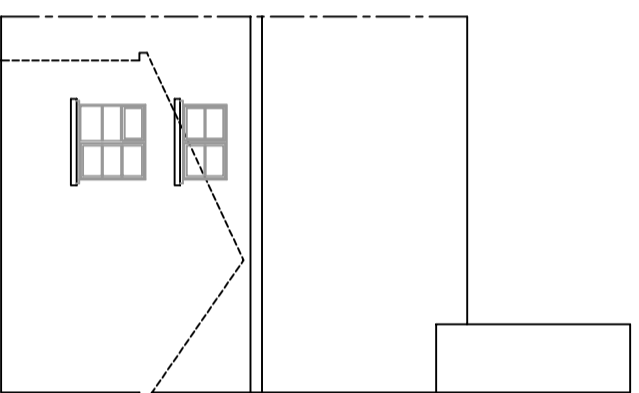
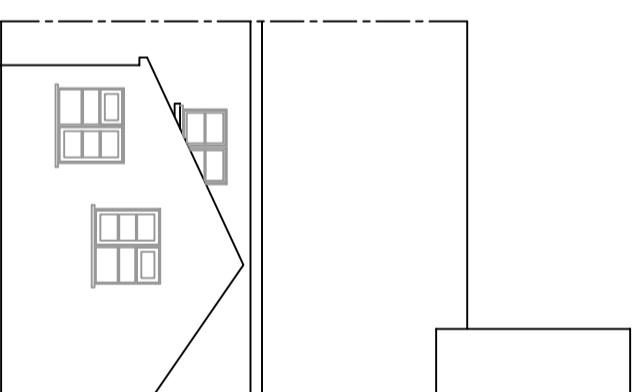


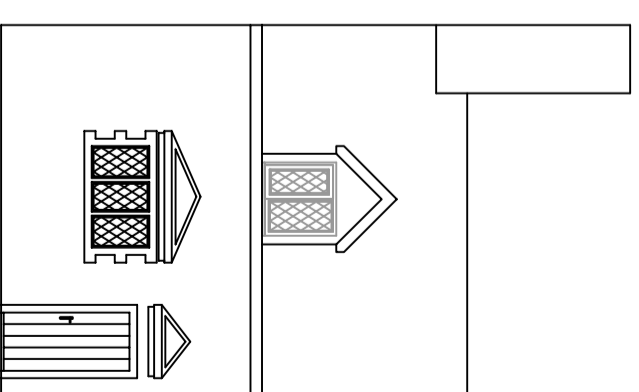
EXISTING SIDE REAR ELEVATION



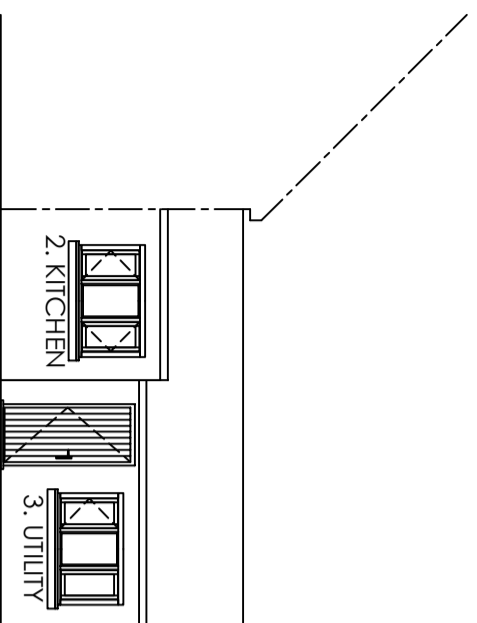
EXISTING REAR ELEVATION
(EXTENSION OMITTED)



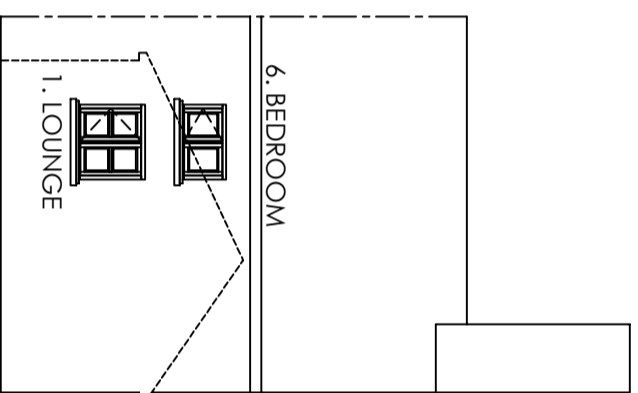
EXISTING REAR ELEVATION



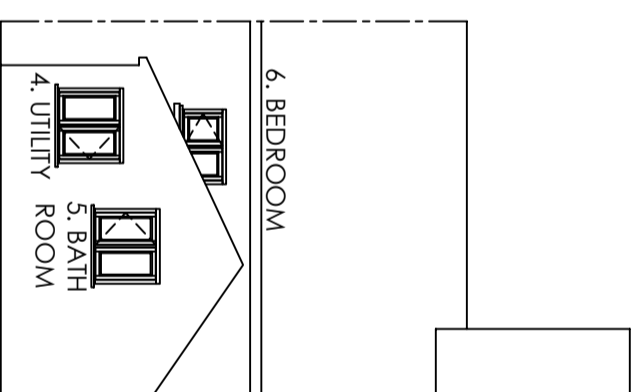
EXISTING FRONT ELEVATION



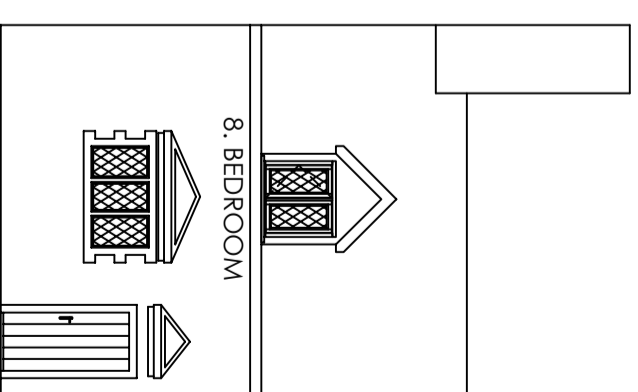
PROPOSED SIDE REAR ELEVATION



PROPOSED REAR ELEVATION
(EXTENSION OMITTED)



PROPOSED REAR ELEVATION



PROPOSED FRONT ELEVATION

EXISTING AND PROPOSED ELEVATIONS

CONTRACT No.: 30308665

date: 13/04/2021

Revision	Date	Amendments	Drawers Initials
A	22/06/21	Sections amended	SF

THESE DRAWINGS ARE THE PROPERTY OF ANGLIAN HOME IMPROVEMENTS AND MUST NOT BE USED, DISTRIBUTED, LOANED OR COPIED WITHOUT THE EXPRESS PERMISSION OF ANGLIAN HOME IMPROVEMENTS.

Scale - 1:100
(Produced on A3 Paper)

Drawers Initials: SF

PROPOSED: WINDOW REPLACEMENT
AT: (INSTALLATION ADDRESS)
3 ALMSHOUSES
THE STREET, STOWLANGTOFT
BURY ST. EDMUNDS
SUFFOLK, IP31 3JN

