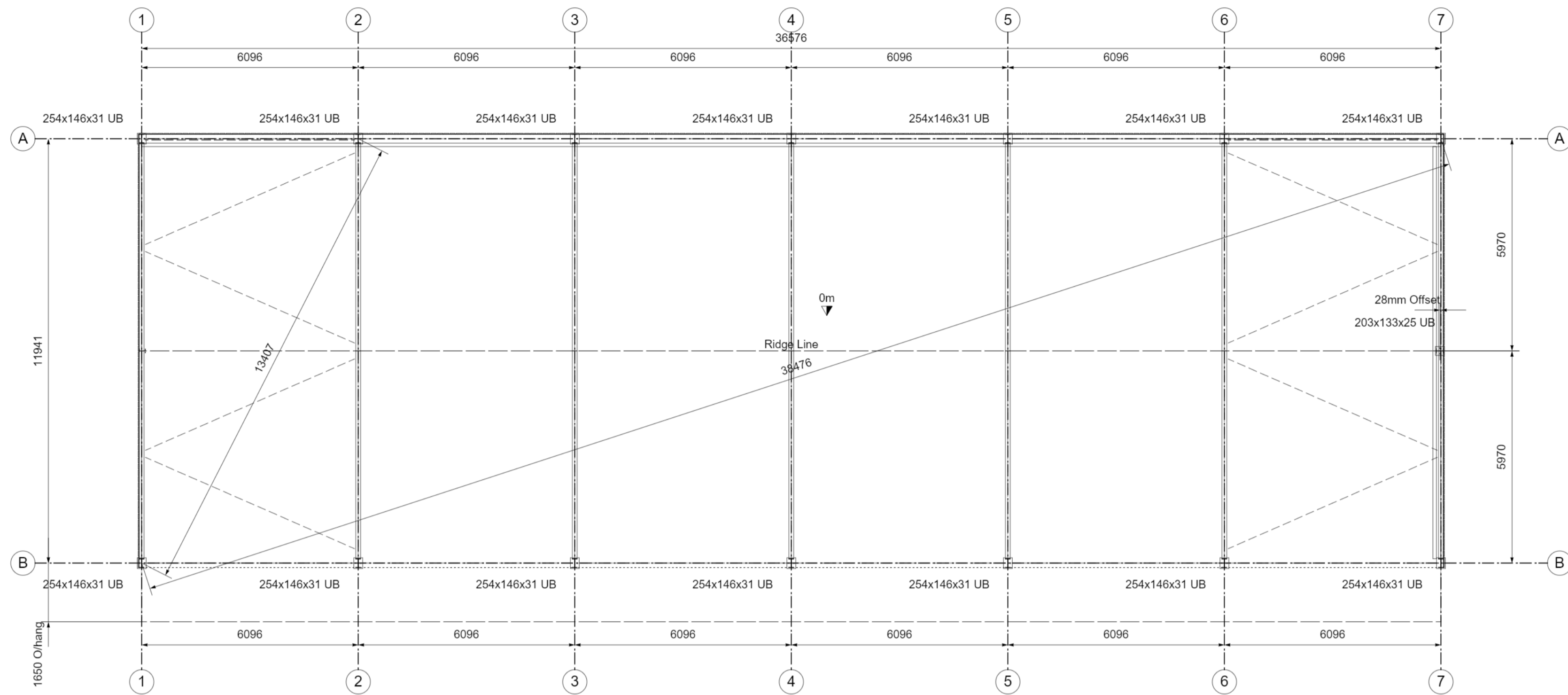
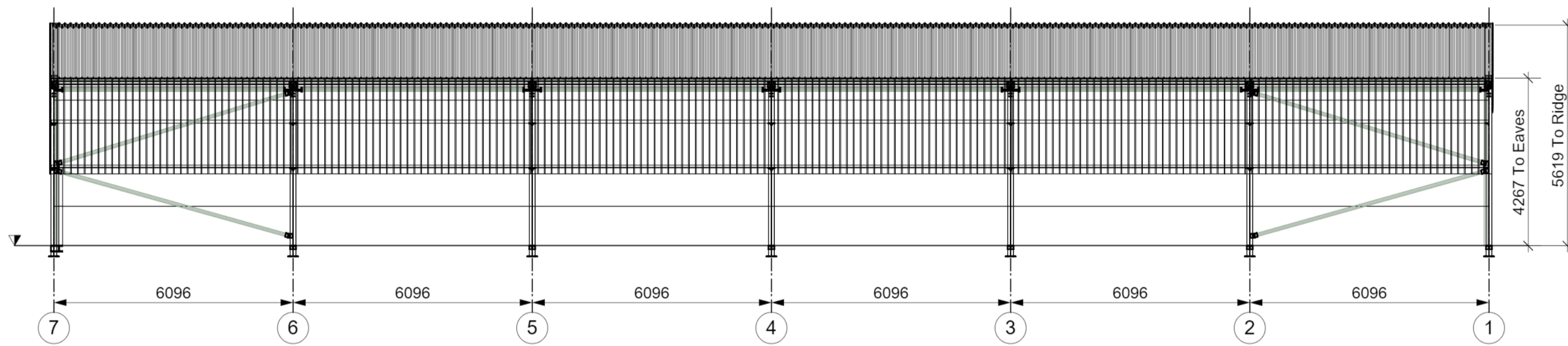


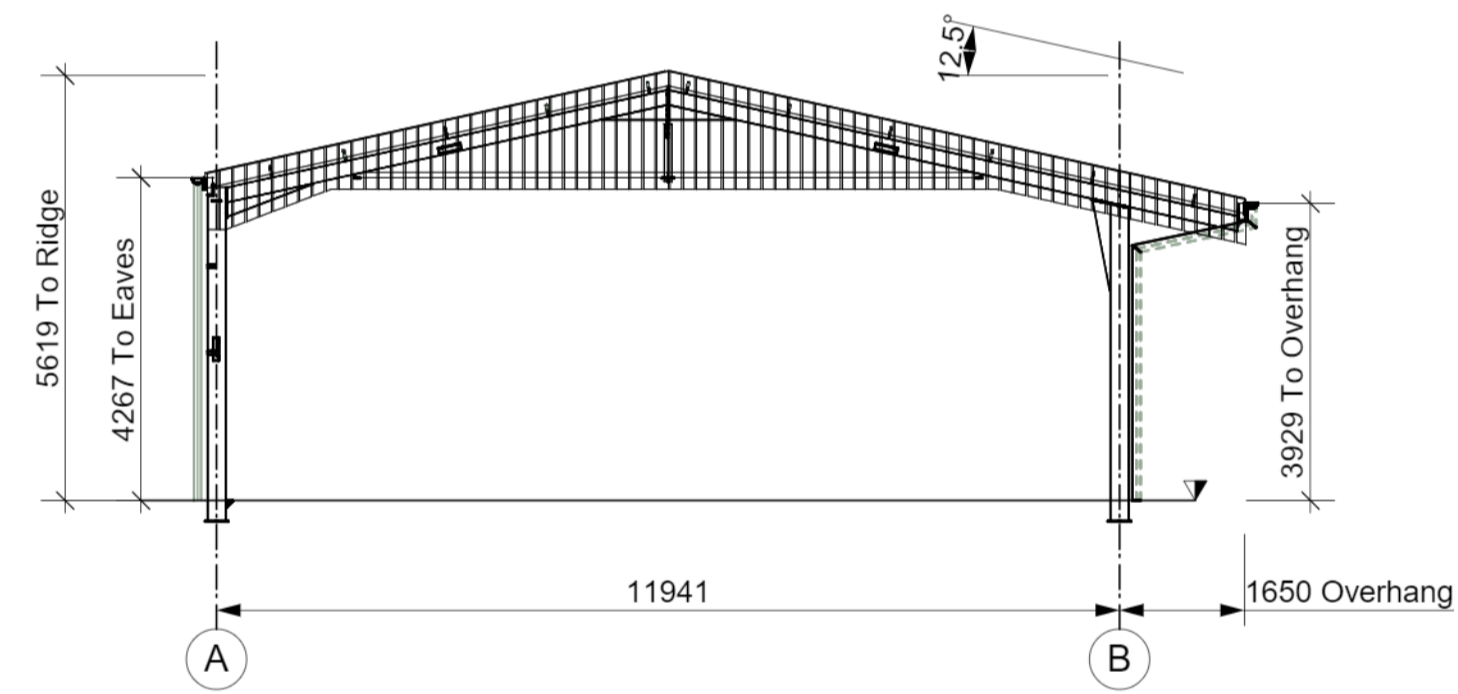
DO NOT SCALE



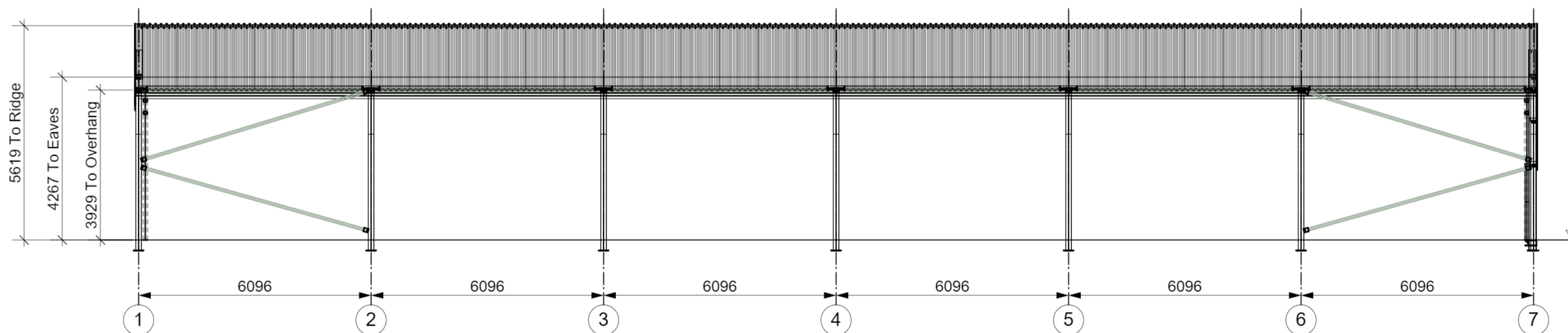
Foundation Plan 1:100



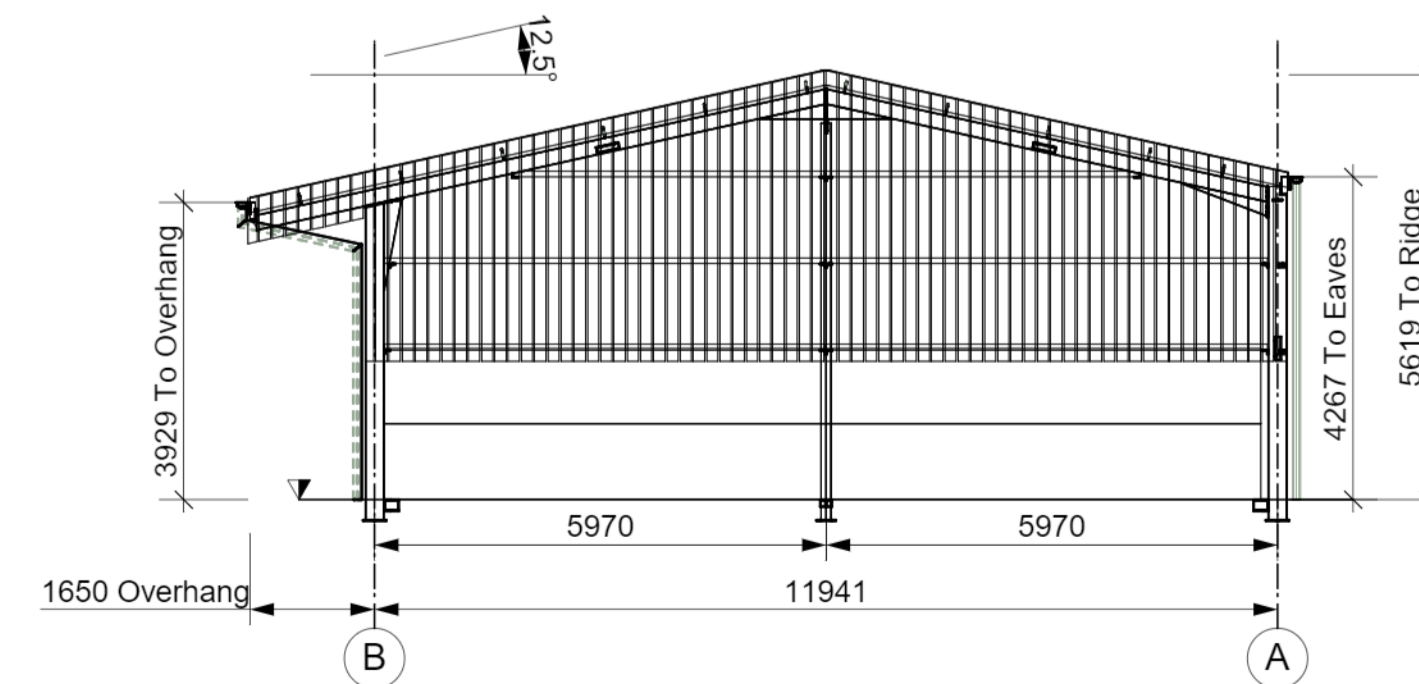
Elevation on Line A 1:100



Elevation on Line 1 1:100



Elevation on Line B 1:100



Elevation on Line 6 1:100

NOTES

- BUILDING DESIGN ALLOWS FOR A SOIL BEARING CAPACITY OF 150kN/sqm.
- *CLIENT TO CONFIRM ACTUAL CAPACITY.*
- SOIL ANALYSIS TO BE ARRANGED BY CLIENT IF REQUIRED.
- STEELWORK SHOTBLAST TO BS SA 2.5 PAINTED 75 MICRONS ZINC PHOSPHATE HIGH BUILD PRIMER COLOUR GREEN BS 14-C-39.
- 3.5 METRE CLEARANCE REQUIRED TO FULL PERIMETER OF BUILDING FOR SAFE ERECTION. WITH FIRM HARDSTANDING SUITABLE FOR ACCESS AND LIFTING PLANT. (UNLESS ATTACHED TO EXISTING BUILDING)
- ALL CONCRETE AND PLANT SUPPLIED BY CLIENT.
- ALL GROUT TO BE SUPPLIED BY CLIENT. (UNLESS AGREED OTHERWISE)
- ALL DIMENSIONS ARE FROM CENTRE TO CENTRE OF STEELWORK ON FOUNDATION PLAN, EXCEPT WHERE STATED OTHERWISE.
- THIS IS HOW WE HAVE INTERPRETED YOUR REQUIREMENTS.
- IF THIS IS INCORRECT COULD YOU PLEASE NOTIFY US VERBALLY OR IN WRITING WITHIN 7 DAYS OF RECEIVING YOUR DRAWING.

I CONFIRM THAT (IF APPLICABLE) THE FINISHED FLOOR LEVEL AS SHOWN ON THIS PLAN IS POSITIONED CORRECTLY.

SIGNED.....DATE.....

REV	DESCRIPTION	DRAWN	APPROVED	DATE

FOR PLANNING NOT FOR CONSTRUCTION

SHUFFLEBOTTOM Ltd.

Cross Hands Business Park
Cross Hands, Llanelli, Carm. S.
Tel: 01269-831831 Fax: 01269-831031

CLIENT
**H RUNCIMAN
CROXTON FARM**

PROJECT
LIVESTOCK BUILDING

DRAWING TITLE
PLANNING DRAWING

DRAWN DL	TRACED	CHECKED	APPROVED	DATE 22/06/2021
SCALE AS SHOWN	DRG No. DL21-05-58	REV		

ORIGINAL DRAWING A1

