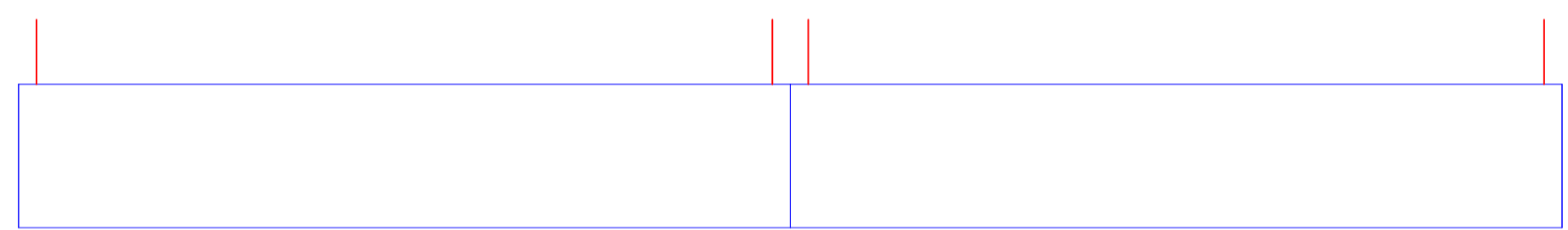


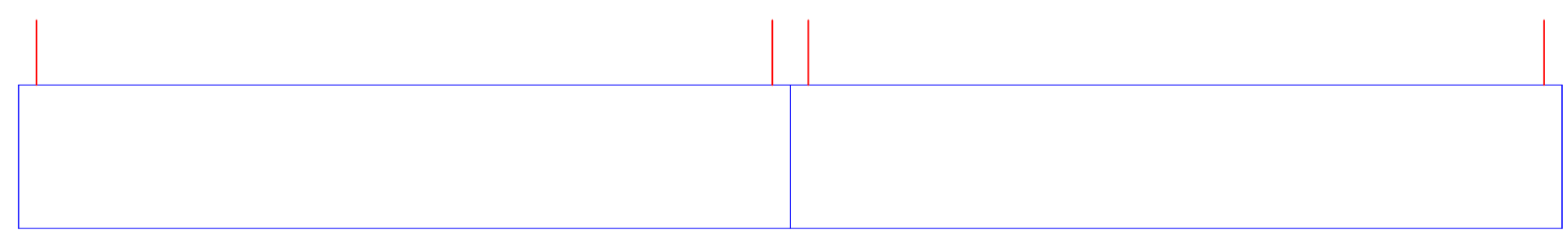
SECTION THROUGH CANOPY @ F - F

FULL LENGTH 45° DOUBLE SIDED EXTRACT PLENUM CONTAINING 16 - 500 X 400 BAFFLE FILTER PANELS WITH GREASE TRAYS.

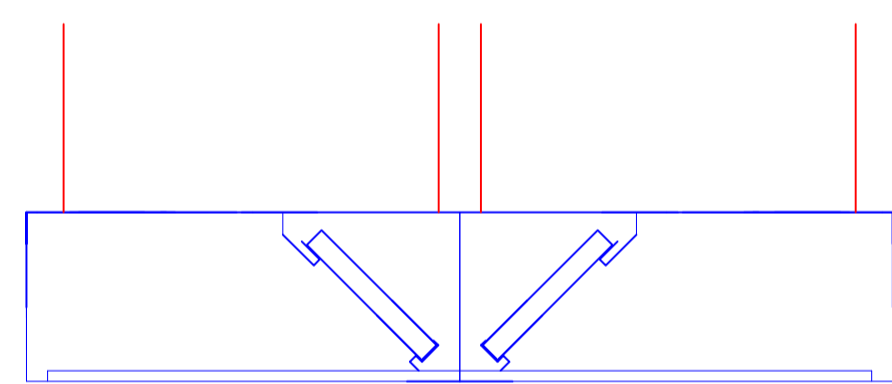
TALK TO MARK ON THIS AS WE ARE PUTTING A SECONDARY FILTER BEHIND



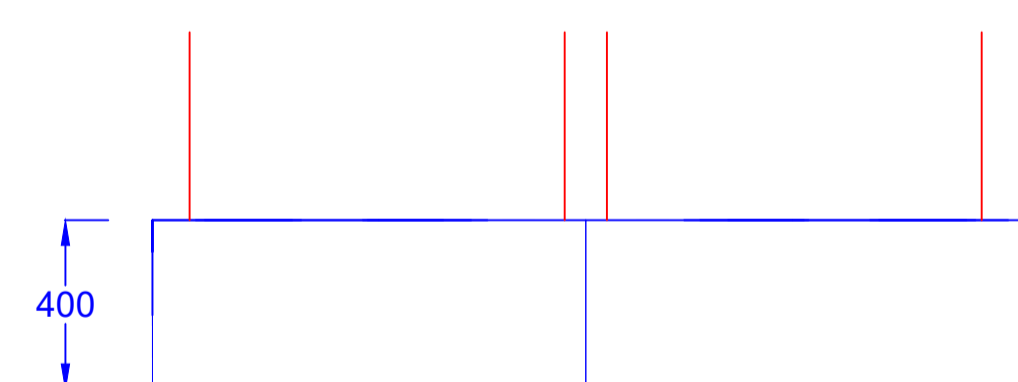
FRONT VIEW OF CANOPY @ F - F



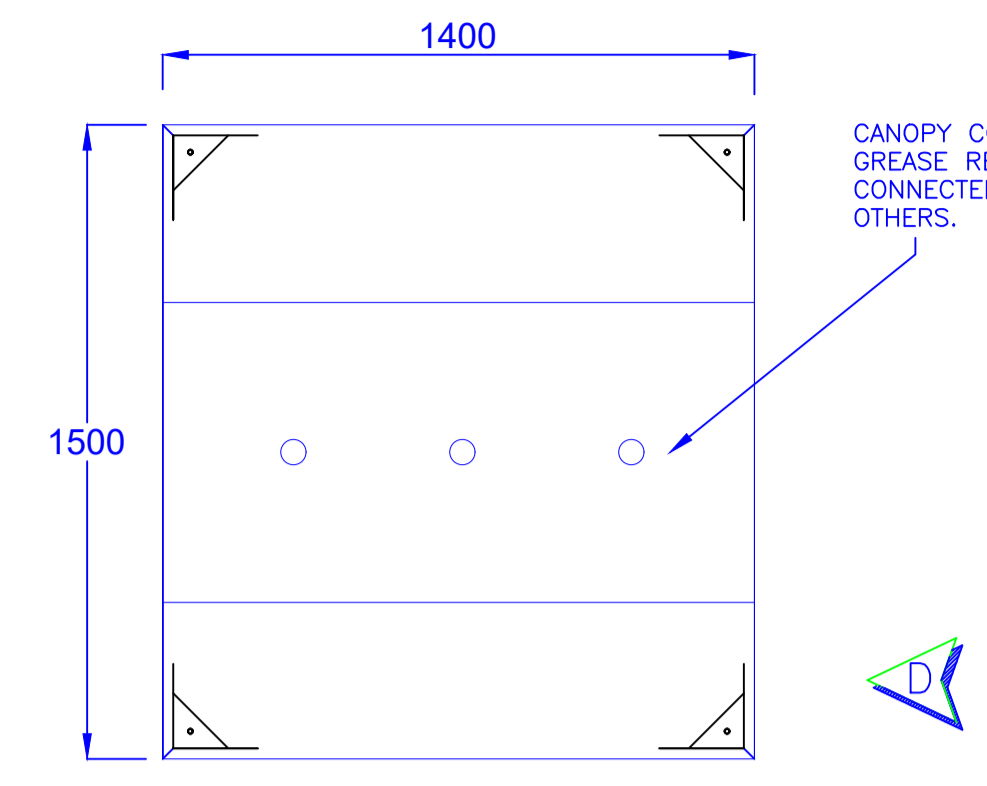
FRONT VIEW OF CANOPY @ F - F



SECTION THROUGH CANOPY @ E - E



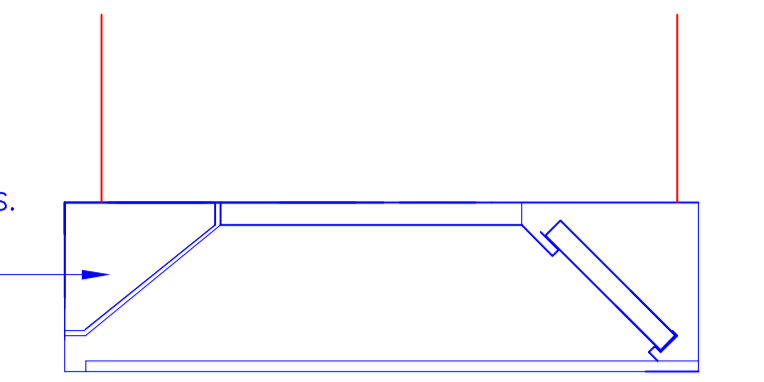
SIDE VIEW OF CANOPY @ E - E



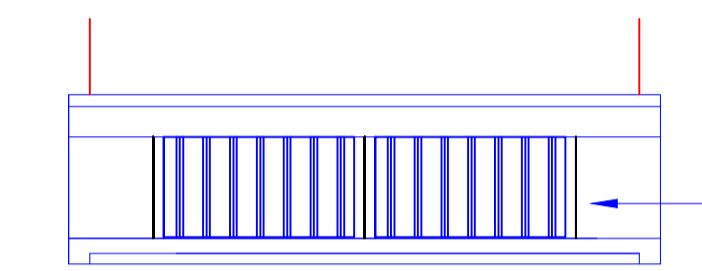
PLAN VIEW OF CANOPY

CANOPY CONTAINS STEAM, HEAT AND GREASE RESISTANT LIGHT FITTINGS TO BE CONNECTED TO THE LIGHTING CIRCUIT BY OTHERS.

FULLY LINED SUPPLY PLENUM FOR ACCOUSTIC AND INSULATION PURPOSES.

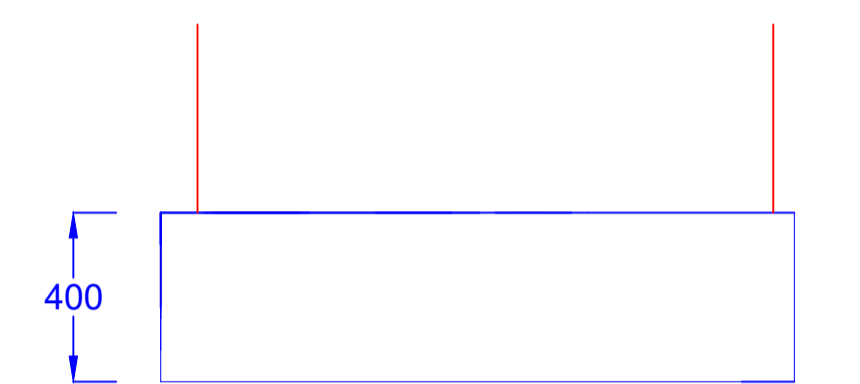


SECTION THROUGH CANOPY @ C - C

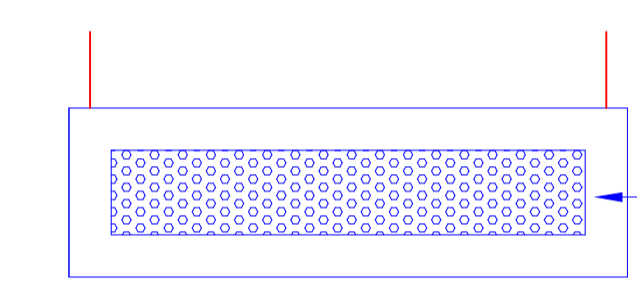


SECTION THROUGH CANOPY @ C - C

FULL LENGTH 45° EXTRACT PLENUM CONTAINING 2 - 500 X 400 BAFFLE FILTER PANELS WITH GREASE TRAYS.



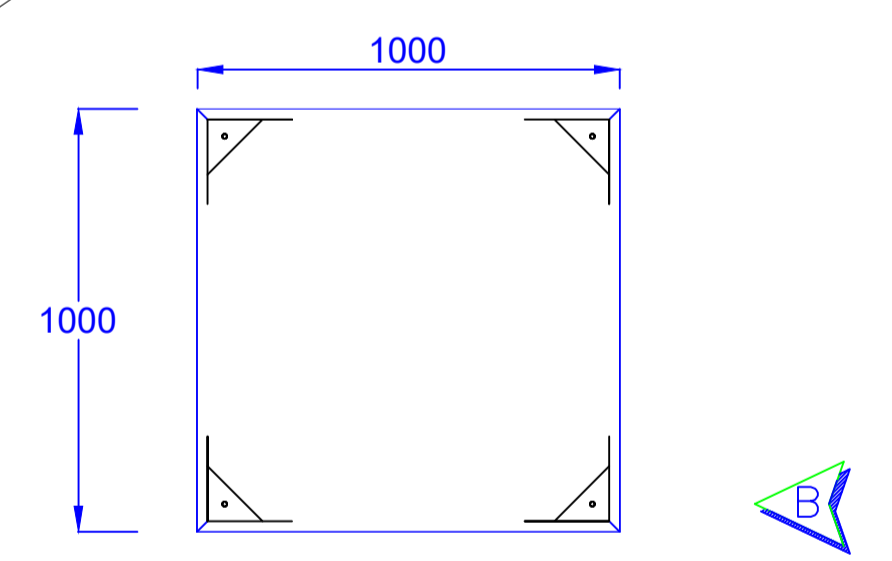
SIDE VIEW OF CANOPY @ C - C



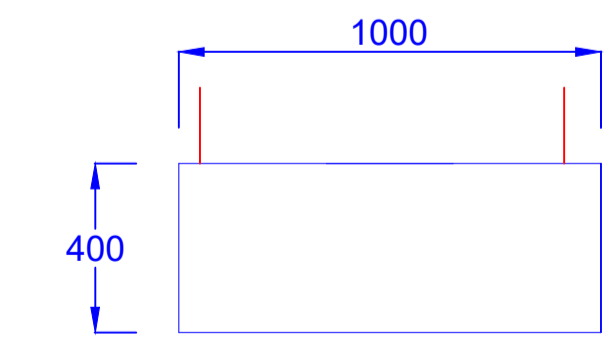
FRONT VIEW OF CANOPY @ A - A

TALK TO MARK ON THIS AS WE ARE PUTTING A SECONDARY FILTER BEHIND

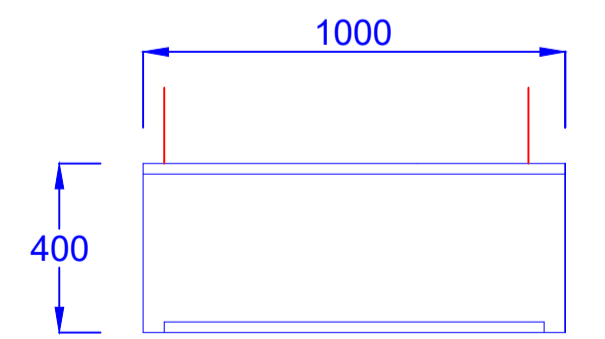
PERFORATED STAINLESS STEEL PANEL TO PROVIDE SUPPLY AIR TO WHOLE OF FRONT FACE OF HOOD.



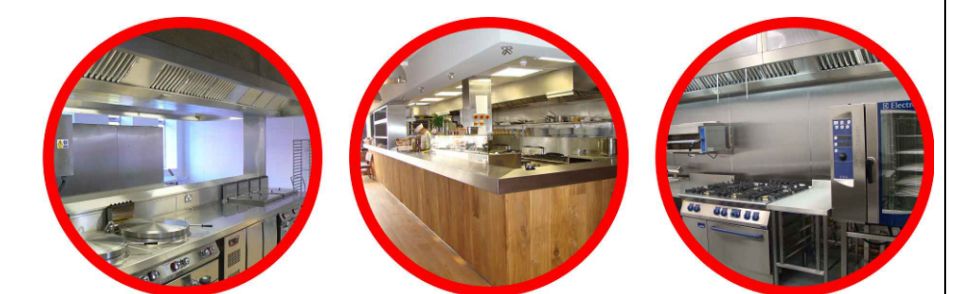
PLAN VIEW OF CONDENSE CANOPY



FRONT VIEW OF CONDENSE CANOPY @ A - A



SECTION THROUGH CONDENSE CANOPY @ B - B



CUSTOMER:	HOME GROWN HOTELS	CONTRACT REF:	SCALE:	1:20	
CONTRACT:	PIG @ MADEHURST	DATE:	20.11.20	DRAWN BY:	JAI GLEN
DESCRIPTION:	VENTILATION HOODS	DRG NO:	N/A	MATERIAL:	N/A
					REVISION: