

MUB/T 100 630D4-K2-L IE3

Centrifugal box fan, 120°C continuous, insulated

Item Number: [229747](#)

Variant: 400V 3~ 50Hz

- High efficient motor IE3
- Speed-controllable via frequency converter
- Integral cold conductor (PTC)
- Low sound level
- Max temperature of transported air up to 120°C
- Easy to maintain and reliable

The MUB/T Thermofans size 630D4-K2 are equipped with high efficient IE3 motors. The MUB/T fans have impellers with backward curved blades, manufactured from aluminum, and IE3 standard motors, which can be speed controlled via frequency converter. Motors are outside the air stream. The casing consists of an aluminum frame with fiberglass reinforced plastic corners and double skin, galvanized steel panels with a 20 mm mineral wool insulation. Panels are removable, allowing flexible ventilation solutions. With quick lock access door. The MUB/T casing is equipped with a condensate tray under the impeller and a protection guard at the motor side. An isolator switch is mounted on the casing. Motor protection is done by cold conductors (PTC), which have to be connected to an external motor protection device. The MUB/T fans are delivered to 90° air direction airflow. MUB with additional modules (filters, heaters etc.) are available as air handling units "K025, K042 or K062" on request!



Technical parameters

Nominal data		
Voltage (Nominal)	400	V
Frequency	50	Hz
Phase(s)	3~	
Motor circuit connection	D	
Input power	5,175	W
Input current	8.38	A
Impeller speed	1,439	r.p.m.
Air flow	max 5.2611	m³/s
Temperature of transported air	max 120	°C
Sound data		
Sound pressure level at 3m (20m² Sabin)	72	dB

Protection/Classification

Enclosure class, motor	IP55
------------------------	------

Insulation class	F
------------------	---

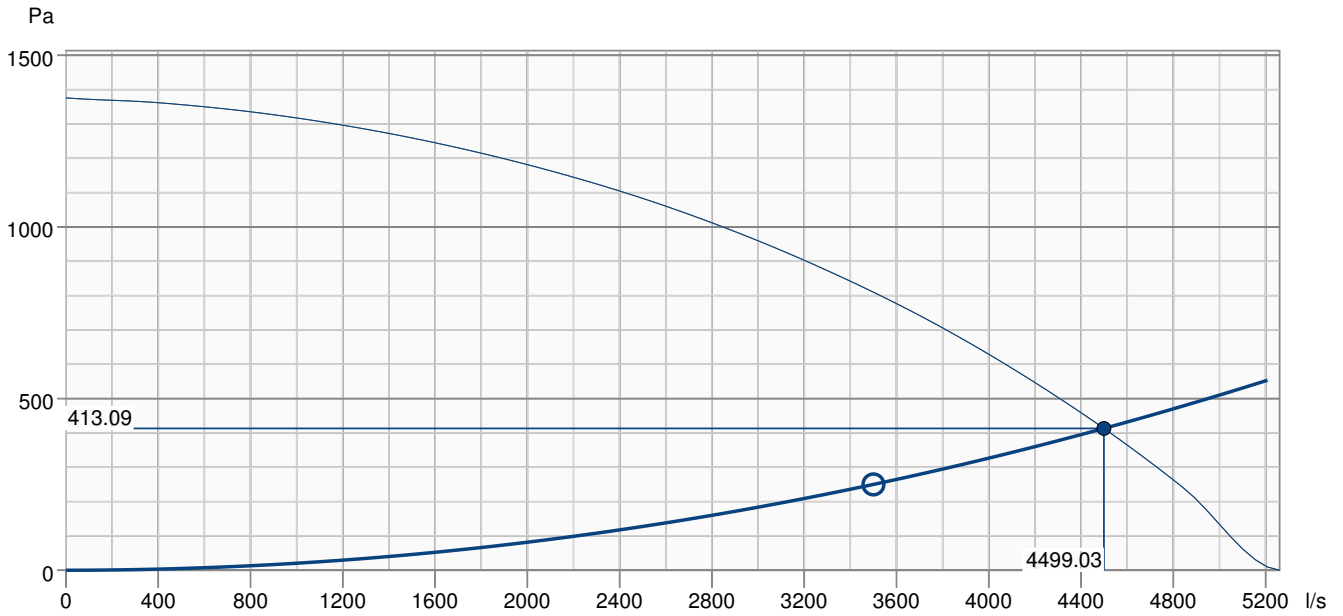
Dimensions and weights

Weight	173 kg
--------	--------

Others

Motor type	AC
------------	----

Performance curve

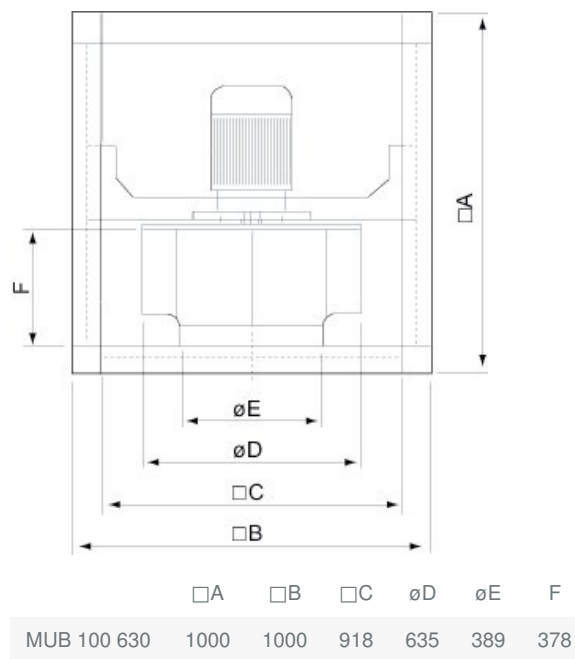


Hydraulic data

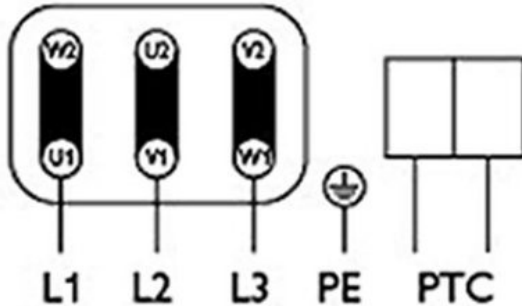
Required air flow	3500.00 l/s
Required static pressure	250 Pa
Working air flow	4499.03 l/s
Working static pressure	413 Pa
Air density	1.204 kg/m ³
Power	4734.0 W
Fan control - RPM	1446 rpm
Current	7.79 A
SFP	1.052 kW/m ³ /s
Control voltage	400.0 V
Supply voltage	400 V

Sound power level		63	125	250	500	1k	2k	4k	8k	Total
Inlet	dB(A)	56	74	77	82	82	84	77	73	88
Outlet	dB(A)	57	75	78	83	83	85	78	74	90
Surrounding	dB(A)	54	67	66	65	67	70	69	66	76
Sound pressure level at 3m (20m ² Sabine)	dB(A)	-	-	-	-	-	-	-	-	69
Sound pressure level at 3m free field	dB(A)	-	-	-	-	-	-	-	-	55

Dimension



Dreiphasenmotor mit Kaltleiter
Three phase motor with cold conductor
Moteur triphasé avec résistance PTC

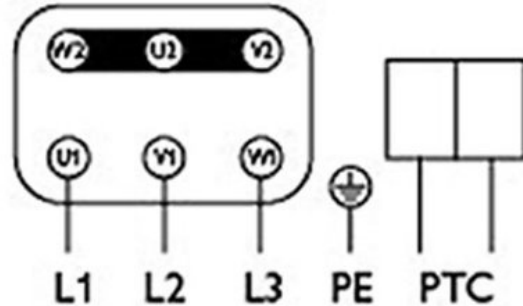


3 x 400V

D Schaltung

Delta connection

Branchement en triangle



3 x 690V

Y Schaltung

Star connection

Branchement en étoile

Drehrichtungsänderung durch Vertauschen von 2 Phasen
Changing of direction of rotation by interchanging of two phases
Changement de sens de rotation par inversion de deux phases

Typenschild beachten! See label! Voir plaque!

Accessories

- FGV 100/916-916 flex. conn. (4199)
- FRQ5-10A+LED V2 (36230)
- FXDM14AM Frequency inv. IP54 (31389)
- SD-MUB Vibration pad set (37324)
- U-EK230E Motor protection (30199)
- FGV 100/916-916 flex. 120°C (38363)
- REV-5POL/05 incl. EMC KIT (34549)
- FRQ-10A V2 (36228)
- FRQ5S-10A+LED V2 (36234)
- REV-5POL/05 ON/OFF (33979)
- TUNE-AHU-DE009-100-918x918-M0 (79883)
- WSD 100 (1060x1060x70) compl. (31483)
- FRQS-10A V2 (36232)
- ALS-KBR drain plug (2727)

Documents

- IMO_MUB_141026_DE,EN,SE,DK,ES,RU_001_311722_WEB.PDF
- EU DECLARATION OF CONFORMITY_THERMOFANS_EN_[002].PDF
- COMMISSIONING REPORT_FANS_160628_EN_001.PDF

Specification