

MUB 062 630D4 IE3 Multibox

Centrifugal box fan, insulated, flexible outlet

Item Number: 37353

Variant: 400V 3~ 50Hz - 90° air flow



- High efficient motor IE3
- Speed-controllable via frequency converter
- Integral cold conductor (PTC)
- Low sound level
- Flexible airflow direction due to removable panels
- Installation in any mounting position
- Easy to maintain and reliable

The MUB fan are equipped with high efficient IE3 motors. The MUB fans have an impeller with backward curved blades, manufactured from aluminum. Speed control is only possible by using a frequency converter. Motor protection is done by cold conductors (PTC), which have to be connected to an external motor protection device. The casing consists of an aluminum frame with fiberglass reinforced plastic corners of PA6; highly shock-resistant. The double skin panels are manufactured from galvanized steel with 20 mm mineral wool insulation. To avoid condensation the profile is provided with a separate chamber to fix screws. The Multibox fans are delivered for straight through airflow but can easily be rebuilt due to removable panels. This allows flexible ventilation solutions. The MUB can also be used as extract- or supply air unit in air handling units. Installation in any mounting position is possible.

MUB with additional modules (filters, heaters etc.) are available as air handling units "K025, K042 or K062" on request!



Technical parameters

Nominal data		
Voltage (Nominal)	400	V
Frequency	50	Hz
Phase(s)	3~	
Input power	4,206	W
Input current	7.22	A
Impeller speed	1,464	r.p.m.
Air flow	max 4.236	m³/s
Temperature of transported air	max 40	°C
Max temperature of transported air, when speed controlled	40	°C

Sound dataSound pressure level at 3m (20m² Sabin)

72 dB(A)

Protection/Classification

Enclosure class, motor

IP55

Insulation class

F

Data according to ErP

ErP ready

ErP 2016; ErP 2018

Dimensions and weights

Weight

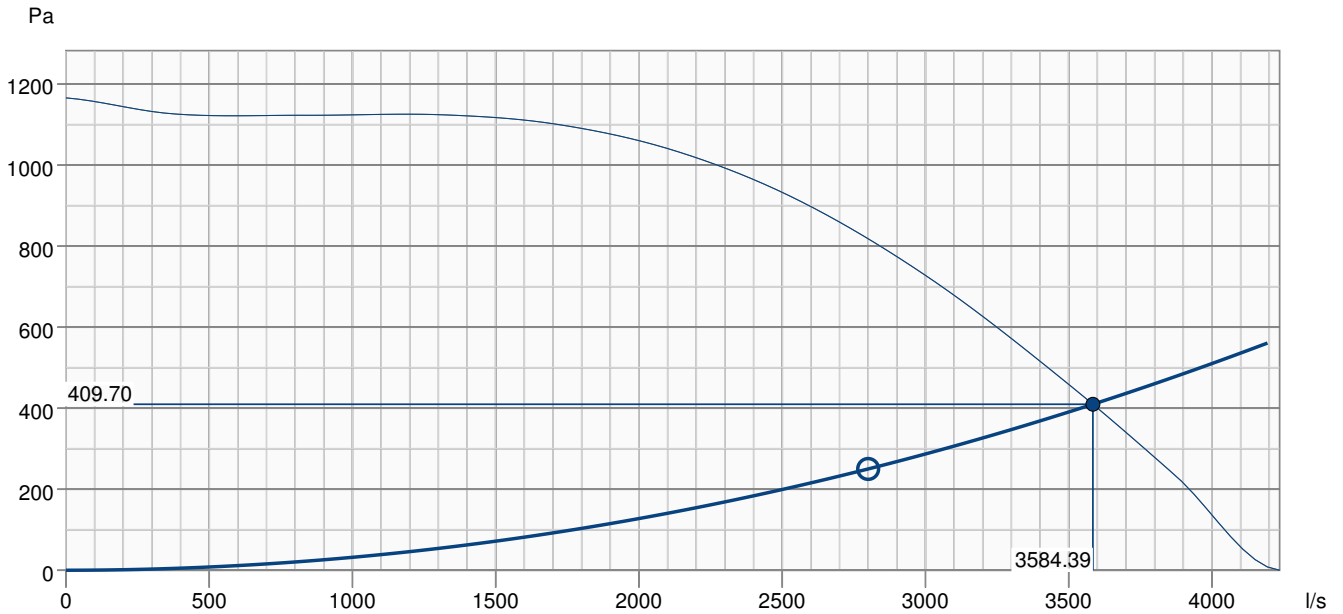
109.8 kg

Others

Motor type

AC

Performance curve

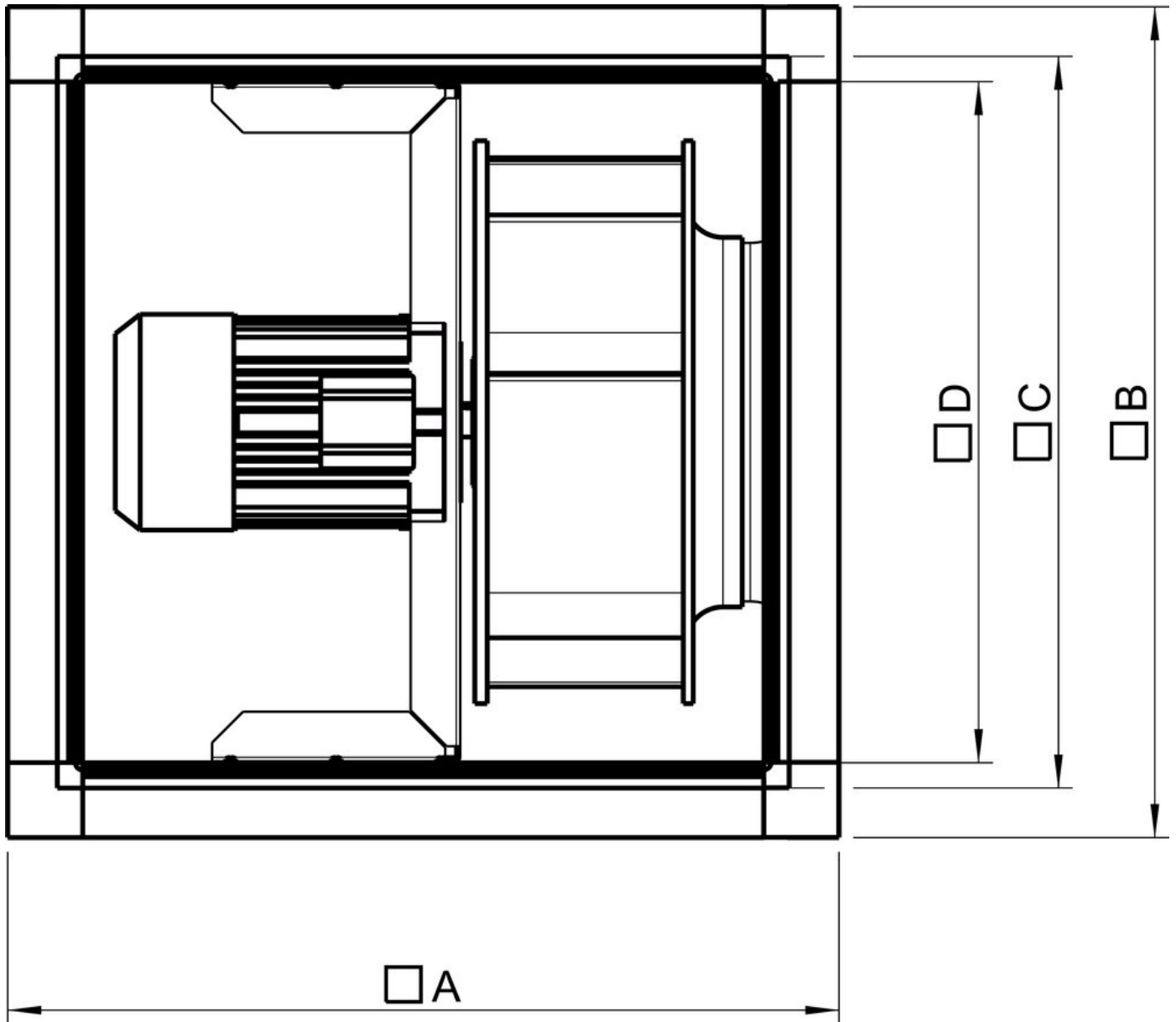


Hydraulic data

Required air flow	2800.00 l/s
Required static pressure	250 Pa
Working air flow	3584.39 l/s
Working static pressure	410 Pa
Air density	1.204 kg/m ³
Power	4138.0 W
Fan control - RPM	1464 rpm
Current	7.13 A
SFP	1.154 kW/m ³ /s
Control voltage	400.0 V
Supply voltage	400 V

Sound power level		63	125	250	500	1k	2k	4k	8k	Total
Inlet	dB(A)	60	80	80	84	85	82	83	74	91
Outlet	dB(A)	62	81	82	86	86	83	84	75	92
Surrounding	dB(A)	55	73	70	69	65	67	71	61	78
Sound pressure level at 3m (20m ² Sabine)	dB(A)	-	-	-	-	-	-	-	-	71
Sound pressure level at 3m free field	dB(A)	-	-	-	-	-	-	-	-	57

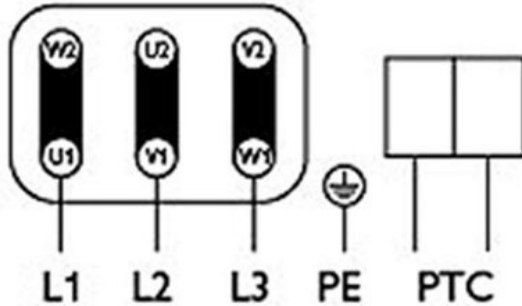
Dimension



□A □B □C □D

MUB 062 630 800 800 720 678

Dreiphasenmotor mit Kaltleiter
Three phase motor with cold conductor
Moteur triphasé avec résistance PTC

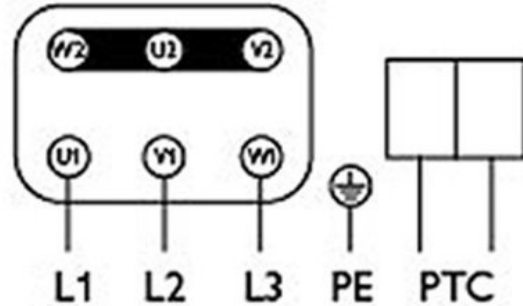


3 x 230V

D Schaltung

Delta connection

Branchement en triangle



3 x 400V

Y Schaltung

Star connection

Branchement en étoile

Drehrichtungsänderung durch Vertauschen von 2 Phasen
Changing of direction of rotation by interchanging of two phases
Changement de sens de rotation par inversion de deux phases

Typenschild beachten! See label! Voir plaque!

Ecodesign

Product		
Trade name	Systemair	
Product name	MUB 062 630D4 IE3	
Ecodesign		
ErP compliance	2018	
Unit category	NRVU	
Drive	External MSD or VSD	
Unit type	UVU	
Heat recovery type	None	
Temperature ratio (UVU)	Not applicable	
qv nom	2.33	m³/s
P nom	4.347	kW
Ps nom	985	Pa
Fan efficiency	52.7	%
External Leakage	5	%
Sound power level LWA	89	dB(A)

Accessories

- CCMI outlet 062 d560 insul KIT (313847)
- FGV 062/716-716 flex. conn. (4198)
- FRQ5-10A+LED V2 (36230)
- FXDM14AM Frequency inv. IP54 (31389)
- SD-MUB Vibration pad set (37324)
- U-EK230E Motor protection (30199)
- WSD 062 (860x860x70) complete (31482)
- FRQS-10A V2 (36232)
- SDM Service Door MUB 062 comp. (32573)
- CCM inlet MUB062 d630 (311783)
- CCM outlet MUB062 d630 (311681)
- CCMI outlet 062 d630 insul KIT (313848)
- FRQ-10A V2 (36228)
- FRQ5S-10A+LED V2 (36234)
- REV-5POL/05 ON/OFF (33979)
- TUNE-AHU-DE008-062-718x718-M0 (79882)
- UGS 062/630 adapter flex. (4358)
- WSG 062 MUB complete (31486)
- REV-5POL/05 incl. EMC KIT (34549)
- CCM inlet MUB062 d560 (311782)
- CCM outlet MUB062 d560 (311684)

Documents

- IMO_MUB_141026_DE,EN,SE,DK,ES,RU_001_311722_WEB.PDF
- EU DECLARATION OF CONFORMITY_MUB_EN_[001].PDF