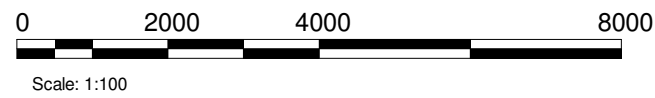
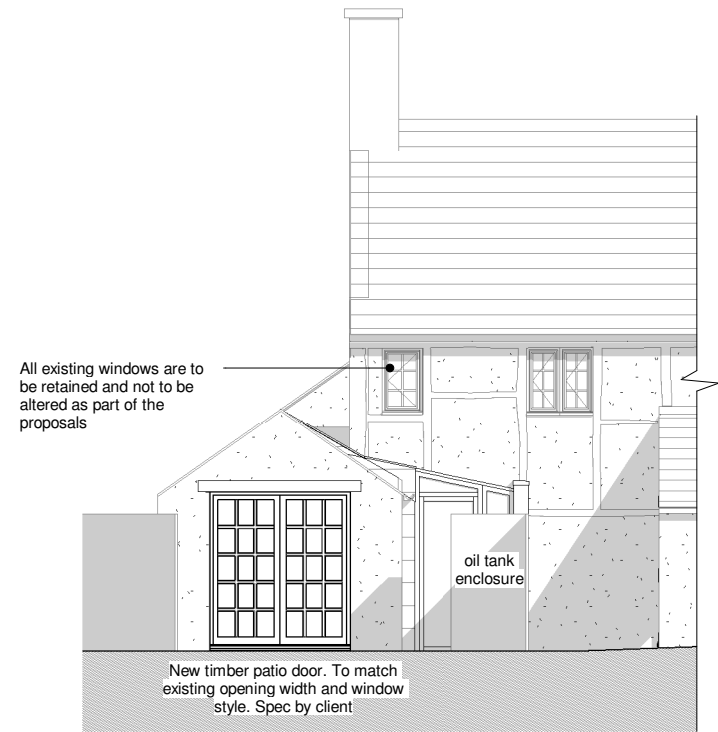


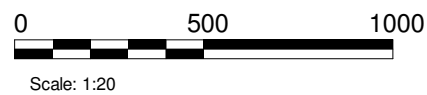
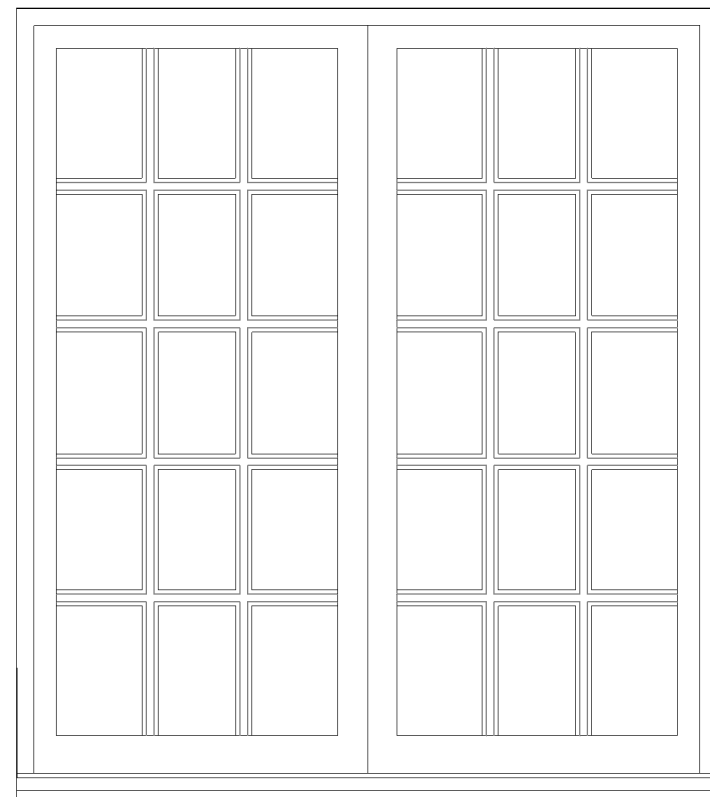
| Rev No. | Date | Drawn | Description |
|---------|------|-------|-------------|
| | | | |



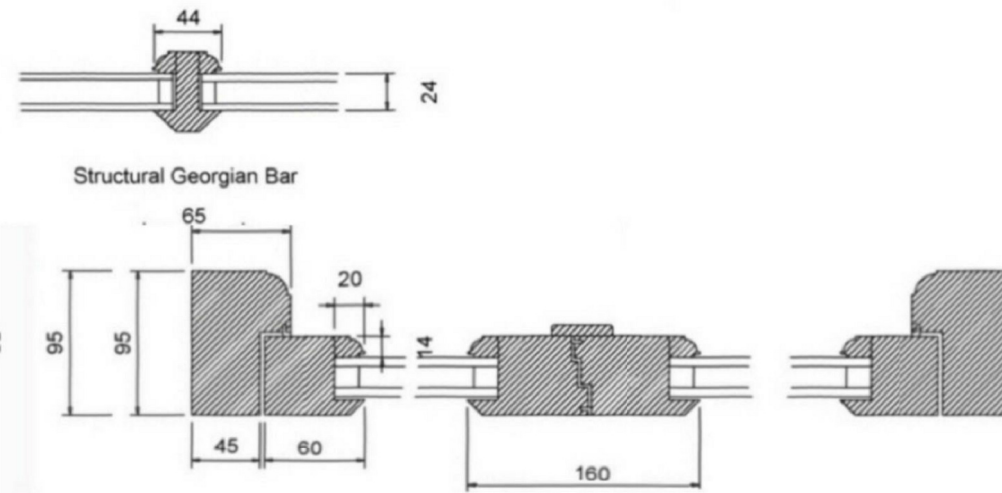
Proposed North/Rear Elevation
1 : 100



Existing timber window within 1990's extension. The window consists of white painted timber frames with a black painted timber sill.

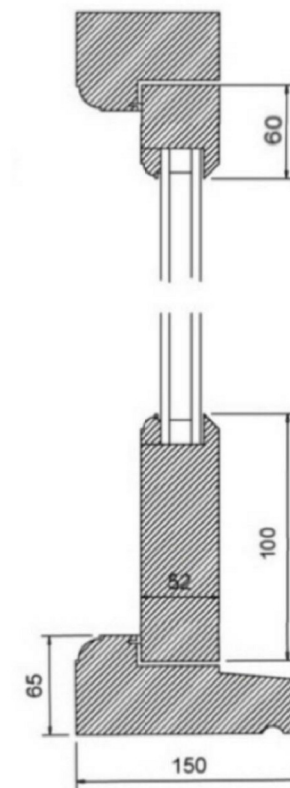


Proposed North Elevation
1 : 20



To near match the glazing proportions to the adjacent window each door leaf will have a 3 pane row and a 6 pane column each individual pane will be approximately 205mm wide x 360mm high This will be the visible glass

Proposed door details
1 : 5



Mr & Mrs Martin
38 The Ave, Worminghall
**Proposed Door
Details**

Elliott Vials
Architect
elliottvials@gmail.com 07883314883