

WALL 3

WALL 2

WALL 4

WALL 1

4400

2000

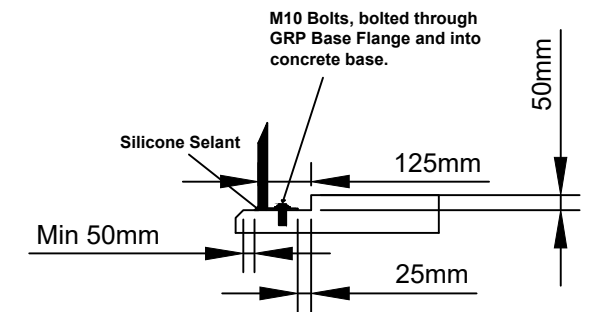
3100

2440

4400

**External Elevation
WALL 3**

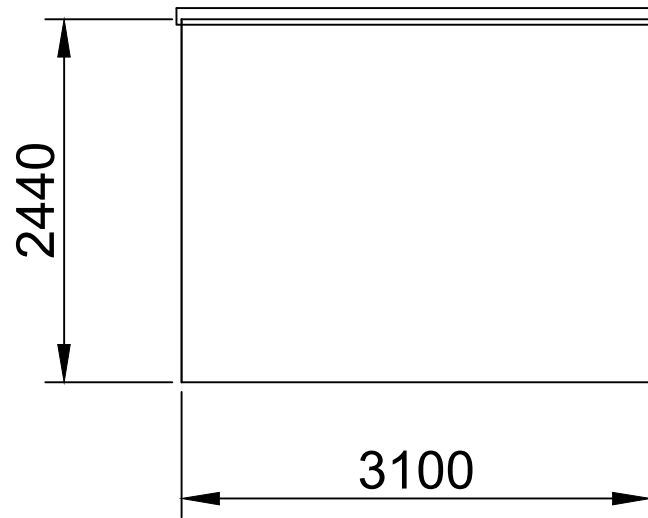
Typical Stepped Concrete Base Detail (Recommended)



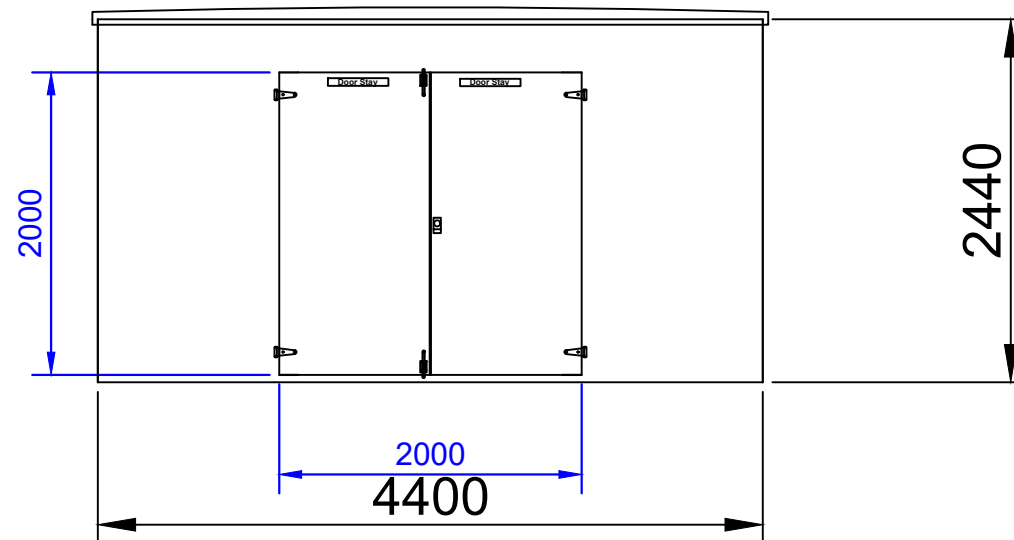
NOTES:

DOUBLE DOOR:

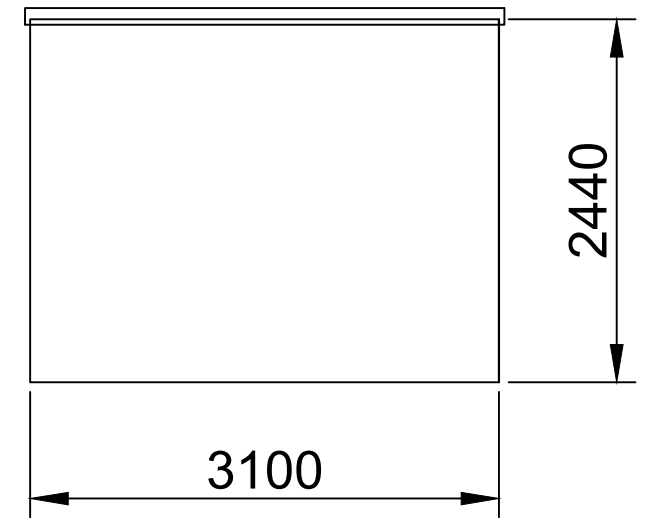
- 1no. 2000mm Wide x 2000mm High
- 4no. Stainless Steel Hinges
- 2no. Stainless Steel Spring Tower Bolts
- 2no. Stainless Steel Door Stays
- 1no. Cylinder Night Latch Lock



**External Elevation
WALL 2**



**External Elevation
WALL 1**



**External Elevation
WALL 4**

Company	Westwood Energy Ltd.	External Finish: Textured : Stipple Effect	Internal Color: White	External Color: Green 14-C-39
Contact	Mark Gregory	Fire Resistance: BS476 Part 22- 1/2 hr.	Base Flange: 100mm GRP Base Flange	Roof Construction: GRP/12mm Ply/GRP
Order #	The Gardens			
DWG #	MG0994	Doors: 1no. Double Door 2000mm x 2000mm (H)	Ventilation:	Wall Construction: GRP/18mm Ply/GRP
Rev	B	Date	11/12/19	Scale
				N/A