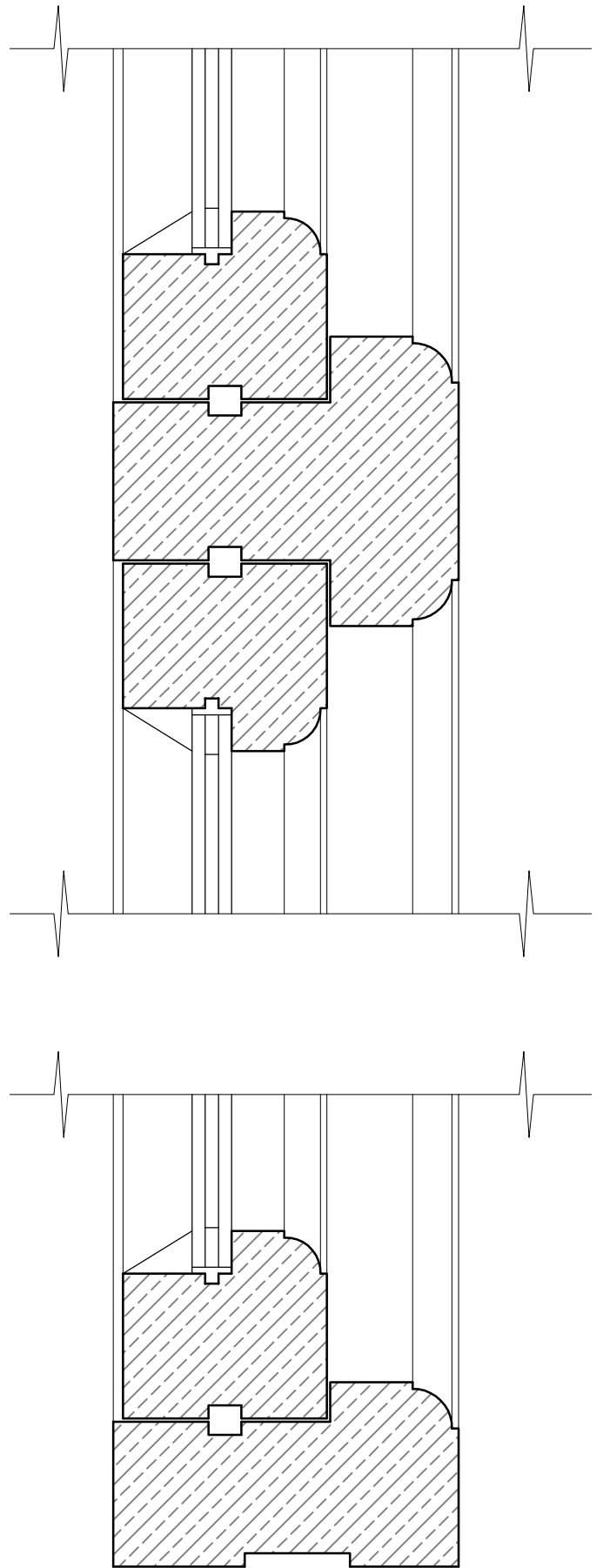


Vertical Section 1:2 @A4  
 Typical Inset Sash Window  
 Double glazing 4:4:4 – Face Puttied



Plan 1:2

IS.3A