



A Homeowner's Guide  
Trusted by Architects, respected by Builders,  
loved by Homeowners

Spring / Summer 2021

the  
Rooflight  
Company

## Our Heritage

Our company was founded by an architect and design underpins everything we do. Our design-led approach is grounded in our introduction of the original Conservation Rooflight® and our drive for innovative products such as neo® and neo Advance. We have an on-going commitment to product development and innovation.

## Our People

Purchasing rooflights through our brand is an assurance of quality, not only of our products but also in our service.

Our quality of service and product is reliant on our people. As such we have defined four key areas that ensure our customers experience this quality, through the performance of our people:



Our people display honesty and professionalism at all times, meaning our customers can trust us and our brand.



Our people have pride in their work and support each other, so our customers receive seamless service, and manufacturing with attention to detail.



Our people respect each other and are working towards the same goals, resulting in efficient guidance and clear answers for customers.



Our people feel involved in the company and that their achievements directly impact the business. As such, every team member strives for success and this effort is evident in our products.



The above unique approach to business has led to us winning the West Oxfordshire Employer of the Year Award at the 2020 West Oxfordshire Business Awards.

## Our Customers

We provide products and services that you will value, because they display strong design, manufacturing excellence and the highest levels of service.

Our rooflights are featured on award-winning landmark buildings. This demonstrates that we are a trusted advisor and supplier for cherished properties whether they are sites of historical or architectural significance or much-loved homes.





# Inside

- 3 / The Conservation Rooflight®
- 4 / The Conservation Rooflight® Sizes
- 5 / The Conservation Plateau Rooflight
- 6 / The Conservation Plateau Rooflight Sizes
- 7 / neo® Rooflight
- 8 / neo® Rooflight Sizes
- 9 / neo Advance Rooflight
- 10 / neo Advance Rooflight Sizes
- 11 / Bespoke Design Service
- 12 / Bespoke Portfolio
- 13 / Studio Range
- 14 / Studio Examples
- 17 / The Conservation Lantern Rooflight
- 18 / The Conservation Lantern Rooflight Sizes
- 19 / The Conservation Pyramid Rooflight
- 20 / The Conservation Pyramid Rooflight Sizes
- 21 / Secured by Design Rooflights
- 22 / Conservation Secured by Design Rooflights Sizes
- 23 / neo Plateau Secured by Design Rooflights Sizes
- 24 / Added Security
- 25 / Added Security Sizes
- 27 / Blinds

## How to use this Brochure

We've pulled together some of our best photography along with size and price information to help you to decide if you'd like to buy from us (and there is much more information on our website).

Throughout this book you will notice the following icons:



This rooflight range is available to buy from our Online Shop



Find out more about opening options on our website



A wide selection of roller or pleated blinds available on our website



A variety of application case studies available on our website

When you've decided which roof window is the most appropriate for your home, show your architect or contractor this brochure and you can either buy from us online or we'd be happy to liaise with them by telephone.

# The Conservation Rooflight®



Homeowners appreciate the Conservation Rooflight® because:

- It meets modern building standards including Conservation, English Heritage and the National Trust
- It features traditional lines and an elegant exterior to replicate the original victorian rooflight
- We invented it. It has the most authentic design and so retains the character and value of their home
- The linings on the inside go right up to the glass, giving a clean internal finish
- The Rooflight Company is an established, trusted, employee-owned British company

**For more technical information visit**

**[www.therooflightcompany.co.uk/all-products/conservation/](http://www.therooflightcompany.co.uk/all-products/conservation/)**

**or call 01993 833155**

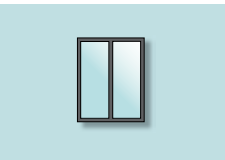


# The Conservation Rooflight® Sizes

<p>Structural dimensions (W) 412mm x (L) 520mm</p>  <p>Viewable dimensions (W) 212mm x (L) 320mm <b>CR06-1</b></p>	<p>Structural dimensions (W) 463mm x (L) 622mm</p>  <p>Viewable dimensions (W) 263mm x (L) 422mm <b>CR07-2</b></p>	<p>Structural dimensions (W) 565mm x (L) 725mm</p>  <p>Viewable dimensions (W) 365mm x (L) 525mm <b>CR01-2</b></p>	<p>Structural dimensions (W) 565mm x (L) 1028mm</p>  <p>Viewable dimensions (W) 365mm x (L) 828mm <b>CR03-2</b></p>	<p>Structural dimensions (W) 615mm x (L) 875mm</p>  <p>Viewable dimensions (W) 415mm x (L) 675mm <b>CR08-2</b></p>	<p>Structural dimensions (W) 717mm x (L) 1028mm</p>  <p>Viewable dimensions (W) 517mm x (L) 828mm <b>CR09-2</b></p>	<p>Structural dimensions (W) 717mm x (L) 1180mm</p>  <p>Viewable dimensions (W) 517mm x (L) 980mm <b>CR10-2</b></p>
<p>Structural dimensions (W) 717mm x (L) 1333mm</p>  <p>Viewable dimensions (W) 517mm x (L) 1133mm <b>CR14-2</b></p>	<p>Structural dimensions (W) 717mm x (L) 1635mm</p>  <p>Viewable dimensions (W) 517mm x (L) 1435mm <b>CR15-2</b></p>	<p>Structural dimensions (W) 1021mm x (L) 725mm</p>  <p>Viewable dimensions (W) 821mm x (L) 525mm <b>CR01-3</b></p>	<p>Structural dimensions (W) 869mm x (L) 1028mm</p>  <p>Viewable dimensions (W) 669mm x (L) 828mm <b>CR11-3</b></p>	<p>Structural dimensions (W) 1021mm x (L) 1180mm</p>  <p>Viewable dimensions (W) 821mm x (L) 980mm <b>CR13-3</b></p>	<p>Structural dimensions (W) 1021mm x (L) 1333mm</p>  <p>Viewable dimensions (W) 821mm x (L) 1133mm <b>CR14-3</b></p>	<p>Structural dimensions (W) 1021mm x (L) 1635mm</p>  <p>Viewable dimensions (W) 821mm x (L) 1435mm <b>CR15-3</b></p>

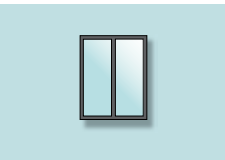
## Accessories

Structural dimensions  
(W) 888mm x (L) 1114mm




Viewable dimensions  
(W) 537mm x (L) 848mm  
**E1LG**

Structural dimensions  
(W) 888mm x (L) 1114mm



Viewable dimensions  
(W) 537mm x (L) 848mm  
**E1RG**

**OPTK** 150mm Brass Pole Winder



**OPTD** 300mm Brass Telescopic Pole Winder (Shown)

**OPTA** 150mm Brass Hand Winder



**OPTE** 300mm Brass Telescopic Hand Winder (Shown)

**OPT A** Supermaster



**OPT B** Mac Motor



**OPTL** 150mm Chrome Pole Winder



**OPTC** 300mm Chrome Telescopic Pole Winder (Shown)

**OPTJ** 150mm Chrome Hand Winder



**OPTB** 300mm Chrome Telescopic hand winder (Shown)

**HE004-A** Switch



## Blinds



A manual blackout roller blind.



A manual single pleat blind.

## Colour Options

We have over eighty different colour options available for our roller and pleated blinds. More information can be found on our website, within the product pages. Material swatches can also be sent to you via post. Call 01993 833155 to speak to an advisor.

# The Conservation Plateau Rooflight



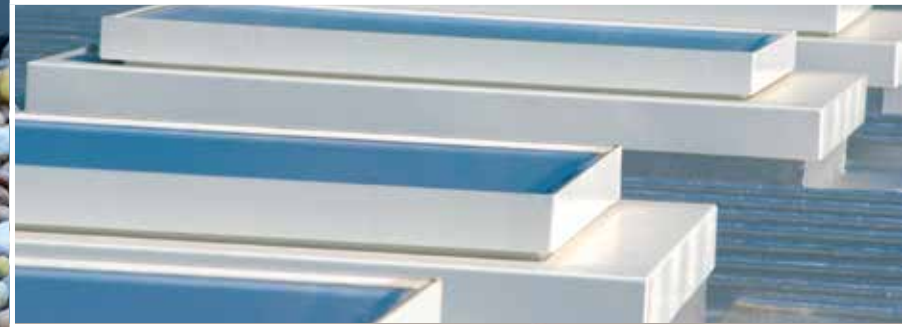
Homeowners appreciate our Conservation Plateau Rooflight because:

- ✦ It is the only Heritage flat rooflight available due to the authentic skirt design
- ✦ The linings on the inside go right up to the glass, giving a clean internal finish
- ✦ Features our unique Thermoliner detail to minimise the risk of condensation and mould

**For more technical information visit**

**[www.therooflightcompany.co.uk/all-products/crplateau](http://www.therooflightcompany.co.uk/all-products/crplateau)**

or call **01993 833155**



# The Conservation Plateau Rooflight Sizes

<p>Internal Structural dimensions (W) 625mm x (L) 625mm</p>  <p>Viewable dimensions (W) 542mm x (L) 542mm <b>PL01</b></p>	<p>Internal Structural dimensions (W) 925mm x (L) 625mm</p>  <p>Viewable dimensions (W) 842mm x (L) 542mm <b>PL07</b></p>	<p>Internal Structural dimensions (W) 925mm x (L) 925mm</p>  <p>Viewable dimensions (W) 842mm x (L) 842mm <b>PL02</b></p>	<p>Internal Structural dimensions (W) 1225mm x (L) 625mm</p>  <p>Viewable dimensions (W) 1142mm x (L) 542mm <b>PL08</b></p>	<p>Internal Structural dimensions (W) 1225mm x (L) 925mm</p>  <p>Viewable dimensions (W) 1142mm x (L) 842mm <b>PL09</b></p>	<p>Internal Structural dimensions (W) 1225mm x (L) 1225mm</p>  <p>Viewable dimensions (W) 1142mm x (L) 1142mm <b>PL03</b></p>	<p>Internal Structural dimensions (W) 1525mm x (L) 925mm</p>  <p>Viewable dimensions (W) 1442mm x (L) 842mm <b>PL10</b></p>
<p>Internal Structural dimensions (W) 1525mm x (L) 1225mm</p>  <p>Viewable dimensions (W) 1442mm x (L) 1142mm <b>PL11</b></p>	<p>Internal Structural dimensions (W) 1525mm x (L) 1525mm</p>  <p>Viewable dimensions (W) 1442mm x (L) 1442mm <b>PL04</b></p>	<p>Internal Structural dimensions (W) 2025mm x (L) 1025mm</p>  <p>Viewable dimensions (W) 1942mm x (L) 942mm <b>PL18</b></p>	<p>Internal Structural dimensions (W) 2025mm x (L) 1525mm</p>  <p>Viewable dimensions (W) 1942mm x (L) 1442mm <b>PL12</b></p>	<p>Internal Structural dimensions (W) 925mm x (L) 1525mm</p>  <p>Viewable dimensions (W) 842mm x (L) 1442mm <b>PL22</b></p>	<p>Internal Structural dimensions (W) 1025mm x (L) 2025mm</p>  <p>Viewable dimensions (W) 942mm x (L) 1942mm <b>PL24</b></p>	
<p>Internal Structural dimensions (W) 625mm x (L) 625mm</p>  <p>Viewable dimensions (W) 476mm x (L) 476mm <b>PL05</b></p>	<p>Internal Structural dimensions (W) 925mm x (L) 925mm</p>  <p>Viewable dimensions (W) 776mm x (L) 776mm <b>PL06</b></p>	<p>Internal Structural dimensions (W) 925mm x (L) 625mm</p>  <p>Viewable dimensions (W) 776mm x (L) 476mm <b>PL13</b></p>	<p>Internal Structural dimensions (W) 1225mm x (L) 625mm</p>  <p>Viewable dimensions (W) 1076mm x (L) 476mm <b>PL14</b></p>	<p>Internal Structural dimensions (W) 1225mm x (L) 925mm</p>  <p>Viewable dimensions (W) 1076mm x (L) 776mm <b>PL15</b></p>		<p><input type="checkbox"/> Egress/Access Plateau Rooflights</p> <p><input type="checkbox"/> Hinged on shorter section</p>

## Accessories

<p><b>OPTK</b> 150mm Brass Pole Winder</p> 	<p><b>OPTA</b> 150mm Brass Hand Winder</p> 	<p><b>OPTA</b> Supermaster</p> 	<p><b>OPT B</b> Mac Motor</p> 	<p><b>OPTL</b> 150mm Chrome Pole Winder</p> 	<p><b>OPTJ</b> 150mm Chrome Hand Winder</p> 	<p><b>HE004-A</b> Switch</p> 
<p><b>OPTD</b> 300mm Brass Telescopic Pole Winder (Shown)</p> 	<p><b>OPT E</b> 300mm Brass Telescopic Hand Winder (Shown)</p> 			<p><b>OPTC</b> 300mm Chrome Telescopic Pole Winder (Shown)</p> 	<p><b>OPTB</b> 300mm Chrome Telescopic hand winder (Shown)</p> 	



Suitable for flat roofs between 3° and 20°

# neo<sup>®</sup>

The only rooflight with concealed jamb motors for a completely uncluttered view



## Homeowners appreciate our neo<sup>®</sup> Rooflight because:

- We're known as the Grand Designs of rooflights – for high-end prestigious projects homeowners really appreciate the wow-factor they bring
- We are the pitch roof experts; the first to perfect the look of a pane of a glass inside and out, including concealed jamb motors which no one else offers
- We state the whole unit U-Value of our product (rather than the glass centre pane value)
- The Rooflight Company is an established, trusted, employee-owned British company

**For more technical information visit**

**[www.therooflightcompany.co.uk/all-products/neo/](http://www.therooflightcompany.co.uk/all-products/neo/)**

or call **01993 833155**





# neo® Sizes

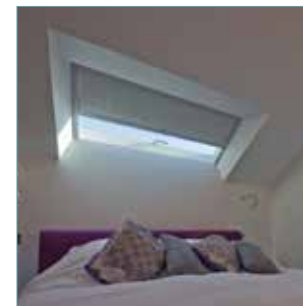
<p>Structural dimensions (W) 645mm x (L) 805mm</p>  <p>Viewable dimensions (W) 373mm x (L) 539mm <b>neo-02</b></p>	<p>Structural dimensions (W) 645mm x (L) 1108mm</p>  <p>Viewable dimensions (W) 379mm x (L) 842mm <b>neo-03</b></p>	<p>Structural dimensions (W) 727mm x (L) 1027mm</p>  <p>Viewable dimensions (W) 461mm x (L) 761mm <b>neo-04</b></p>	<p>Structural dimensions (W) 727mm x (L) 1422mm</p>  <p>Viewable dimensions (W) 461mm x (L) 1156mm <b>neo-05</b></p>	<p>Structural dimensions (W) 797mm x (L) 1108mm</p>  <p>Viewable dimensions (W) 531mm x (L) 842mm <b>neo-06</b></p>	<p>Structural dimensions (W) 882mm x (L) 1222mm</p>  <p>Viewable dimensions (W) 616mm x (L) 956mm <b>neo-07</b></p>	<p>Structural dimensions (W) 882 x (L) 1717mm</p>  <p>Viewable dimensions (W) 616mm x (L) 1451mm <b>neo-08</b></p>
<p>Structural dimensions (W) 1101mm x (L) 1413mm</p>  <p>Viewable dimensions (W) 835mm x (L) 1147mm <b>neo-09</b></p>	<p>Structural dimensions (W) 1207mm x (L) 1802mm</p>  <p>Viewable dimensions (W) 941mm x (L) 1536mm <b>neo-10</b></p> <p>Fixed shut only</p>	<p>Structural dimensions (W) 1222mm x (L) 882mm</p>  <p>Viewable dimensions (W) 956mm x (L) 616mm <b>neo-11</b></p>	<p>Structural dimensions (W) 1717mm x (L) 882mm</p>  <p>Viewable dimensions (W) 1451mm x (L) 616mm <b>neo-12</b></p>	<p>Structural dimensions (W) 882mm x (L) 882mm</p>  <p>Viewable dimensions (W) 616mm x (L) 616mm <b>neo-14</b></p>	<p>Structural dimensions (W) 1207mm x (L) 1207mm</p>  <p>Viewable dimensions (W) 941mm x (L) 941mm <b>neo-15</b></p>	<p>Structural dimensions (W) 1802mm x (L) 1207mm</p>  <p>Viewable dimensions (W) 1536mm x (L) 941mm <b>neo-13</b></p> <p>Fixed shut only</p>

## Accessories



Please note, cill and jamb motors are concealed within the frame.

## Blinds



A manual blackout roller blind.



A manual single pleat blind.

## Colour Options

We have over eighty different colour options available for our roller and pleated blinds. More information can be found on our website, within the product pages. Material swatches can also be sent to you via post. Call 01993 833155 to speak to an advisor.



Suitable for pitched roofs between 20° and 60°

# neo<sup>+</sup> Advance

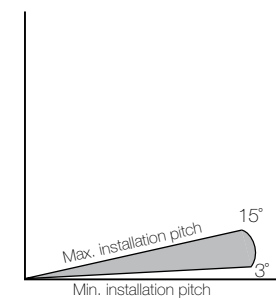
neo<sup>+</sup>  
Advance

Homeowners appreciate the neo<sup>+</sup> Advance Rooflight because:

**Our patented thermal shield design blocks heat passing through the aluminium frame.**

- Free from unsightly fixings inside and out with easy installation
- No condensation and mould problems thanks to our unique thermal shield technology
- Achieves whole window U-value of 1.06 W/m<sup>-2</sup>K for a double glazed rooflight
- Aluminium frame is ideal for coastal locations
- Multiple standard sizes available

Pitch Guide



**For more technical information visit**

[www.therooflightcompany.co.uk/all-products/neo-advance](http://www.therooflightcompany.co.uk/all-products/neo-advance)


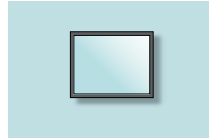





or call **01993 833155**

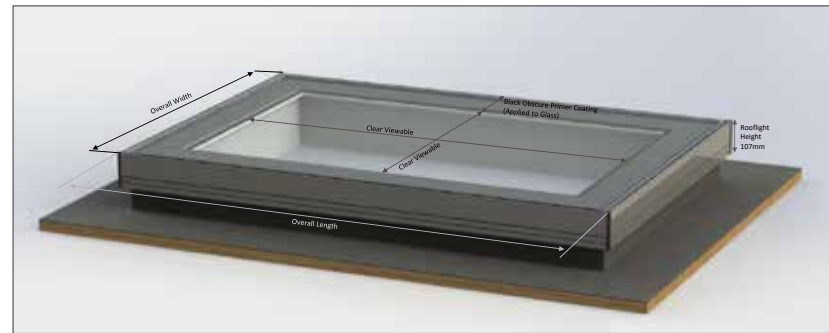
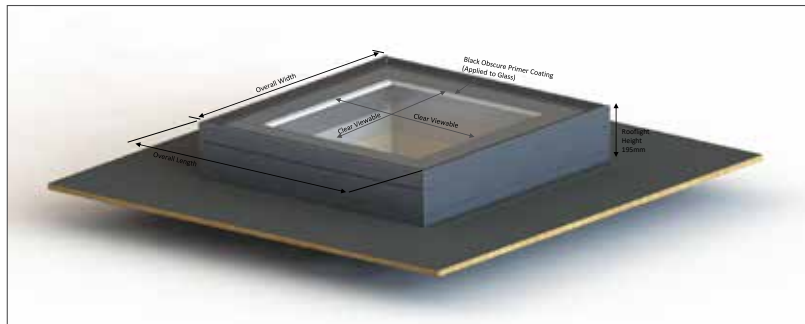
**Suitable for flat roofs**

## neo<sup>®</sup> Advance Opening Option

<p>Finished External Kerb (W) 1000mm x (L) 1000mm</p>  <p>Viewable dimensions Opening <b>NFO-01</b> (W) 734mm x (L) 734mm</p>	<p>Finished External Kerb (W) 1200mm x (L) 1000mm</p>  <p>Viewable dimensions Opening <b>NFO-02</b> (W) 934mm x (L) 734mm</p>	<p>Finished External Kerb (W) 1200mm x (L) 1200mm</p>  <p>Viewable dimensions Opening <b>NFO-03</b> (W) 934mm x (L) 934mm</p>
<p>Finished External Kerb (W) 1500mm x (L) 1500mm</p>  <p>Viewable dimensions Opening <b>NFO-04</b> (W) 1234mm x (L) 1234mm</p>	<p>Finished External Kerb (W) 1500mm x (L) 1000mm</p>  <p>Viewable dimensions Opening <b>NFO-05</b> (W) 1234mm x (L) 734mm</p>	<p>Finished External Kerb (W) 2000mm x (L) 1000mm</p>  <p>Viewable dimensions Opening <b>NFO-06</b> (W) 1734mm x (L) 734mm</p>

## neo<sup>®</sup> Advance Fixed Shut Option

<p>Finished External Kerb (W) 1000mm x (L) 1000mm</p>  <p>Viewable dimensions Fixed shut <b>NFF-01</b> (W) 731mm x (L) 731mm</p>	<p>Finished External Kerb (W) 1200mm x (L) 1000mm</p>  <p>Viewable dimensions Fixed shut <b>NFF-02</b> (W) 931mm x (L) 731mm</p>	<p>Finished External Kerb (W) 1200mm x (L) 1200mm</p>  <p>Viewable dimensions Fixed shut <b>NFF-03</b> (W) 931mm x (L) 931mm</p>	
<p>Finished External Kerb (W) 1500mm x (L) 1500mm</p>  <p>Viewable dimensions Fixed shut <b>NFF-04</b> (W) 1231mm x (L) 1231mm</p>	<p>Finished External Kerb (W) 1500mm x (L) 1000mm</p>  <p>Viewable dimensions Fixed shut <b>NFF-05</b> (W) 1231mm x (L) 731mm</p>	<p>Finished External Kerb (W) 2000mm x (L) 1000mm</p>  <p>Viewable dimensions Fixed shut <b>NFF-06</b> (W) 1731mm x (L) 731mm</p>	<p>Finished External Kerb (W) 3000mm x (L) 1000mm</p>  <p>Viewable dimensions Fixed shut <b>NFF-07</b> (W) 2731mm x (L) 731mm</p>



Suitable for Flat Roofs

# Bespoke Design Service

Homeowners appreciate our Bespoke Rooflights because:

- ✦ We work with your architect and builder to achieve the wow factor for your home
- ✦ We offer a fast made to measure service for stretched, non-standard sizes

## Contemporary Projects

- ✦ Our designers have the technical expertise to create the wow factor for your project

## Historic Projects

- ✦ As inventors of the original Conservation Rooflight® our experience with historic buildings is second to none
- ✦ We have worked with many architects on Landmark buildings such as Somerset House, the Natural History Museum and Kensington Palace

**For more technical information visit**  
**[www.therooflightcompany.co.uk/bespoke](http://www.therooflightcompany.co.uk/bespoke)**  
or call **01993 833155**



# Studio Range



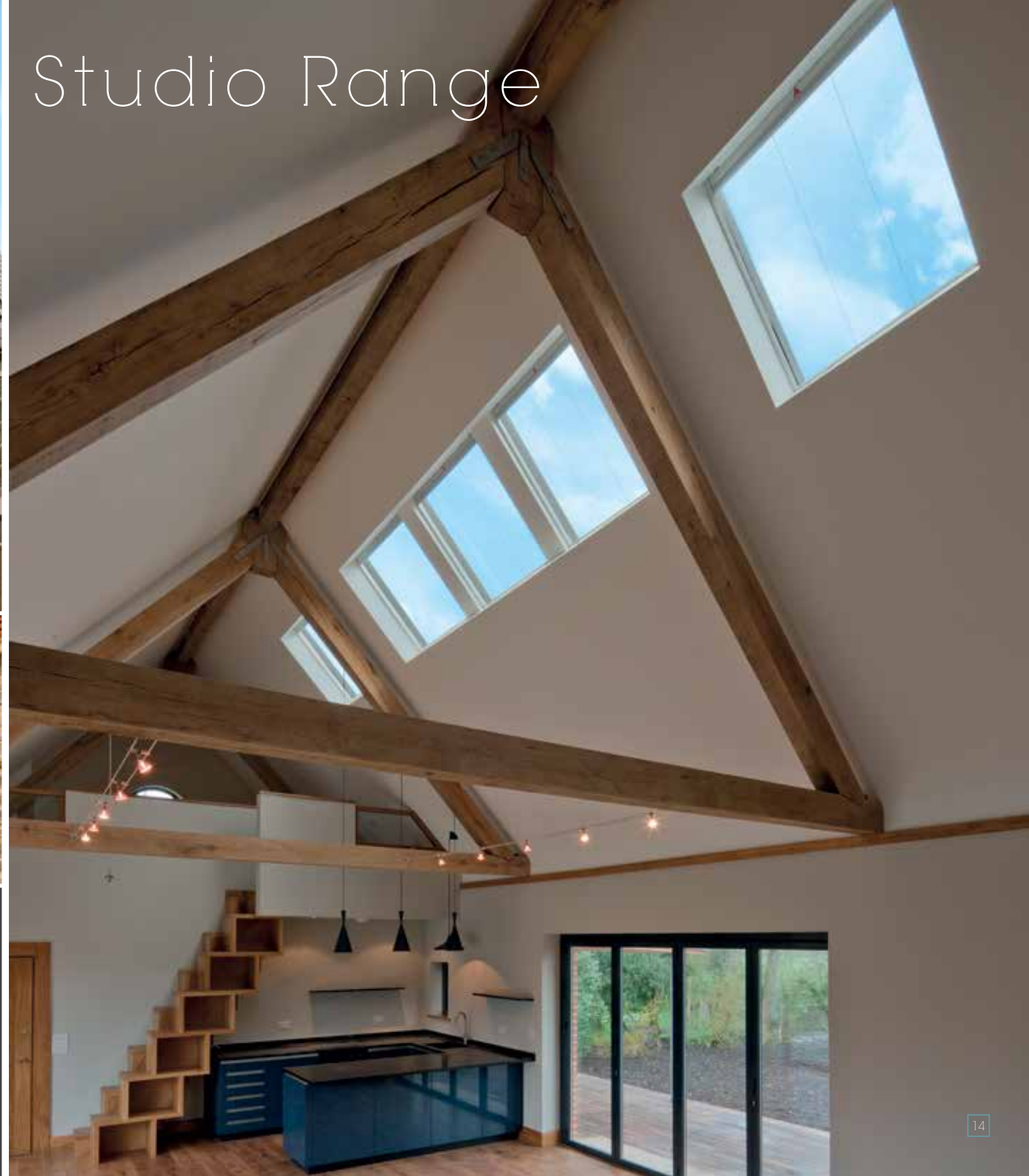
Homeowners appreciate our Studio Rooflights because:

**With all the qualities and advantages offered by the Conservation Rooflight® and neo®, the Studio Range is designed for projects requiring a run of finely detailed, low-profile roof windows.**

- Almost unlimited runs of roof windows which provide maximum light and ventilation to the space below
  - Designed with sleek, clean lines and with a moisture-resistant internal lining to blend with the internal décor
  - Three linking options provides a range of pricing to suit every budget
  - Flexible opening options (manual or electric) offer adjustable ventilation and a range of elegant blinds to match your interior
  - Glazing options include self-cleaning, privacy and solar-control
  - Frame colour-match to any RAL or BS paint colour
  - Any shape, size or colour from our in-house design studio
- Patented Thermoliner® technology ensures condensation control

**To learn more about our Studio range, visit:**  
**[www.therooflightcompany.co.uk/all-products/studio](http://www.therooflightcompany.co.uk/all-products/studio)**  
or call **01993 833155**

# Studio Range



Suitable for roof pitches up to 65°

## The Dell

Mottisfont Abbey is a National Trust owned site in Hampshire with over 250,000 visitors per annum. Burd Haward Architects were appointed to the scheme in 2010 after winning an invited design competition

"We chose to specify neo® as there is a good balance between the technical and aesthetic requirements. The appearance externally is low in profile and can be readily designed into the roof detail to be flush with the finish, creating a coherent overall roof plane. The interior detail of the neo® has also been very well considered and we really like the way that the reveals can be seamlessly finished to create a lightwell effect without any exposed frames or unsightly architraves."

**Ben Elliott, Elliott Architects**



## Vokins Barn

Architect, Ed Clare specified five CR-13 and two CR-8 Conservation Rooflights® for the conversion of this oak-framed barn which dates back to the 17th century. Commenting on the project Ed stated:

"The local planners are quite strict and insist on traditional rooflights on sensitive projects such as this one. I find Conservation Rooflights® ideal for this purpose because they are a faithful reproduction of Victorian models in both size and appearance. Planners often like an arrangement of several different sizes of the same style of rooflight; the Conservation Rooflights® facilitate this because there are 22 sizes to choose from."

**Ed Clare, Architect**

## Artemis Barn

Three Studio Designer Conservation Rooflights, two measuring 2475mm x 1028mm and one measuring 1368mm x 1028mm were specified for the scheme. Alongside these rooflights, CE+CA Studio also specified three CR9 rooflights measuring 717mm x 1028mm.

"The Conservation Rooflight® is a great looking product that performs well in the context of the barn. We have enjoyed being able to specify this rooflight however the neo® rooflight is a product that we love and will always go back to."

**Howard Evans of CE+CA Studio**





## West Buckland Farm Buildings

BBH Chartered Architects were approached by their client to transform unusable barns at West Buckland Farm into a stunning family home. Alongside the client's new main residence BBH Architects were also given the brief to convert one of the barns into a separate annex for visiting family and holiday lettings.

"We chose the Rooflight Company due to the appearance of the rooflights being minimal which complemented the other styling within the barn and created a fantastic juxtaposition between the old elements of the barn – the stonework and the trusses and the new. Once the planners understood what we were trying to create and images were supplied to them of previous Rooflight Company projects, they were happy to agree to their use on this sensitive site."

Burd Haward Architects **Paul Myers**, Director, BBH Chartered Architects



## Summer House

The Rooflight Company talked the architect through the choice of linking options available and the Studio Designer option was chosen as the distance between each casement was a fundamental objective of the brief. Another key benefit of selecting neo® roof windows was the uncluttered internal finish, due to the concealed actuation and blind motors.

Three neo® roof windows were linked together for this project with a single neo® either side. As they were positioned on the South facing elevation of the building, a high performance solar control glazing was specified to reduce the level of heat transferred into the building.

"The neo® is a fantastic rooflight; it complemented our project perfectly. I especially like the effect the linked neo® has on the amount of natural light that fills the property."

**Steven Myhill**, Acanthus Clews Architects

## Cotswold Residential Property

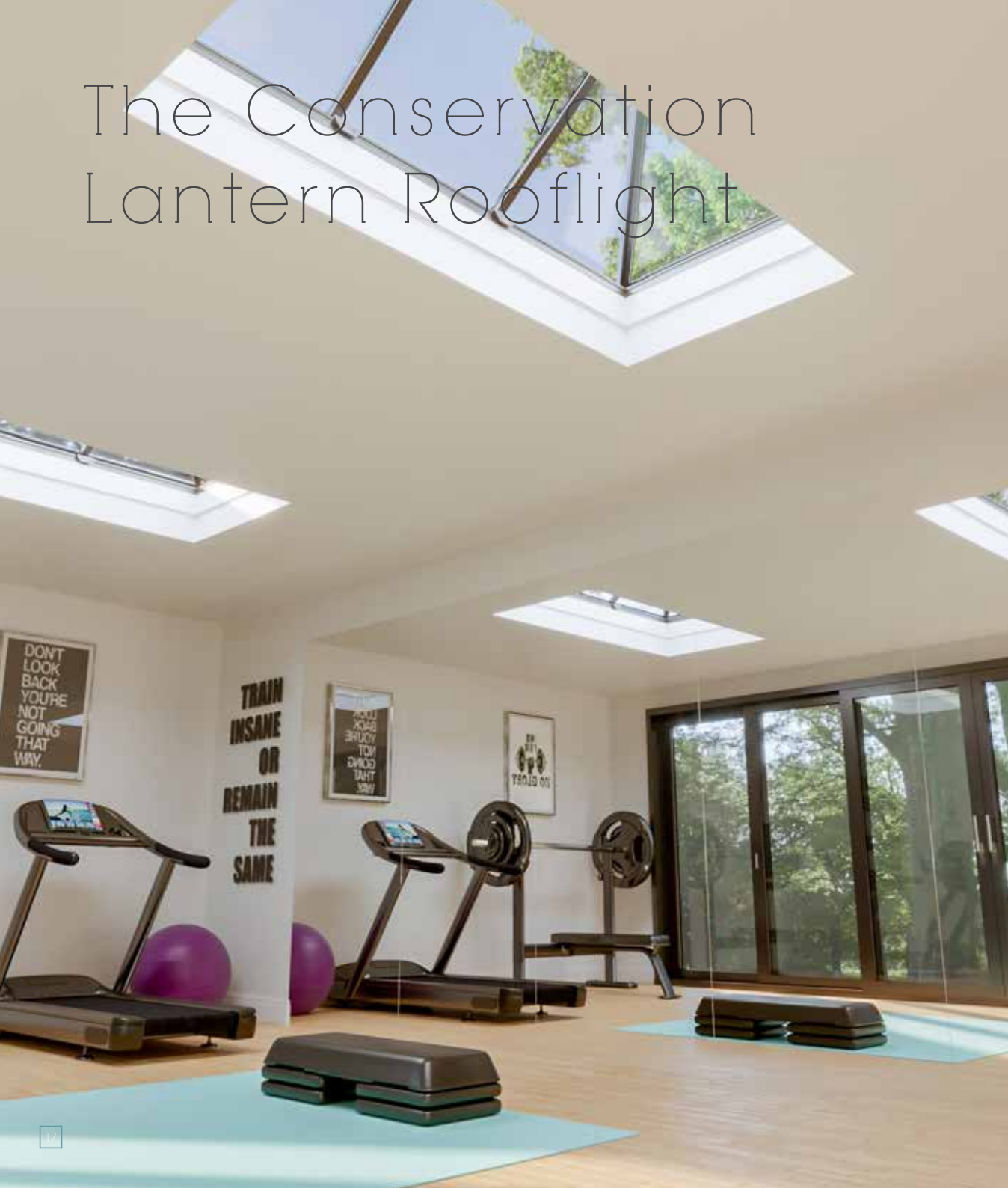
The brief for this new-build project in the Cotswolds involved the design and build of a contemporary four bedroom family home. The client required an exemplar home in terms of sustainability whilst being sensitive to the style of the surrounding Cotswold village.

"The neo® rooflights are a great success. They worked particularly well within the palette of materials used including zinc cladding for the curved details and an almost metallic looking dark blue/purple roof tile."

**Michael Marshall** – Adrian James Architects.



# The Conservation Lantern Rooflight



Homeowners appreciate The Conservation Lantern Rooflights because:

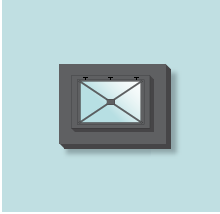
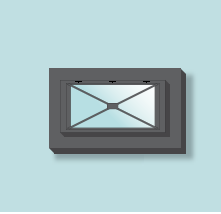
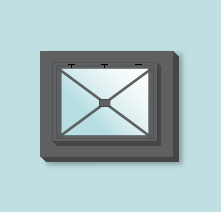

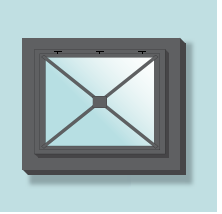
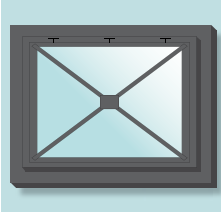
**Equally suited to contemporary or Victorian architecture, the Lantern Rooflight is a versatile way to enhance many different types of building.**

- ✎ Flexible opening options (manual or electric) offer adjustable ventilation
- ✎ Six standard sizes available
- ✎ Glazing options include self-cleaning, privacy and solar-control
- ✎ Frame colour-match to any RAL or BS paint colour
- ✎ Any shape, size or colour from our in-house design studio
- ✎ Designed and assembled in the UK







**For more technical information visit [www.therooflightcompany.co.uk/all-products/lantern](http://www.therooflightcompany.co.uk/all-products/lantern) or call 01993 833155**



# The Conservation Lantern Rooflight Sizes

<p>Internal kerb dimensions (W) 900mm x (L) 600mm</p>  <p><b>LT01</b></p>	<p>Internal kerb dimensions (W) 1200mm x (L) 600mm</p>  <p><b>LT02</b></p>	<p>Internal kerb dimensions (W) 1200mm x (L) 900mm</p>  <p><b>LT03</b></p>	<p>Internal kerb dimensions (W) 1500mm x (L) 900mm</p>  <p><b>LT04</b></p>	<p>Internal kerb dimensions (W) 1500mm x (L) 1200mm</p>  <p><b>LT05</b></p>	<p>Internal kerb dimensions (W) 2000mm x (L) 1500mm</p>  <p><b>LT06</b></p>
---	---	---	--	--	--

## Accessories

<p><b>OPTK</b> 150mm Brass Pole Winder</p>  <p><b>OPTD</b> 300mm Brass Telescopic Pole Winder (Shown)</p>	<p><b>OPTA</b> 150mm Brass Hand Winder</p>  <p><b>OPTE</b> 300mm Brass Telescopic Hand Winder (Shown)</p>	<p><b>OPTL</b> 150mm Chrome Pole Winder</p>  <p><b>OPTC</b> 300mm Chrome Telescopic Pole Winder (Shown)</p>
 <p><b>HE004-A</b> Switch</p>	 <p><b>OPT A</b> Supermaster</p>	<p><b>OPTJ</b> 150mm Chrome Hand Winder</p>  <p><b>OPTB</b> 300mm Chrome Telescopic hand winder (Shown)</p>
 <p><b>OPT B</b> Mac Motor</p>		



Please note this is a bespoke lantern



Suitable for Flat Roofs

# The Conservation Pyramid Rooflight



Homeowners appreciate  
The Conservation Pyramid  
Rooflights because:

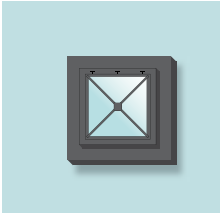
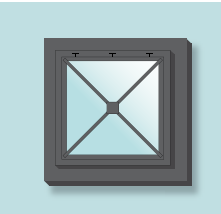
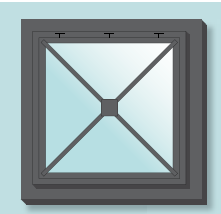
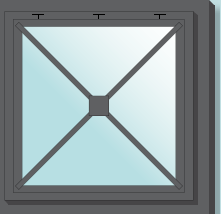
**Equally suited to contemporary or Victorian architecture, the Pyramid Rooflight is a versatile way to enhance many different types of building.**

- ✎ Flexible opening options (manual or electric) offer adjustable ventilation
- ✎ Four standard sizes available
- ✎ Glazing options include self-cleaning, privacy and solar-control
- ✎ Frame colour-match to any RAL or BS paint colour
- ✎ Any shape, size or colour from our in-house design studio
- ✎ Designed and assembled in the UK



**For more technical information visit  
[www.therooflightcompany.co.uk/all-products/pyramid](http://www.therooflightcompany.co.uk/all-products/pyramid)  
or call **01993 833155****



# The Conservation Pyramid Rooflight Sizes

<p>Internal kerb dimensions (W) 600mm x (L) 600mm</p>  <p><b>PY01</b></p>	<p>Internal kerb dimensions (W) 900mm x (L) 900mm</p>  <p><b>PY02</b></p>	<p>Internal kerb dimensions (W) 1200mm x (L) 1200mm</p>  <p><b>PY03</b></p>	<p>Internal kerb dimensions (W) 1500mm x (L) 1500mm</p>  <p><b>PY04</b></p>
---	--	--	---

## Accessories

<p><b>OPTK</b> 150mm Brass Pole Winder</p>  <p><b>OPTD</b> 300mm Brass Telescopic Pole Winder (Shown)</p>	<p><b>OPTA</b> 150mm Brass Hand Winder</p>  <p><b>OPTE</b> 300mm Brass Telescopic Hand Winder (Shown)</p>	<p><b>OPTL</b> 150mm Chrome Pole Winder</p>  <p><b>OPTC</b> 300mm Chrome Telescopic Pole Winder (Shown)</p>
 <p><b>HE004-A</b> Switch</p>	 <p><b>OPT A</b> Supermaster</p>	<p><b>OPTJ</b> 150mm Chrome Hand Winder</p>  <p><b>OPTB</b> 300mm Chrome Telescopic hand winder (Shown)</p>
 <p><b>OPT B</b> Mac Motor</p>		



Suitable for Flat Roofs

# Secured by Design Rooflights



Homeowners appreciate our Secured by Design Rooflights because:

- The widest range of Secured by Design accredited rooflights
- Tried and tested to give you peace of mind that Part Q security building regulations are met
- Available in The Conservation Plateau and neo® Plateau
- Our Secured by Design Rooflights provide complete peace of mind for your residential property

**For more technical information visit**

**[www.therooflightcompany.co.uk/bespoke/securedbydesign/](http://www.therooflightcompany.co.uk/bespoke/securedbydesign/)**  
or call **01993 833155**



# Secured by Design Rooflights - Part Q

## Which level of security is right for me?

If you require a rooflight that has been security tested, there are a number of factors you should consider before deciding which level of security is right for your project. This includes location of the property, value of the property, where the rooflight is located, the value of goods within the property and if the property has additional security features such as CCTV.

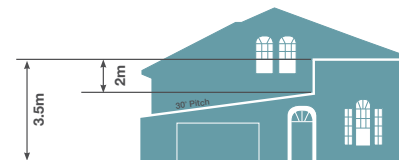
The table below will help you understand the testing requirements for each certification however, please call us if you would like to discuss your needs.

Application		Minimum Performance Required	The Rooflight Company	Notes
<b>HIGH RISK</b> LPS 1175 SR5 Testing is generally applicable to very high security doorsets.		LPS 1175 SR6 LPS 1175 SR5		Doorsets tested to LPS 1175 SR5 and SR6 have been designed to resist a professional attack using powerful mains operated tools for up to 30 minutes.
<b>MEDIUM RISK</b> A medium risk building requires a minimum security certification of LPS 1175 SR3 for doors, shutters and windows (including easily accessible rooflights).		LPS 1175 SR4		Rooflights tested to a medium risk certification have been designed to resist a professional attack using a variety of battery operated tools. The duration of attack varies for each level of testing as shown below.
		LPS 1175 SR3	The Conservation Plateau Secured by Design Rooflight	Tested to withstand an attack up to 20 minutes
<b>LOW RISK</b> A low risk building requires a minimum security certification of LPS 1175 SR1 or BS. PAS 24 for doors, security grilles, shutters and windows (including easily accessible rooflights).		LPS 1175 SR2	The Conservation Plateau Secured by Design Rooflight	Rooflights tested to a low risk certification have been designed to resist a professional attack using a variety of hand tools such as hammers, crowbars, chisels and hacksaws. All low risk certifications are deemed acceptable for Part Q building regulations however the duration of attack varies for each level of testing as shown below.
		LPS 1175 SR1 LPS 2081 Level B LPS 2081 Level A	The neo™ Plateau Secured by Design The neo™ Plateau Secured by Design The neo™ Plateau Secured by Design	Tested to withstand an attack up to 15 minutes Tested to withstand an attack up to 10 minutes Tested to withstand an attack up to 3 minutes Tested to withstand an attack up to 1 minute

## Why would I need a security rooflight?

Within the Part Q Building Regulation document, it defines easily accessible as:

- A window within 2m vertically of a flat or sloping roof (with a pitch of less than 30 degrees) that is within 3.5m of ground level.
- A window or doorway, any part of which is within 2m vertically of an accessible level surface such as ground or basement level, or an access balcony.



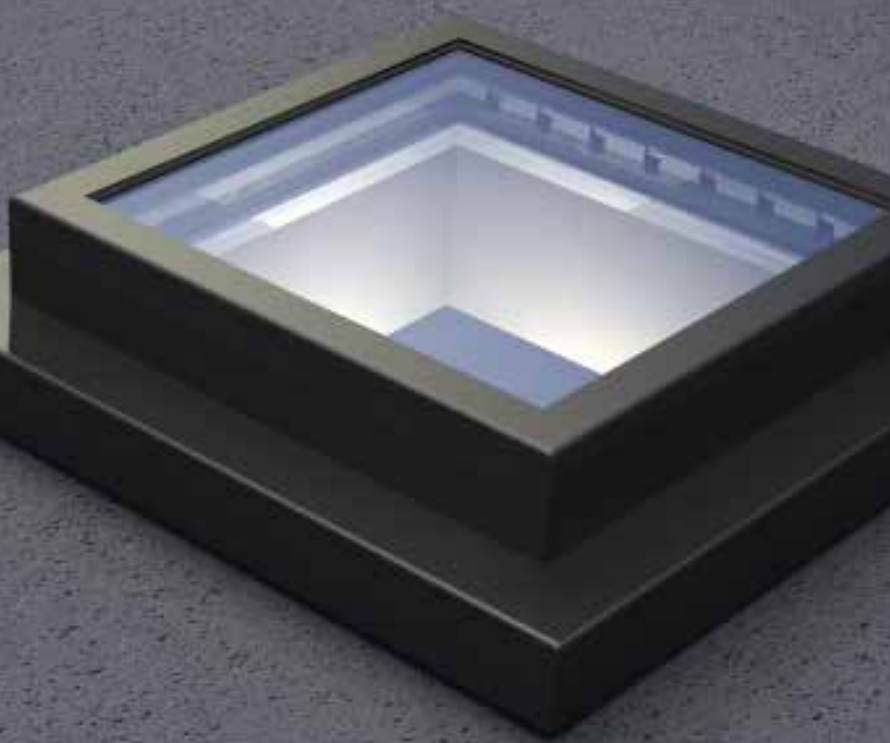
If you have a rooflight deemed as easily accessible for an intruder to get into the building from the outside, you will need to ensure that it is proven to resist criminal attack or incorporate features that are proven to reduce crime.

# The Conservation Plateau

## Secured by Design

### Rooflight Sizes

#### LPS 1175 SR1 + SR3



Secured by Design Rooflights are available with obscure glazing, intruder bars and a wide range of security features. All enquiries will need to be discussed with our Bespoke Design Team to ensure the correct level of security is applied to your project.

The Rooflight Company's Secured by Design Rooflights are accredited to Loss Prevention Standard 1175 issue 7 (categories SR2 and SR3).



Internal Structural Dimension  
(W) 690mm x (L) 690mm



**SBD 01**  
Mild Steel

Internal Structural Dimension  
(W) 690mm x (L) 690mm



**SBD 02** Mild Steel with  
Hot Zinc Pre-Treatment

Internal Structural Dimension  
(W) 690mm x (L) 690mm



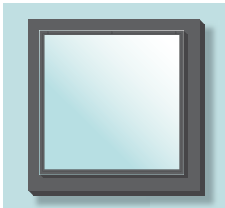
**SBD 03**  
Stainless Steel 304

Internal Structural Dimension  
(W) 690mm x (L) 690mm



**SBD 04**  
Stainless Steel 316

Internal Structural Dimension  
(W) 1115mm x (L) 1115mm



**SBD 05**  
Mild Steel

Internal Structural Dimension  
(W) 1115mm x (L) 1115mm




**SBD 06** Mild Steel with  
Hot Zinc Pre-Treatment

Internal Structural Dimension  
(W) 1115mm x (L) 1115mm

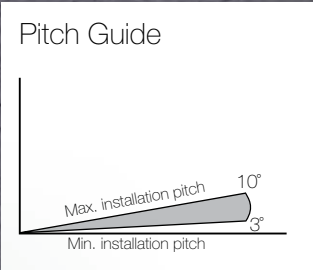


**SBD 07**  
Stainless Steel 304

Internal Structural Dimension  
(W) 1115mm x (L) 1115mm



**SBD 08**  
Stainless Steel 316

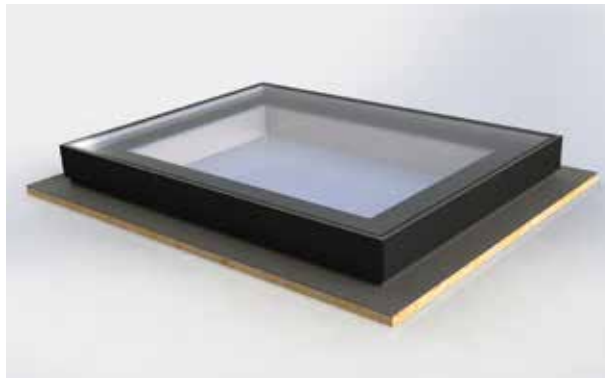


Please note sizes are based on Besoke sizes only.

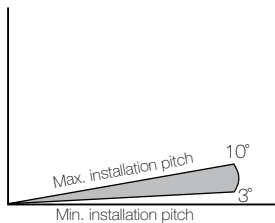


# The neo Plateau Rooflight Sizes

LPS2081 A+B  
LPS1175 - SR1



## Pitch Guide



Finished External Kerb  
(W) 750mm x (L) 750mm

Viewable dimensions  
(W) 500mm x (L) 500mm  
**NP01 - LPS2081**  
**NP01 - LPS1175**

Finished External Kerb  
(W) 1000mm x (L) 1000mm

Viewable dimensions  
(W) 750mm x (L) 750mm  
**NP02 - LPS2081**  
**NP02 - LPS1175**

Finished External Kerb  
(W) 1200mm x (L) 900mm

Viewable dimensions  
(W) 950mm x (L) 650mm  
**NP03 - LPS2081**  
**NP03 - LPS1175**

Finished External Kerb  
(W) 1200mm x (L) 1200mm

Viewable dimensions  
(W) 950mm x (L) 950mm  
**NP04 - LPS2081**  
**NP04 - LPS1175**

Finished External Kerb  
(W) 1500mm x (L) 1500mm

Viewable dimensions  
(W) 1250mm x (L) 1250mm  
**NP05 - LPS2081**  
**NP05 - LPS1175**

Finished External Kerb  
(W) 1500mm x (L) 1000mm

Viewable dimensions  
(W) 1250mm x (L) 750mm  
**NP06 - LPS2081**  
**NP06 - LPS1175**

Finished External Kerb  
(W) 2000mm x (L) 1000mm

Viewable dimensions  
(W) 1750mm x (L) 750mm  
**NP07 - LPS2081**  
**NP07 - LPS1175**

Sections for viewable and structural dimensions can be found on our website.

# Added Security



Homeowners appreciate our Added Security Rooflights because:

**For when security is paramount, the Added Security and Secured by Design Rooflights upgrade to provide complete peace of mind for your residential property.**


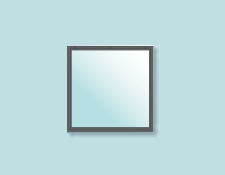






- ✦ Flexible menu of Added Security options to meet the specific need of your project combining aesthetics and security
- ✦ Added Security upgrades available on all Plateau Rooflight sizes
- ✦ Glazing options include privacy, solar control and obscure
- ✦ Colour-match your frame to any RAL or BS paint colour
- ✦ Any shape or size from our in-house design studio
- ✦ Designed and assembled in the UK

**For more technical information visit**

**[www.therooflightcompany.co.uk/bespoke/addedsecurity/](http://www.therooflightcompany.co.uk/bespoke/addedsecurity/)**  
or call **01993 833155**



# The Added Security Rooflight Sizes

<p>Internal Structural Dimension (W) 690mm x (L) 690mm</p>  <p><b>SBD 01</b> Mild Steel</p>	<p>Internal Structural Dimension (W) 690mm x (L) 690mm</p>  <p><b>SBD 02</b> Mild Steel with Hot Zinc Pre-Treatment</p>	<p>Internal Structural Dimension (W) 690mm x (L) 690mm</p>  <p><b>SBD 03</b> Stainless Steel 304</p>	<p>Internal Structural Dimension (W) 690mm x (L) 690mm</p>  <p><b>SBD 04</b> Stainless Steel 316</p>	<p>Internal Structural Dimension (W) 1115mm x (L) 1115mm</p>  <p><b>SBD 05</b> Mild Steel</p>	<p>Internal Structural Dimension (W) 1115mm x (L) 1115mm</p>  <p><b>SBD 06</b> Mild Steel with Hot Zinc Pre-Treatment</p>
<p>Internal Structural Dimension (W) 1115mm x (L) 1115mm</p>  <p><b>SBD 07</b> Stainless Steel 304</p>	<p>Internal Structural Dimension (W) 1115mm x (L) 1115mm</p>  <p><b>SBD 08</b> Stainless Steel 316</p>	<p>The Added Security Rooflights are available with a flexible choice of upgrades to suit your project. All security requirements should be discussed with our Bespoke Design Team.</p> <p>Please note sizes are based on Besoke sizes only.</p>			



Suitable for Flat Roofs

# Blinds

Available as both roller and pleated styles, offering an attractive and practical solution to light control, all blinds incorporate easy manual operation with motorised upgrades available in the pleated blind ranges. Blinds are available for the Conservation Rooflight® and neo®.

## Roller Blinds



## Pleated Blinds



## Colour Options

We have over eighty different colour options available for our roller and pleated blinds. More information can be found on our website, within the product pages. Material swatches can also be sent to you via post. Call 01993 833155 to speak to an advisor.

You can also buy blinds via our online shop. Visit [www.therooflightcompany.co.uk/all-products/blinds-and-ironmongery](http://www.therooflightcompany.co.uk/all-products/blinds-and-ironmongery)

## Additional Resources

### A Professional's Guide



### Client Presentations



Plateau  
Rooflights



Bespoke Design  
Service



The Conservation  
Rooflight®



neo®

Contact [tomarketing@therooflightcompany.co.uk](mailto:tomarketing@therooflightcompany.co.uk) to request copies

## The Rooflight Company

Wychwood Business Centre,

Milton Road,

Shipton-under-Wychwood,

Oxfordshire OX7 6XU

Tel: 01993 833155

email: [info@therooflightcompany.co.uk](mailto:info@therooflightcompany.co.uk)

[www.therooflightcompany.co.uk](http://www.therooflightcompany.co.uk)



Scan the QR code to leave us a review



Assessed to ISO 9001:2015  
LPCB Ref: 929



bsi.  
The Rooflight Company  
Shipton-under-Wychwood  
Insulating Glass Units

No: RM93754  
BS EN 1279-2: 2002  
BS EN 1279-3: 2002

the  
Rooflight  
Company

### Disclaimer

Images and diagrams used in this Rooflight brochure are used for illustrative purposes only. Due to occasional changes in product specification and material prices always check with the Rooflight Company Customer Services Department on **01993 833155** or online at [www.therooflightcompany.co.uk](http://www.therooflightcompany.co.uk) for the exact specification, appearance and current prices prior to placing your order.