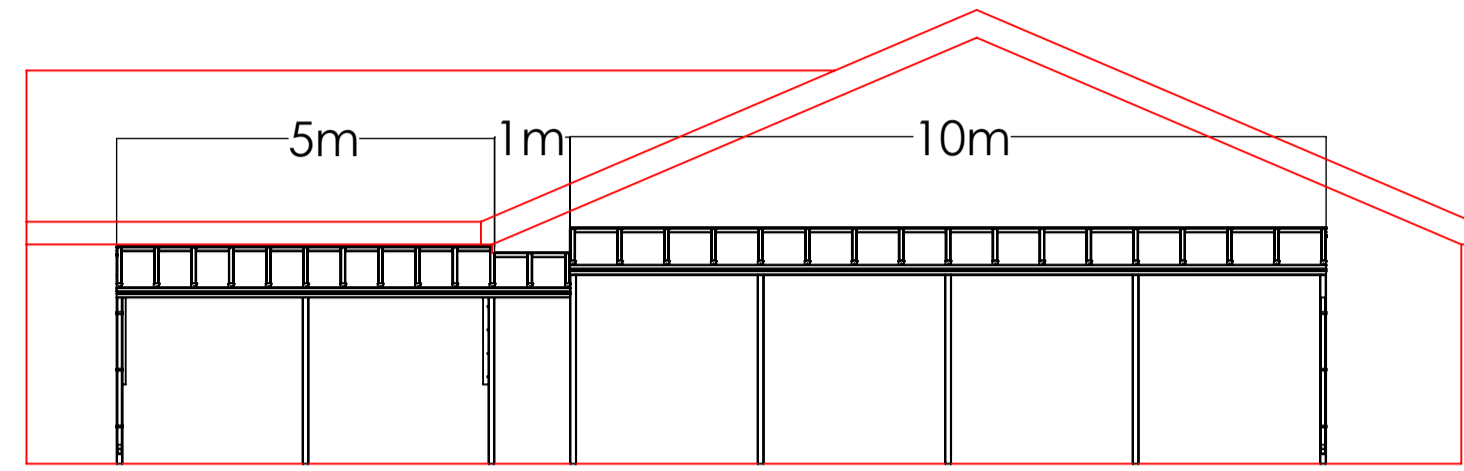
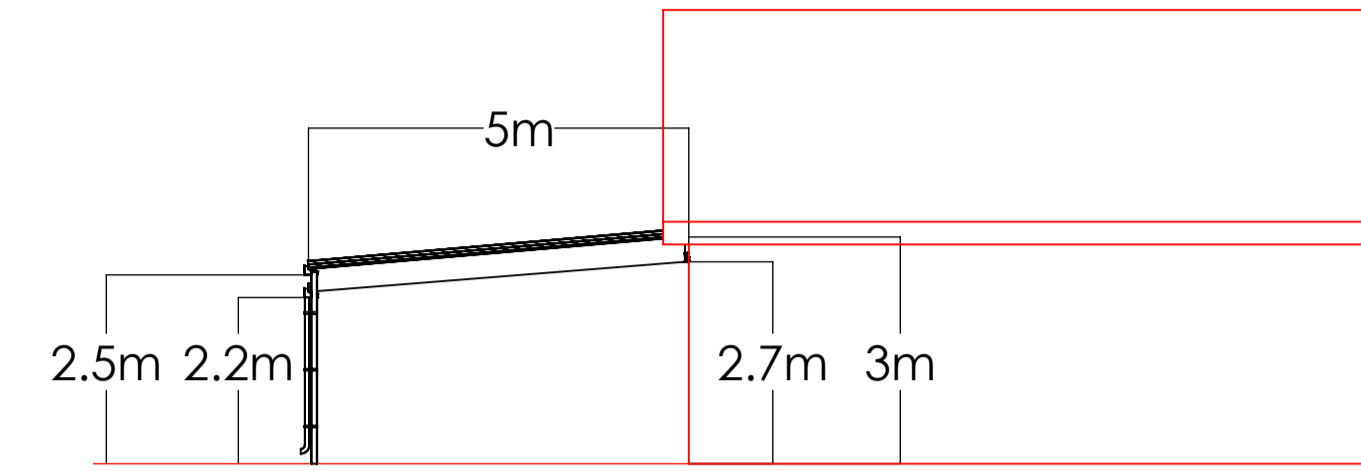


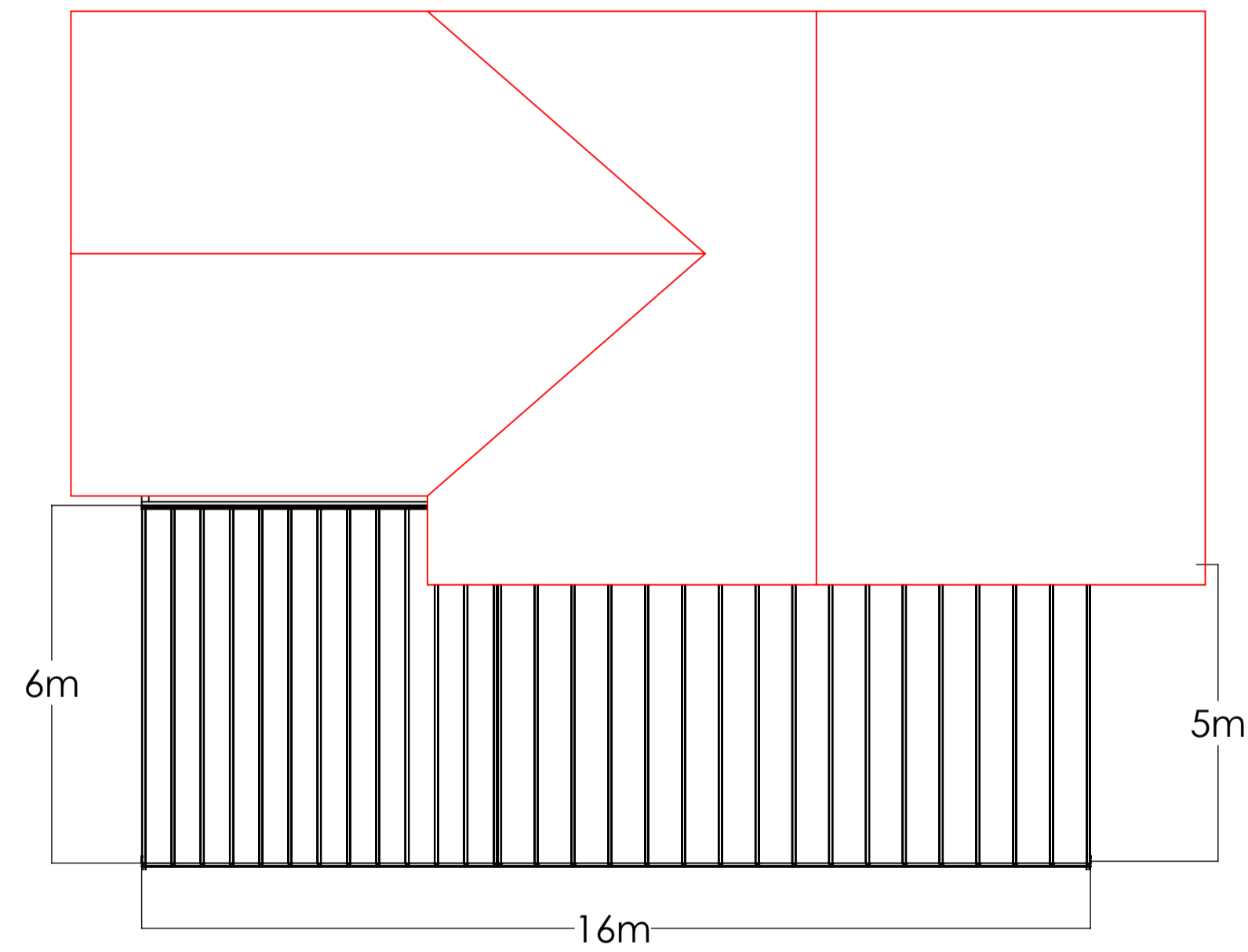
Proposed Drawings



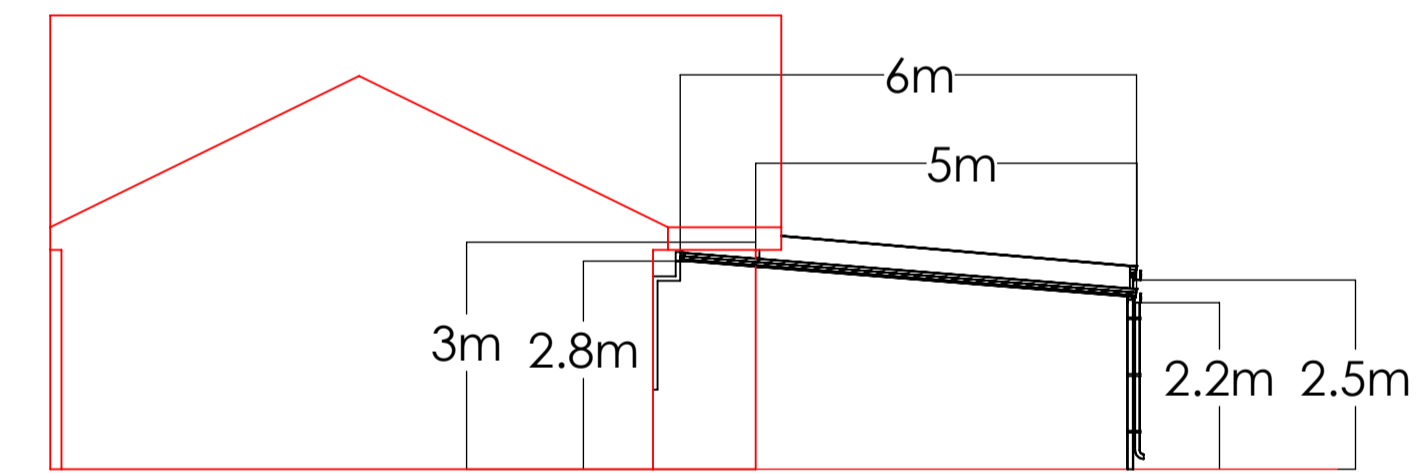
Front Elevation



End Elevation Right



Plan Elevation



End Elevation Left