

Proposed Antenna Aperture Schedule & RF Equipment Capacity

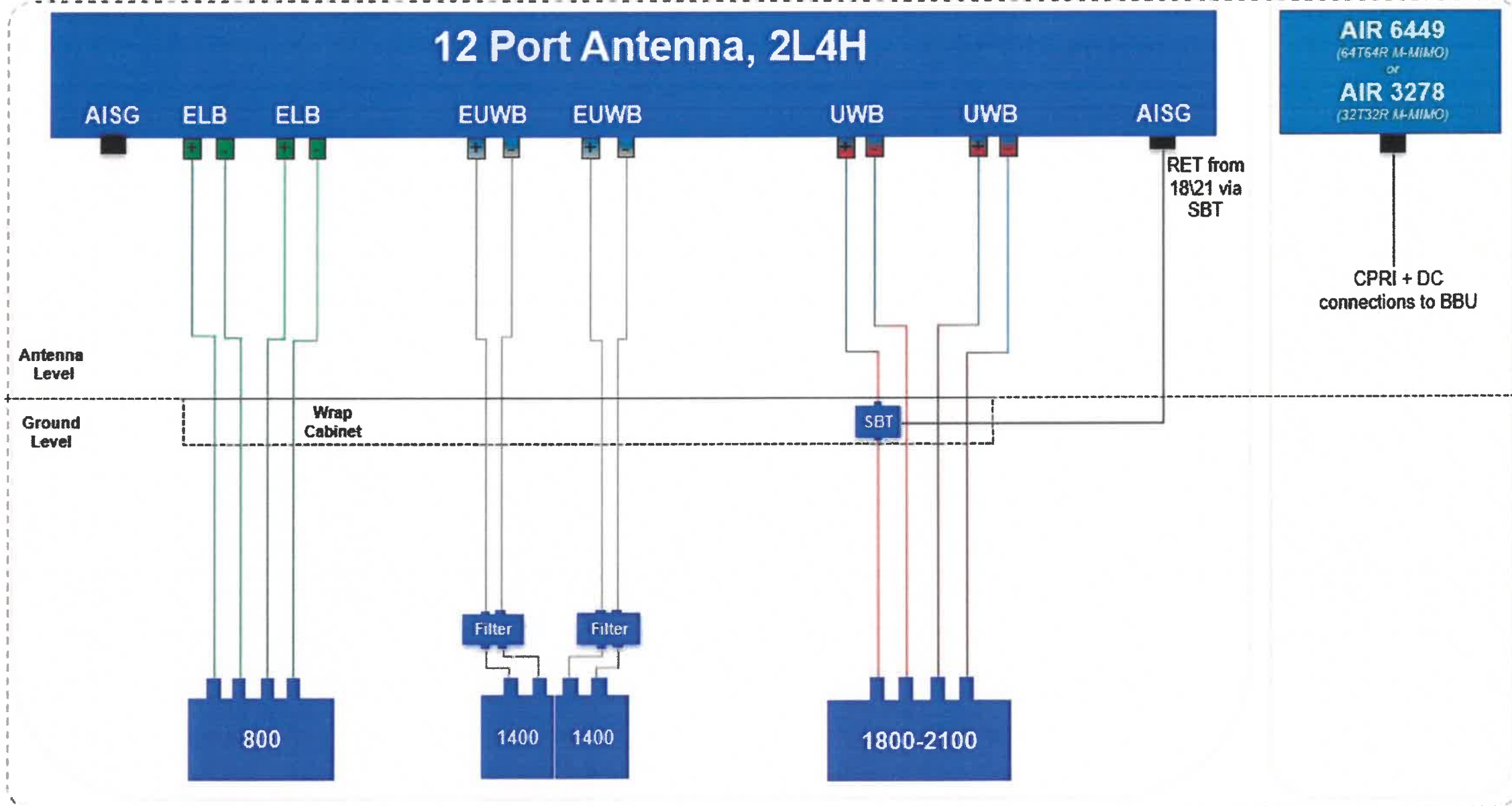
Antenna Aperture ID	Antenna Aperture Size (Length x Width x Depth)	Aperture Height C/L	Aperture Max Weight (kg)	Proposed 4G/5G Bearing	Tech: 4G/5G	Operator:	Antenna Aperture Coordinates		RRU No. Max Size & Weight L=500mm W=400mm D=150mm Weight=25kg	MHA No. Max Size & Weight L=300mm W=300mm D=150mm Weight=10kg	Main Feeder			BOB Max Size & Weight (300x300x250mm & 5kg)		Active Router No. Max Size & Weight (370x260x150mm & 10kg)	Passive Router No. Max Size & Weight (350x220x150mm & 10kg)
							Eastings	Northings			Size	Length	No.	No. Top	No. Bottom		
A1	778x403x268mm	17.60m	43.4kg	20°	5G	-	-	-	0	0	TBC	TBC	4	1	1	1	1
A2	1499x498x197mm	15.70m	31.8kg	20°	4G	-	-	-	3	0	TBC	TBC	4	1	1	1	1
B1	778x403x268mm	17.60m	43.4kg	140°	5G	-	-	-	0	0	TBC	TBC	4	1	1	1	1
B2	1499x498x197mm	15.70m	31.8kg	140°	4G	-	-	-	3	0	TBC	TBC	4	1	1	1	1
C1	778x403x268mm	17.60m	43.4kg	260°	5G	-	-	-	0	0	TBC	TBC	4	1	1	1	1
C2	1499x498x197mm	15.70m	31.8kg	260°	4G	-	-	-	3	0	TBC	TBC	4	1	1	1	1

STATUS KEY:

**Installed:** Existing  
**Retain:** Existing and to remain  
**Relocate:** Existing and to be relocated  
**Remove:** Existing to be removed from site  
**Proposed:** New on site

4G++ Option

5G Option



Master	MBNL / EE	Project	Purpose of Issue	Issue
M001	MBNL	5G UNILATERAL	Planning	A
Date	05/07/2021	Revision / Upgrade Description		
Drawn	CDN	First Issue - Site nomination dated: TBC		
Checked	DH			
Approved	SD			

CK Hutchison Networks (UK) Limited

Great Brighams Mead,  
Vastern Road, Reading,  
Berkshire, England,  
RG1 8DJ

Design Consultant & Principal Contractor:



WHP Telecoms  
Unit 1 Maple Park,  
Low Fields Avenue, Leeds  
LS12 6HH

Tel: 01133023550  
e-mail: info@whptelecoms.com

Site Name: LYTHAM ROAD STREETWORKS

Site ID: FYD15019

Address: LYTHAM ROAD, BRYNING-WITH-WARTON, WARTON, FYLDE, LANCASHIRE, NORTH WEST ENGLAND, ENGLAND, PR4 1AS

Title: 303 PROPOSED ANTENNA SCHEDULE & LINE CONFIGURATION

Project: 5G UNILATERAL

Purpose of Issue: PLANNING

EE Cell ID:	MBNL Cell ID:	Cell ID:
N/A	N/A	N/A

Master Drawing No: FYD15019\_M001 Issue: A