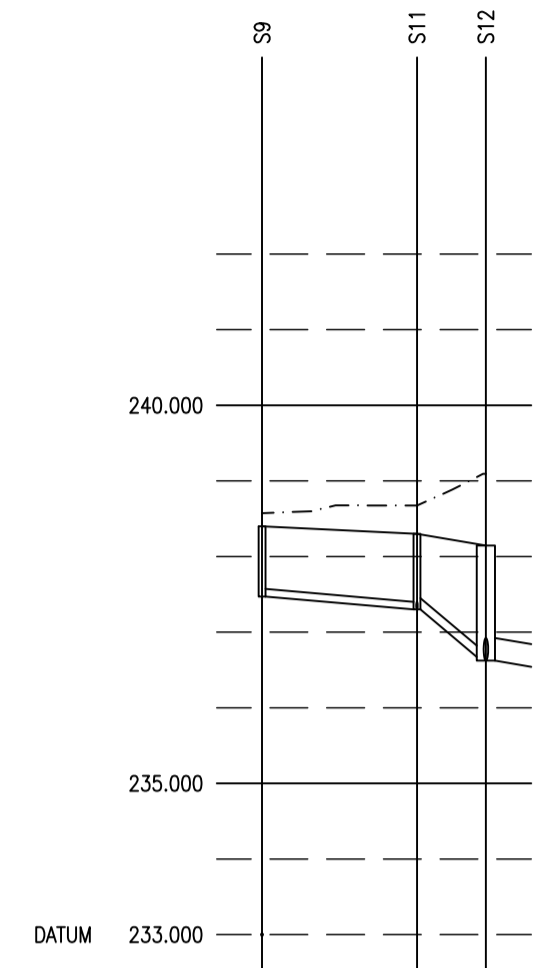
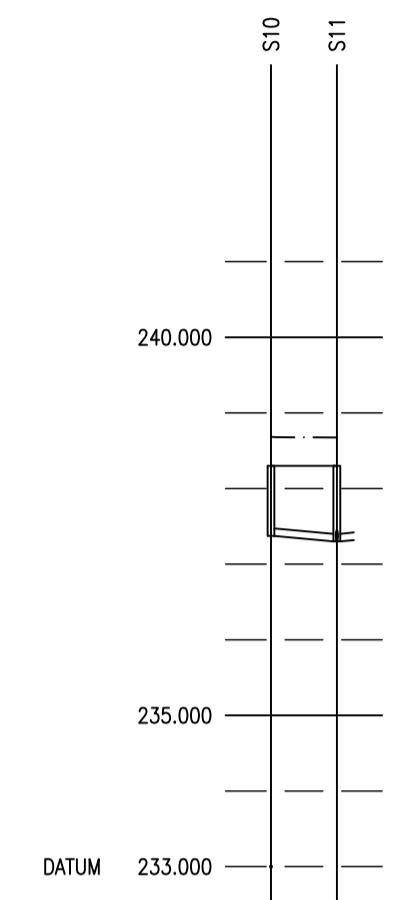


GROUND LEVEL	238.367	238.327	238.208
STORMWATER COVER LEVEL	238.400	238.350	238.073
STORMWATER INVERT	Pipe 4.000 Dia 150 Circular uPVC 1 in 60 13.186	237.114 Pipe 4.001 Dia 150 Circular uPVC 1 in 60 14.235	236.677



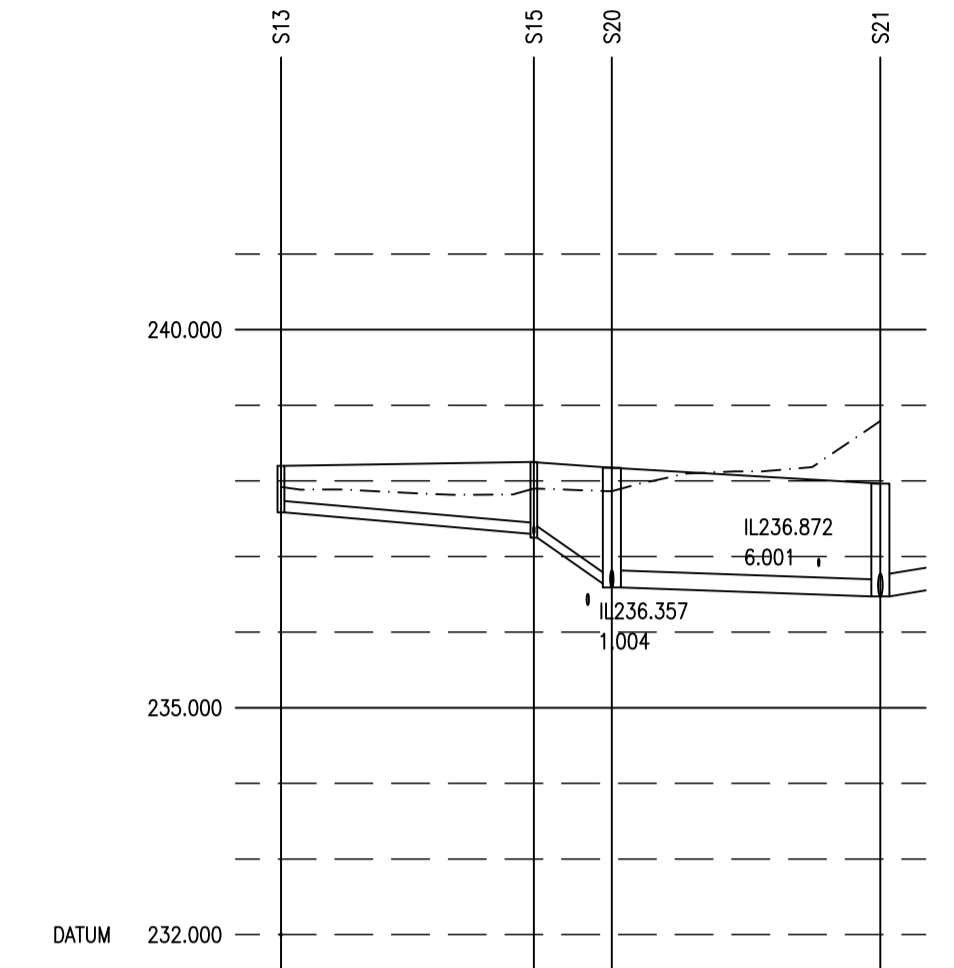
GROUND LEVEL	238.574	238.675
STORMWATER COVER LEVEL	238.400	238.300
STORMWATER INVERT	Pipe 5.000 Dia 100 Circular uPVC 1 in 60 10.248	237.300 Pipe 5.000 Dia 100 Circular uPVC 1 in 60 10.248

Pipe 5.001
Dia 150
Circular uPVC
1 in 7
4.556



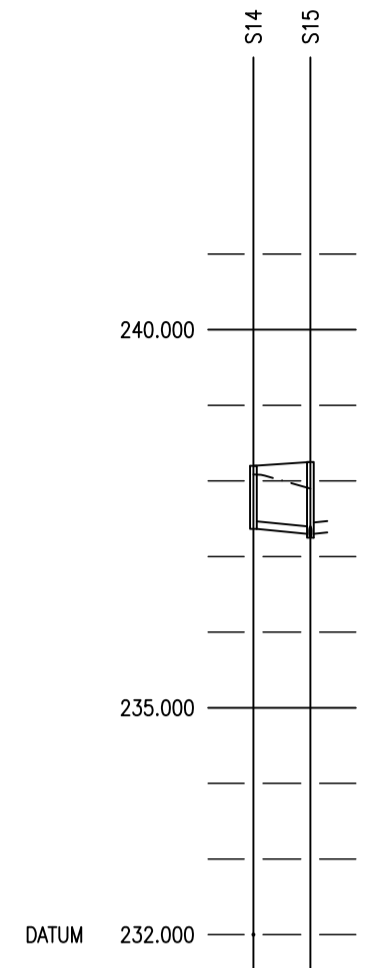
GROUND LEVEL	238.682
STORMWATER COVER LEVEL	238.300
STORMWATER INVERT	237.300

Pipe 6.000
Dia 100
Circular uPVC
1 in 60
4.358



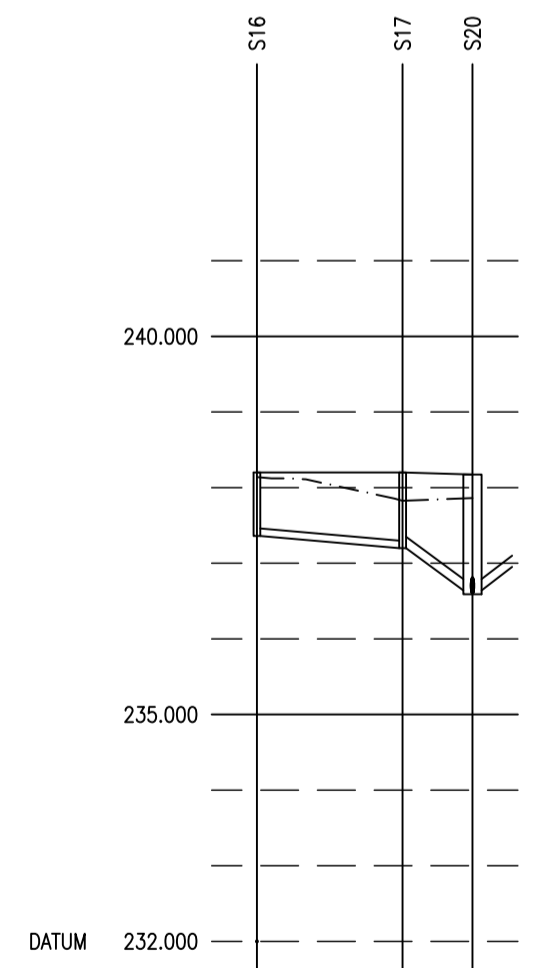
GROUND LEVEL	237.919	237.826	237.876	238.126
STORMWATER COVER LEVEL	238.200	238.250	238.174	237.964
STORMWATER INVERT	Pipe 7.000 Dia 150 Circular uPVC 1 in 59 16.727	237.250 Pipe 7.001 Dia 150 Circular uPVC 1 in 60 16.727	236.641 Pipe 7.001 Dia 150 Circular uPVC 1 in 60 16.727	236.591 Pipe 7.002 Dia 225 Circular uPVC 1 in 151 17.759

Pipe 7.001
Dia 150
Circular uPVC
1 in 60
5.158



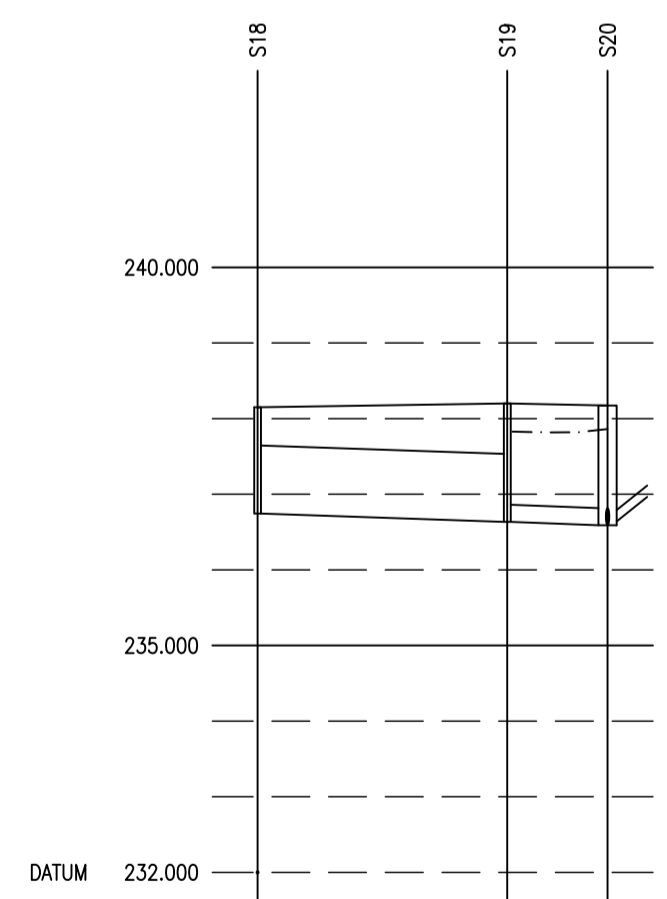
GROUND LEVEL	238.086
STORMWATER COVER LEVEL	238.200
STORMWATER INVERT	237.300

Pipe 8.000
Dia 100
Circular uPVC
1 in 57
3.767



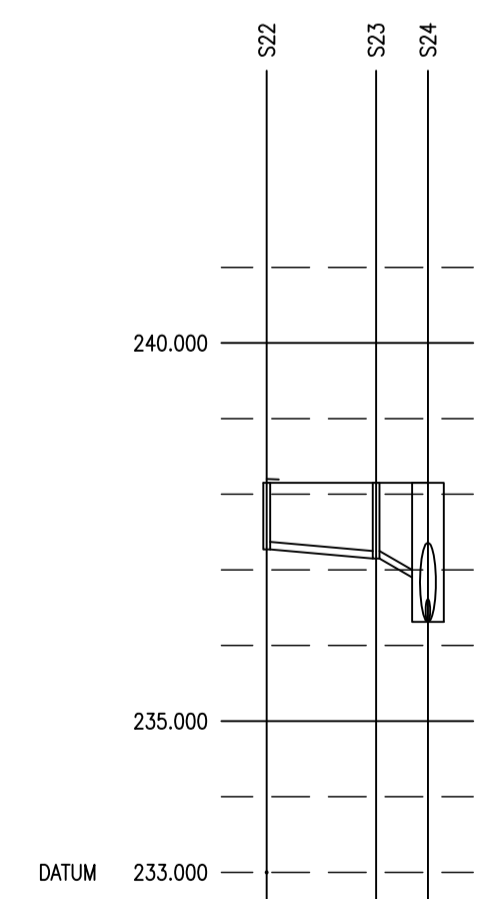
GROUND LEVEL	238.138	237.828
STORMWATER COVER LEVEL	238.200	238.174
STORMWATER INVERT	Pipe 9.000 Dia 100 Circular uPVC 1 in 60 9.631	237.641 Pipe 9.001 Dia 100 Circular uPVC 1 in 60 9.631

Pipe 9.001
Dia 150
Circular uPVC
1 in 8
4.623



GROUND LEVEL	237.819
STORMWATER COVER LEVEL	238.150
STORMWATER INVERT	Pipe 10.000 Dia 100 Closed Rect. 1 in 150 16.510

Pipe 10.001
Dia 225
Circular uPVC
1 in 151
6.635



GROUND LEVEL	238.203
STORMWATER COVER LEVEL	238.150
STORMWATER INVERT	237.270

Pipe 11.000
Dia 100
Circular uPVC
1 in 60
7.236

Pipe 11.001
Dia 100
Circular uPVC
1 in 14
3.427

Rev	Drawn	Checked	Passed	Date
-	-	-	-	-

Client: **Butler Wall Homes**

Project: **Llanddewi Hall, Llandrindod Wells**

Title: **Drainage Sections Surface Sheet 2**

Drawn: HG | Checked: NG | Approved: NG | Date: Dec '20 | Scales @ A1: 1:500 1:100 | Project Ref: 3207 | Drawing No: 213 | Rev: -

blackburn griffiths Ltd
Consulting Civil & Structural Engineers
Unit 3, Evans Business Centre, Western Ind. Est.
Coerphilly, CF83 1BE
T: 02920 807 586 E: info@blackburngriffiths.co.uk