



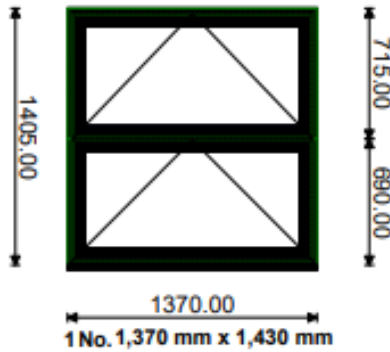
1 Tregonhayne Court

Quote Totals

Quote: 424 Item: 1 Front 1 Qty: 1

1

SMARTSWIN  
ETC614: Outer Frame  
ETC624: Vent  
ETC631: Mullion/Transom  
ETC451: Cill  
NONE: Head Extension

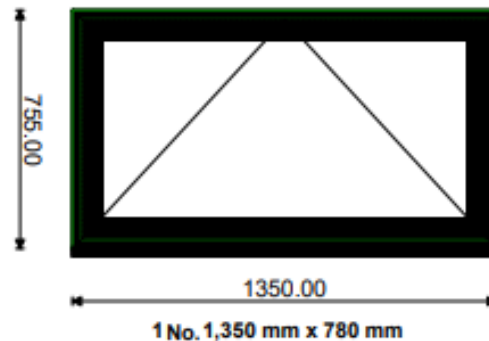


Nett: £ 1,188.00  
VAT: £ 237.60  
Item Cost: £ 1,425.60

Quote: 424 Item: 2 Front 2 Qty: 1

2

SMARTSWIN  
ETC614: Outer Frame  
ETC624: Vent  
ETC631: Mullion/Transom  
ETC451: Cill  
NONE: Head Extension



Nett: £ 798.00  
VAT: £ 159.60  
Item Cost: £ 957.60



www.levickandjenkin.com  
info@levickandjenkin.com  
01326 377582

Update 16.4.993 Page 2  
V6 Quote: 424  
Version 1 | 25/02/2021  
Job Ref :

**LEVICK & JENKIN LTD**

**1 Tregonhayne Court**

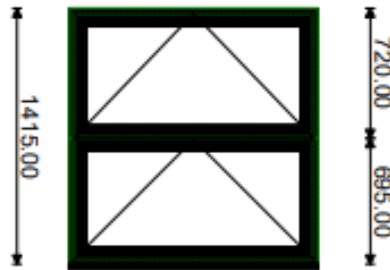
**Quote Totals**

Quote: 424 Item: 3 Front 3 Qty: 1

**3**

SMARTSWIN

ETC614: Outer Frame  
ETC624: Vent  
ETC631: Mullion/Transom  
ETC451: Cill  
NONE: Head Extension



1380.00  
1 No. 1,380 mm x 1,440 mm

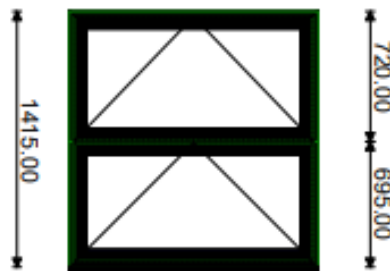
Nett: £ 1,197.00  
VAT: £ 239.40  
Item Cost: £ 1,436.40

Quote: 424 Item: 4 Front 4 Qty: 1

**4**

SMARTSWIN

ETC614: Outer Frame  
ETC624: Vent  
ETC631: Mullion/Transom  
ETC451: Cill  
NONE: Head Extension



1380.00  
1 No. 1,380 mm x 1,440 mm

Nett: £ 1,197.00  
VAT: £ 239.40  
Item Cost: £ 1,436.40



www.levickandjenkin.com  
info@levickandjenkin.com  
01326 377582

Update 16.4.993 | Page 3  
V6 Quote: 424  
Version 1 | 25/02/2021  
Job Ref :

**LEVICK & JENKIN LTD**

**1 Tregonhayne Court**

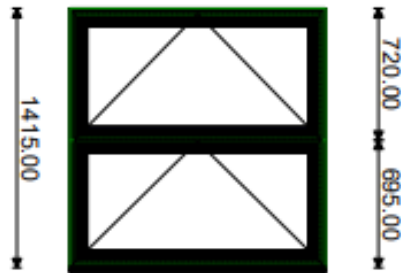
**Quote Totals**

Quote: 424 Item: 5 Front 5 Qty: 1

**5**

SMARTSWIN

ETC614: Outer Frame  
ETC624: Vent  
ETC631: Mullion/Transom  
ETC451: Cill  
NONE: Head Extension



1400.00  
1 No. 1,400 mm x 1,440 mm

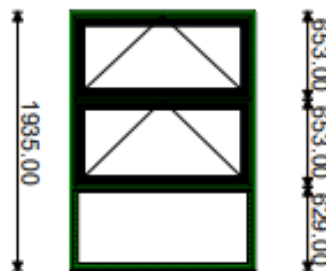
Nett: £ 1,197.00  
VAT: £ 239.40  
Item Cost: £ 1,436.40

Quote: 424 Item: 6 Side 1 Qty: 1

**6**

SMARTSWIN

ETC614: Outer Frame  
ETC624: Vent  
ETC631: Mullion/Transom  
ETC451: Cill  
NONE: Head Extension



1380.00  
1 No. 1,380 mm x 1,960 mm

Nett: £ 1,386.00  
VAT: £ 277.20  
Item Cost: £ 1,663.20



**LEVICK & JENKIN LTD**

www.levickandjenkin.com  
info@levickandjenkin.com  
01326 377582

Update 16.4.993 | Page 4  
V6 Quote: 424  
Version 1 | 25/02/2021  
Job Ref :

## 1 Tregonhayne Court

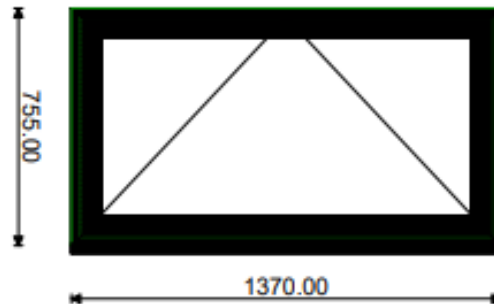
**Quote Totals**

Quote: 424    Item: 7    Side 2    Qty: 1

### 7

SMARTSWIN

ETC614: Outer Frame  
ETC624: Vent  
ETC631: Mullion/Transom  
ETC451: Cill  
NONE: Head Extension



1 No. 1,370 mm x 780 mm

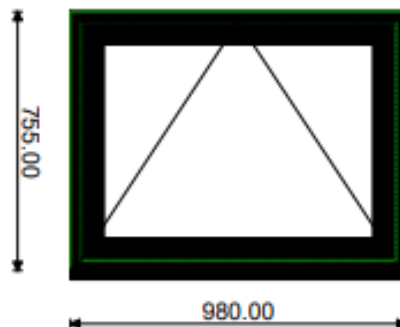
Nett:	£ 804.00
VAT:	£ 160.80
Item Cost:	£ 964.80

Quote: 424    Item: 8    Side 3    Qty: 1

### 8

SMARTSWIN

ETC614: Outer Frame  
ETC624: Vent  
ETC631: Mullion/Transom  
ETC451: Cill  
NONE: Head Extension



1 No. 980 mm x 780 mm

Nett:	£ 711.00
VAT:	£ 142.20
Item Cost:	£ 853.20

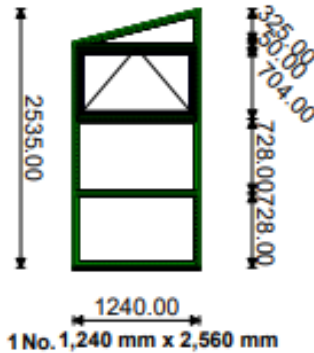
**1 Tregonhayne Court**

**Quote Totals**

Quote: 424	Item: 9	Porch Side	Qty: 1
------------	---------	------------	--------

**9**

SMARTSWIN  
 ETC614: Outer Frame  
 ETC624: Vent  
 ETC631: Mullion/Transom  
 ETC451: Cill  
 NONE: Head Extension

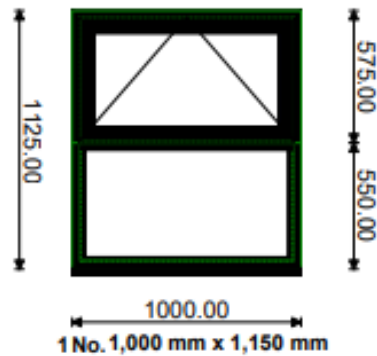


Nett:	£ 1,483.00
VAT:	£ 296.60
<b>Item Cost:</b>	<b>£ 1,779.60</b>

Quote: 424	Item: 10	Side 1st Floor	Qty: 1
------------	----------	----------------	--------

**10**

SMARTSWIN  
 ETC614: Outer Frame  
 ETC624: Vent  
 ETC631: Mullion/Transom  
 ETC451: Cill  
 NONE: Head Extension



Nett:	£ 822.00
VAT:	£ 164.40
<b>Item Cost:</b>	<b>£ 986.40</b>

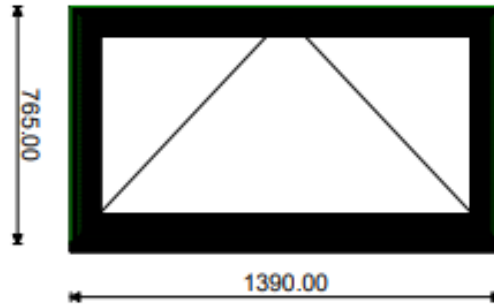
**1 Tregonhayne Court**

**Quote Totals**

Quote: 424	Item: 11	Utility	Qty: 1
------------	----------	---------	--------

**11**

SMARTSWIN  
 ETC614: Outer Frame  
 ETC624: Vent  
 ETC631: Mullion/Transom  
 ETC451: Cill  
 NONE: Head Extension



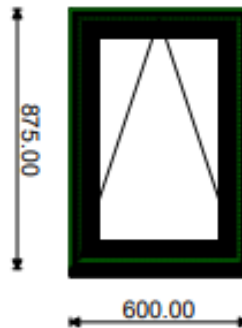
1 No. 1,390 mm x 790 mm

Nett:	£ 812.00
VAT:	£ 162.40
<b>Item Cost:</b>	<b>£ 974.40</b>

Quote: 424	Item: 12	Side	Qty: 1
------------	----------	------	--------

**12**

SMARTSWIN  
 ETC614: Outer Frame  
 ETC624: Vent  
 ETC631: Mullion/Transom  
 ETC451: Cill  
 NONE: Head Extension



1 No. 600 mm x 900 mm

Nett:	£ 644.00
VAT:	£ 128.80
<b>Item Cost:</b>	<b>£ 772.80</b>



**LEVICK & JENKIN LTD**

www.levickandjenkin.com  
info@levickandjenkin.com  
01326 377582

Update 16.4.993 | Page 7  
V6 Quote: 424  
Version 1 | 25/02/2021  
Job Ref :

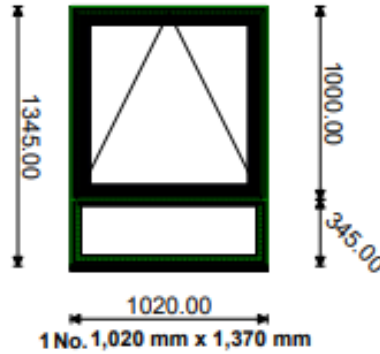
**1 Tregonhayne Court**

**Quote Totals**

Quote: 424    Item: 13    Kitchen    Qty: 1

# 13

SMARTSWIN  
ETC614: Outer Frame  
ETC624: Vent  
ETC631: Mullion/Transom  
ETC451: Cill  
NONE: Head Extension

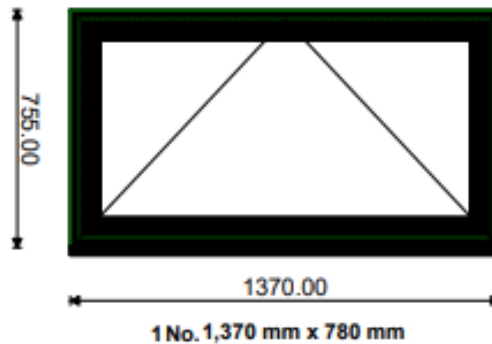


Nett: £ 896.00  
VAT: £ 179.20  
Item Cost: £ 1,075.20

Quote: 424    Item: 14    Upper Court 1    Qty: 1

# 14

SMARTSWIN  
ETC614: Outer Frame  
ETC624: Vent  
ETC631: Mullion/Transom  
ETC451: Cill  
NONE: Head Extension



Nett: £ 804.00  
VAT: £ 160.80  
Item Cost: £ 964.80



www.levickandjenkin.com  
 info@levickandjenkin.com  
 01326 377582

Update 16.4.993 | Page 8  
 V6 Quote: 424  
 Version 1 | 25/02/2021  
 Job Ref :

# LEVICK & JENKIN LTD

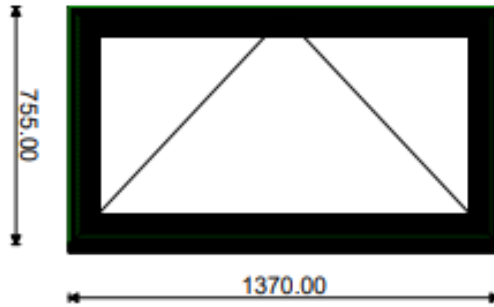
## 1 Tregonhayne Court

## Quote Totals

Quote: 424    Item: 15    Upper Court 2    Qty: 1

### 15

SMARTSWIN  
 ETC614: Outer Frame  
 ETC624: Vent  
 ETC631: Mullion/Transom  
 ETC451: Cill  
 NONE: Head Extension



1 No. 1,370 mm x 780 mm

Nett:	£ 804.00
VAT:	£ 160.80
<b>Item Cost:</b>	<b>£ 964.80</b>

### Quote Summary: 424

#### Quote Summary

Quote costing includes Extrusion RoundUp

Quote No: 424  
 Version: 1 | 25/02/2021  
 Items: 15 Unit(s)

Nett	£ 14,743.00
VAT:	£ 2,948.60
<b>Total :</b>	<b>£ 17,691.60</b>

\*(Grand Total includes VAT @ 20%)

This is an estimation only, based upon information input.  
 Any details supplied are for information purposes only and do not imply Smart Systems' approval of the proposal.  
 Smart Systems accept no responsibility for the correctness of this informati