

ASK ITALIAN

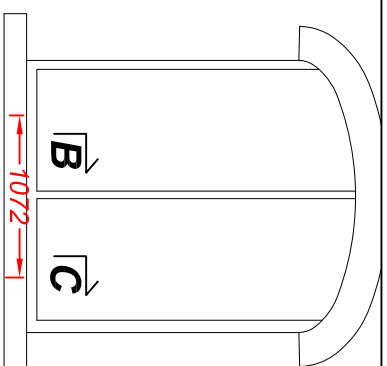
A

A

2633

600

3657



B

C

1072

ASK ITALIAN

B

C

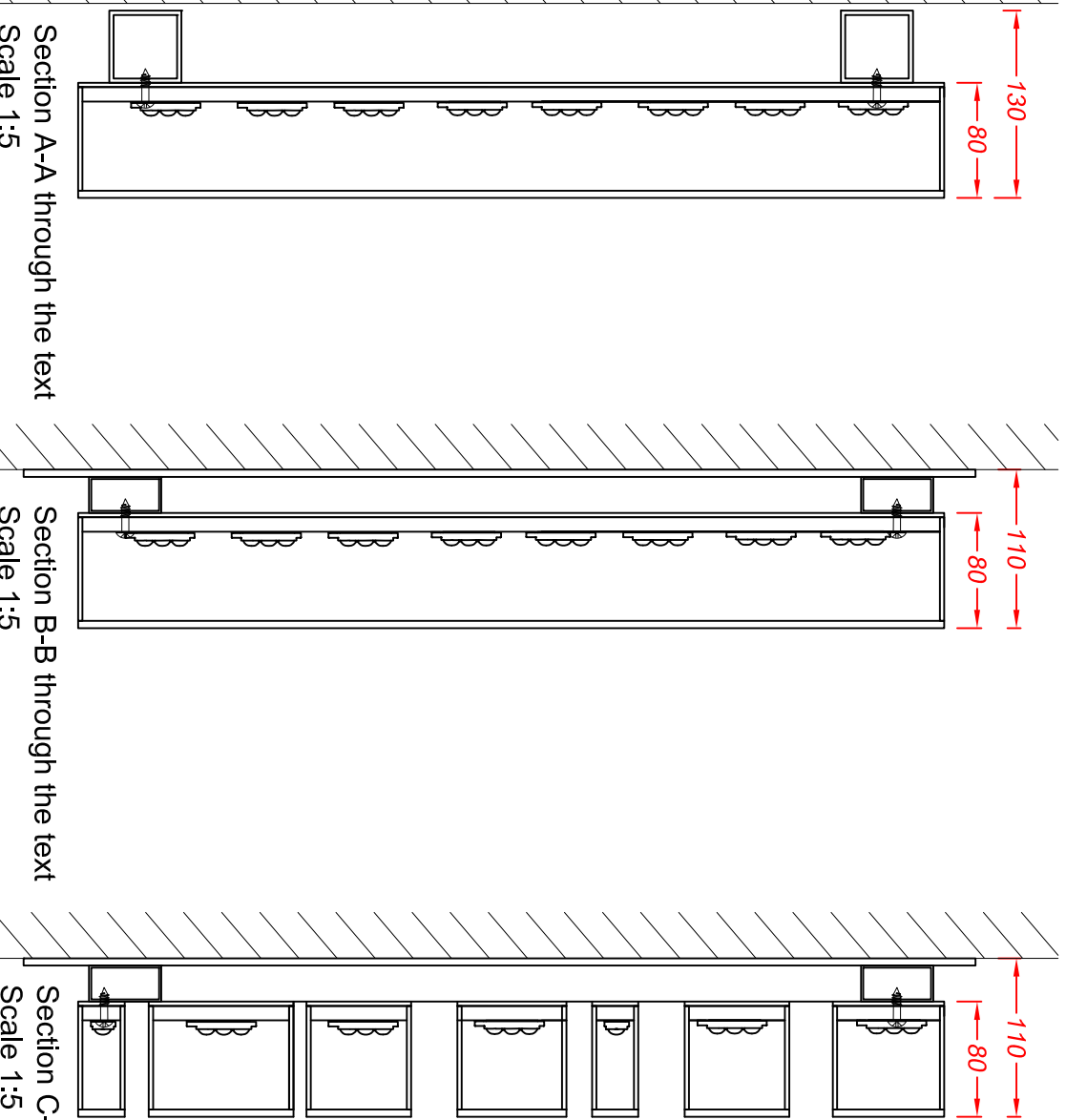
600

3006

Front Elevation
Scale 1:50

wall mounted menu

1050



Section A-A through the text
Scale 1:5

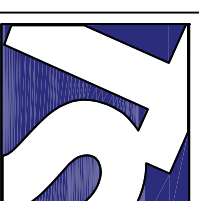
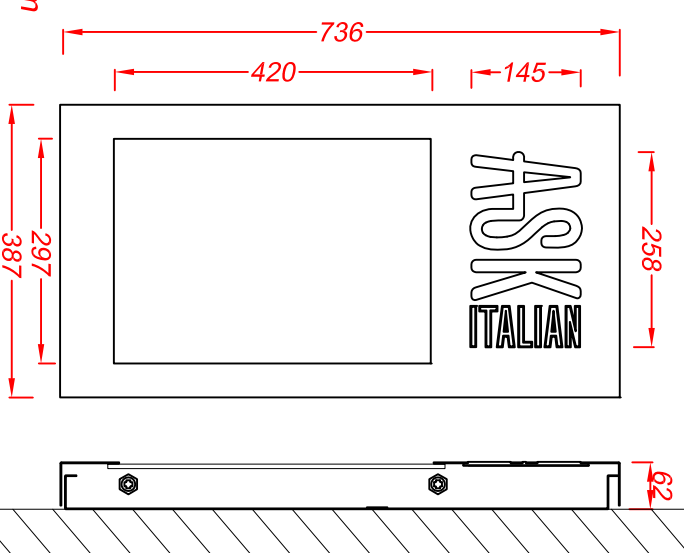
Section B-B through the text
Scale 1:5

Section C-C through the text
Scale 1:5

Built-up letters have 3mm opal acrylic returns and 5mm opal acrylic faces. The returns have white opaque vinyl applied while the faces are left as translucent. The 'ITALIAN' letters have inset dark grey opaque vinyl applied to the faces Fitted with low energy white LEDs for face illumination of the 'ASK' letters and a keyline illumination on the 'ITALIAN' letters. Backs are screw fixed to either 50x50mm SHS horizontal rails on the left sign and 50x25mm RHS rails on the right sign. Rails are finished similar to the brickwork and are fixed to the brickwork.



Menu box - 1 off
Scale 1:10
Folded and soldered 1.2mm brushed brass box with a hinged access door. Window is fitted with 6mm toughened glass. Steel hinge and chrome lock. Fret cut text is backed with 5mm opal 030 acrylic. Fitted with low energy white LEDs in the top recess. Screw fixed to the wall.



Technical Signs
Floor 1 - Unit 3
Hillie Business Centre
132 St Albans Road
Watford, Herts, WD24 4AE
Tel: 01923 811999
Fax: 01923 811998
E-mail: info@technicalsigns.co.uk

Client: ASK	
Address/Job details Warehouse 6 Princess Dock St Kingston-upon-Hull HU1 2LP	
Existing Signage	
Job No	
Drawn by DN	Date 18/06/21
Scale As specified (A3)	Drawing No 596385-1
	Rev