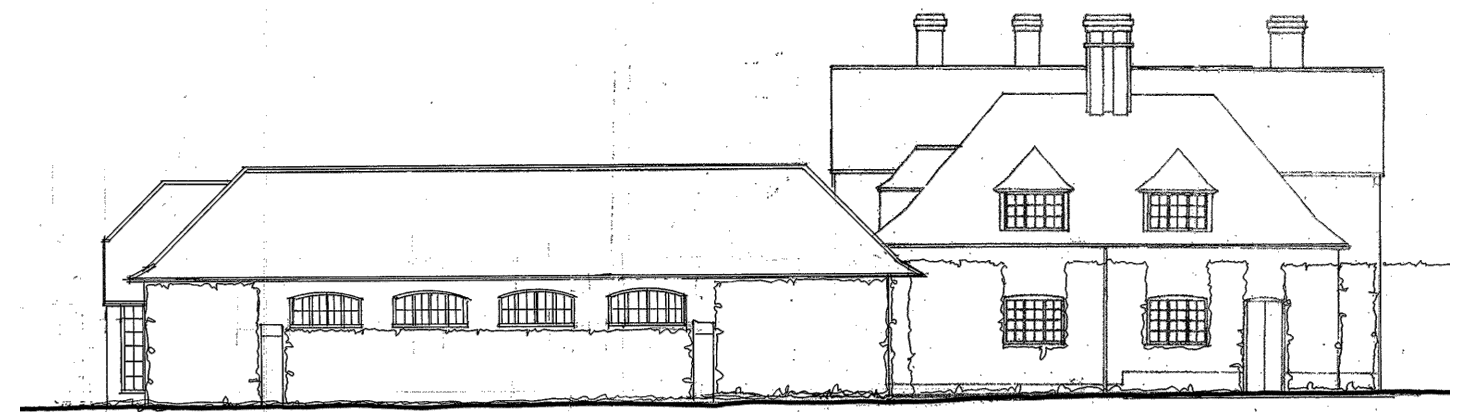
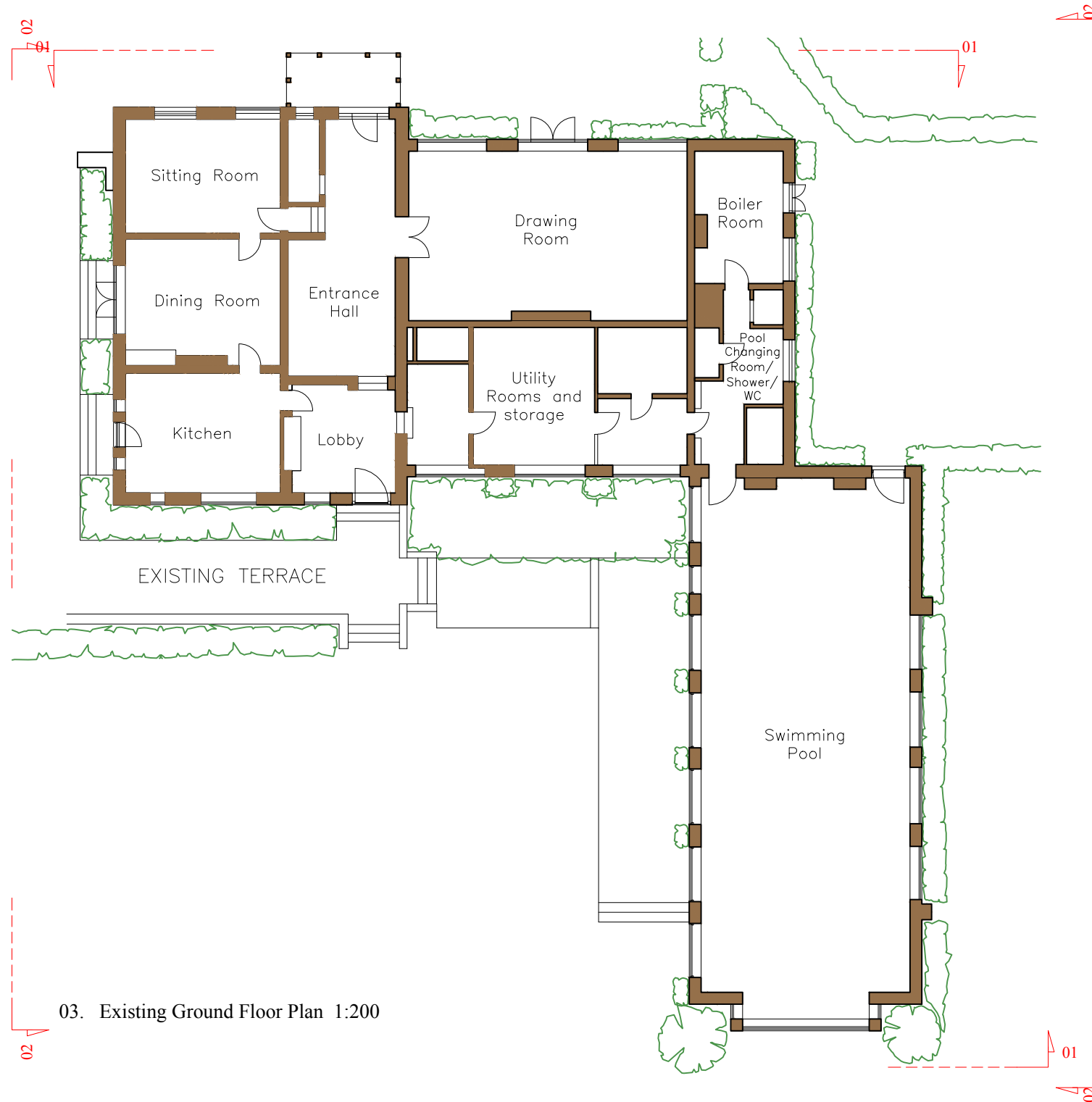




01. Existing South Elevation 1:200



02. Existing West Elevation 1:200



03. Existing Ground Floor Plan 1:200

REV A 21.07.21 Chimney and roof amendments following planning feedback

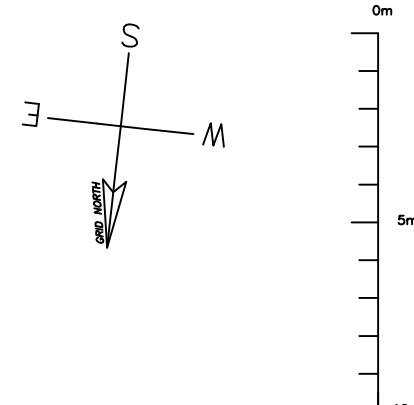
Revision:	Date:	Notes:

Robin Samuel Associates  
 Architecture & Design  
 Studio 6, 59 Weald Road, Brentwood, Essex.  
 CM14 4TN  
 Telephone: +44 1277 213082 Fax: +44 1277 231557  
 E-Mail: RobinSamuel@aol.com  
 E-Mails drawings/photographs: robin.samuel@btclick.com

Project: Swimming Pool  
 Marise Cottage –  
 Garden Room/Office

Drawing Title:  
 Existing Plan, Elevations

Date: July 2020	Scale: 1:200	A3
Job Number 2009	Drawing: 1 001 03	Revision: A



REV ~ ~ ~ ~