

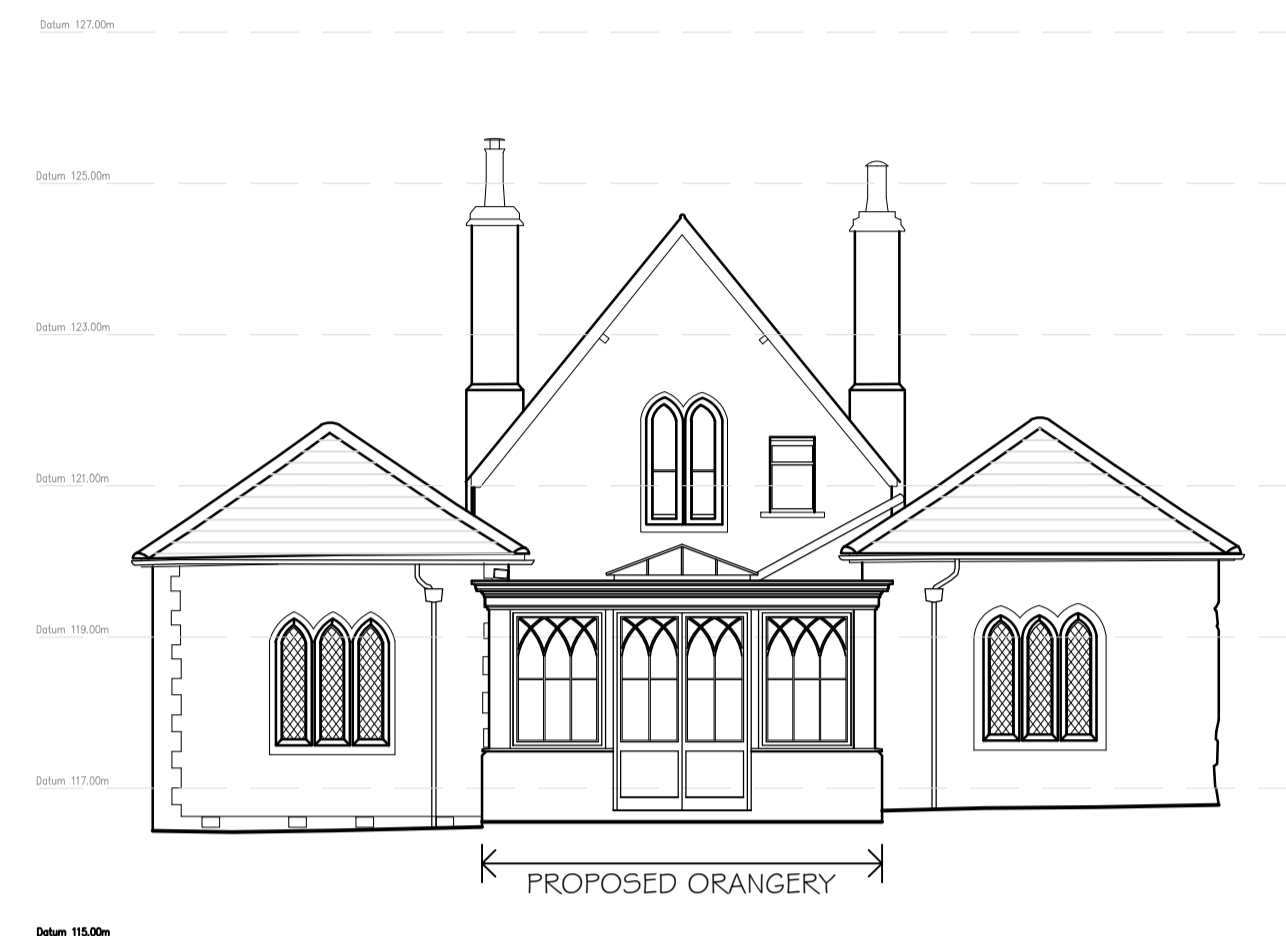
NOTES  
 WRITTEN DIMENSIONS TO BE TAKEN BY PREFERENCE TO SCALE.  
 ARE TO BE CHECKED ON SITE PRIOR TO COMMENCING WORK.  
 THIS DRAWING IS TO BE READ IN CONJUNCTION WITH ALL OTHER  
 DOCUMENTS RELATING TO THIS PROJECT.  
 ANY DISCREPANCIES ARE TO BE REFERRED IMMEDIATELY TO THE  
 PROJECT DESIGNER.  
 THIS DRAWING IS COPYRIGHT AND SHOULD NOT BE USED OR  
 REPRODUCED WITHOUT PERMISSION.  
 IT IS THE CONTRACTOR'S RESPONSIBILITY TO ENSURE COMPLIANCE  
 WITH THE BUILDING REGULATIONS.



PROPOSED FRONT (SOUTH WEST) ELEVATION



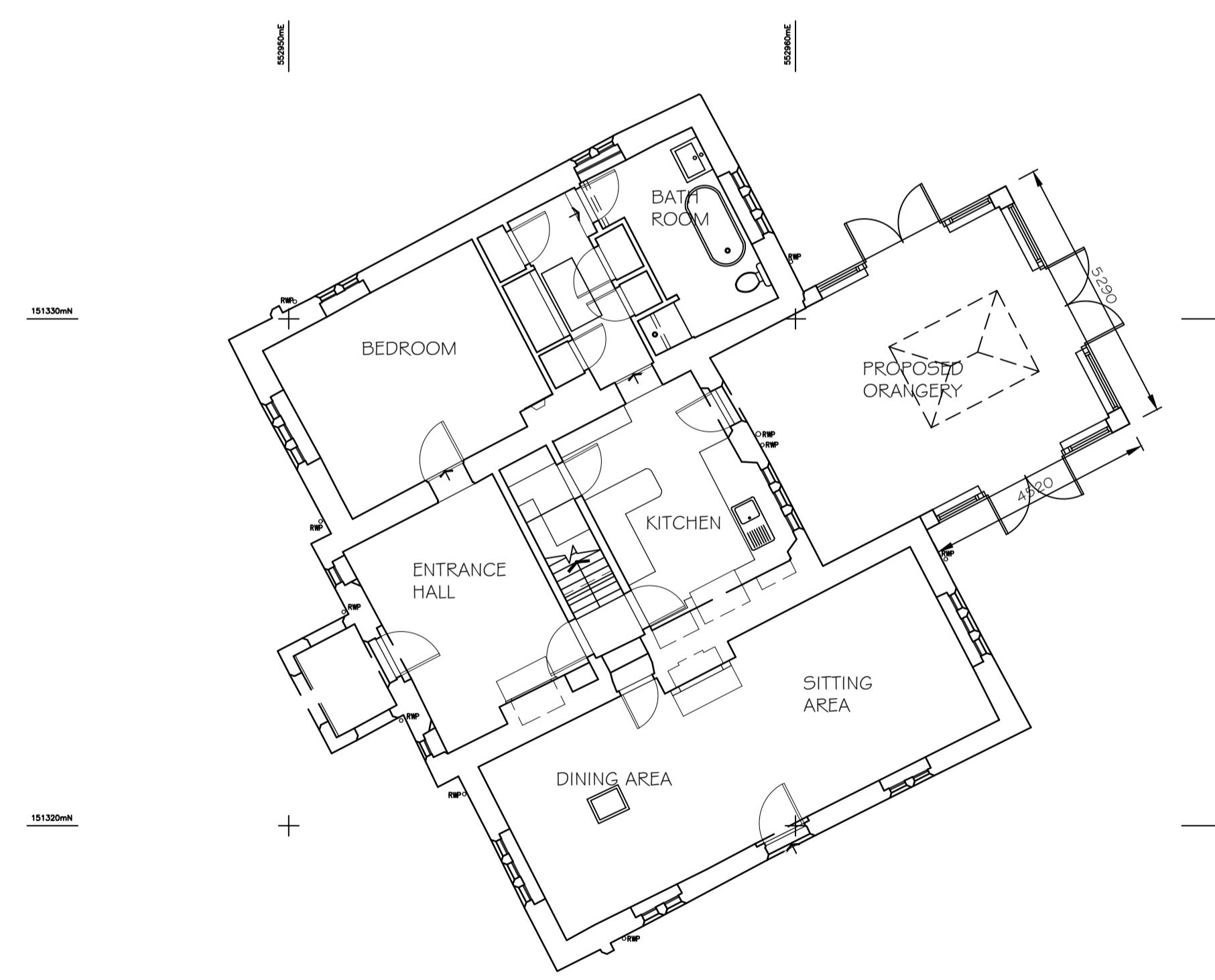
PROPOSED SIDE (SOUTH EAST) ELEVATION



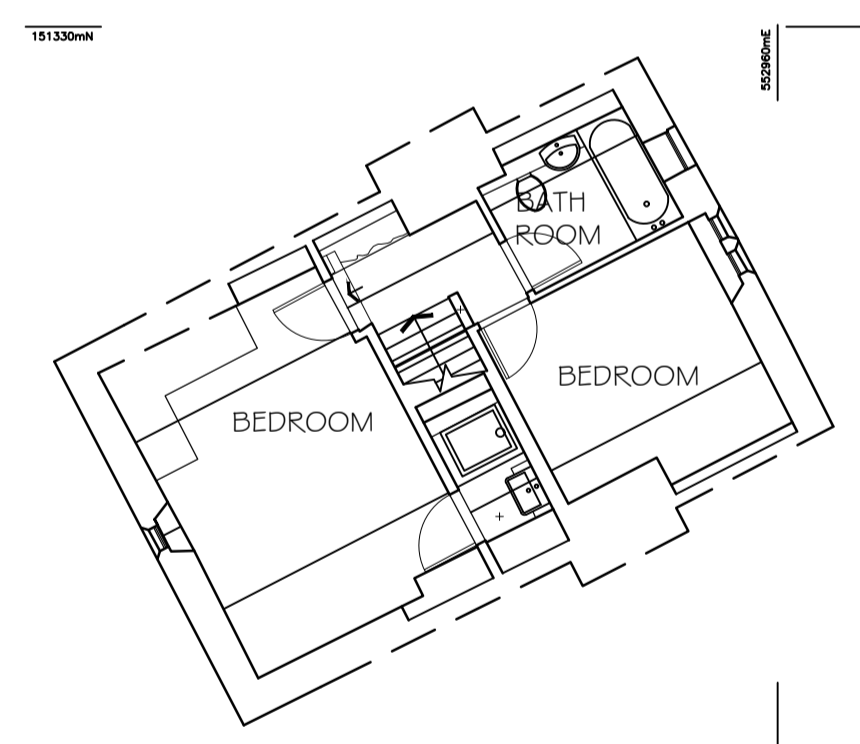
PROPOSED REAR (NORTH EAST) ELEVATION



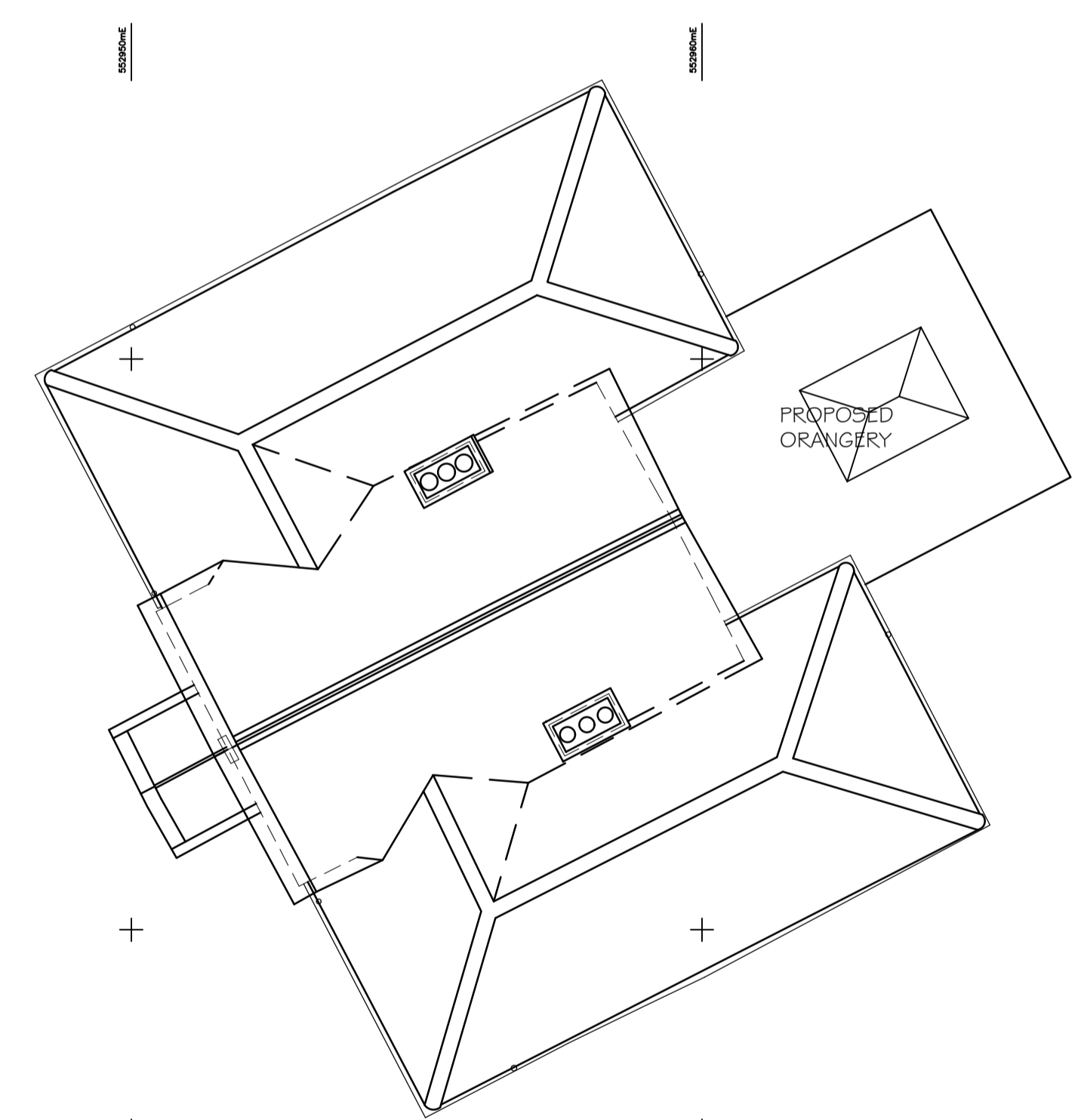
PROPOSED SIDE (NORTH WEST) ELEVATION



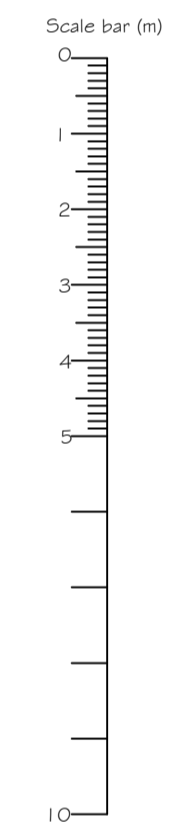
PROPOSED GROUND FLOOR PLAN



PROPOSED FIRST FLOOR PLAN



PROPOSED ROOF PLAN



C	INFORMATION RELATING TO REPLACEMENT GATES ADDED	24.07.21
B	ADDITIONAL PAIR OF DOORS ADDED	14.06.21
A	FENESTRATION AMENDED	16.09.21
REV	DESCRIPTION	DATE

**PROJECT**  
 THE OLD SCHOOL HOUSE  
 25 GLEBE ROAD  
 WEALD  
 KENT TN14 6PB

**DRAWING TITLE**  
 PROPOSED FLOOR PLANS, ROOF PLAN & ELEVATIONS

**SCALE** 1:100 @A1  
**DRAWN BY** PLB  
**DATE** MAY 21

**DWG NO** 1043/04  
**REV. C**