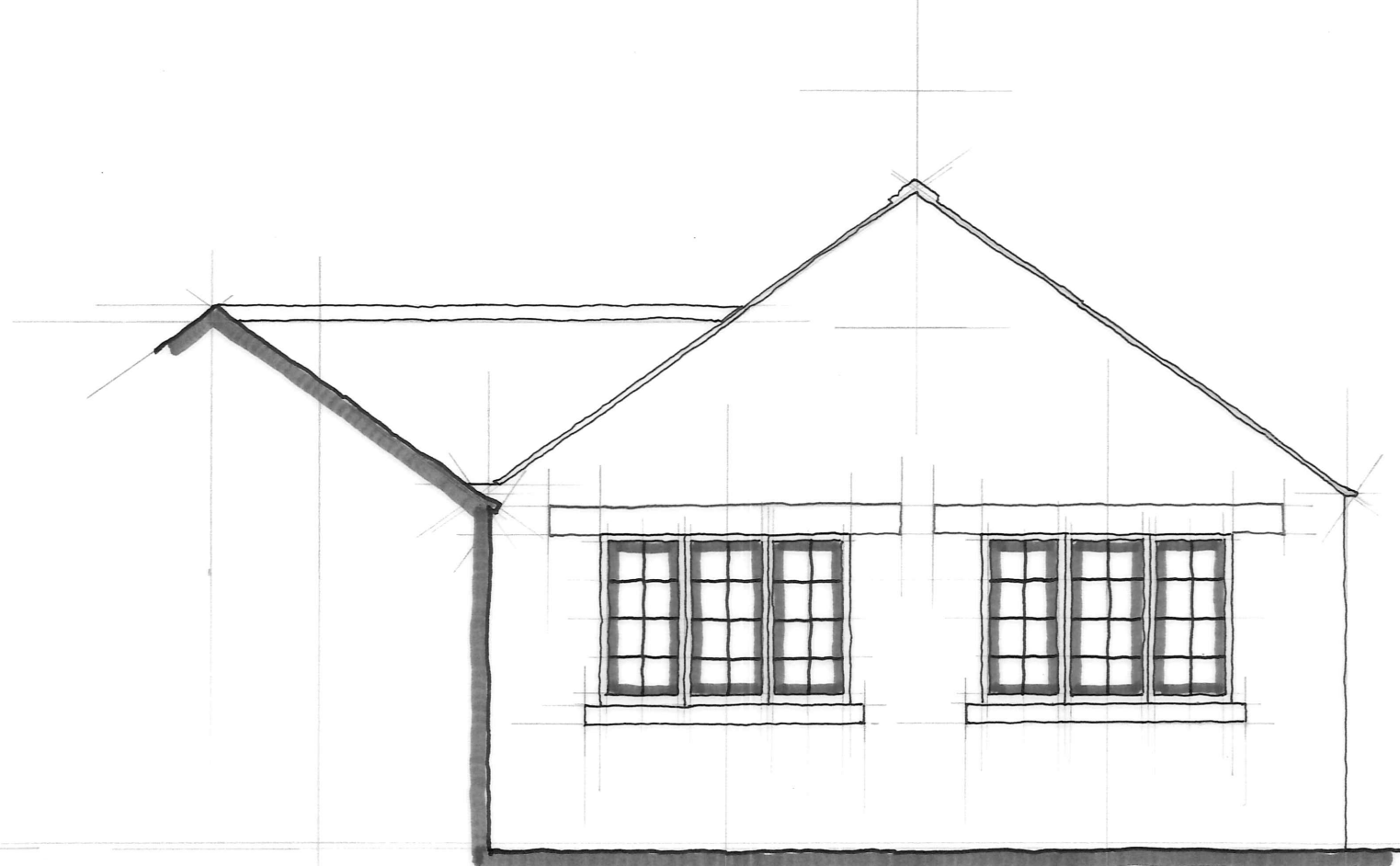
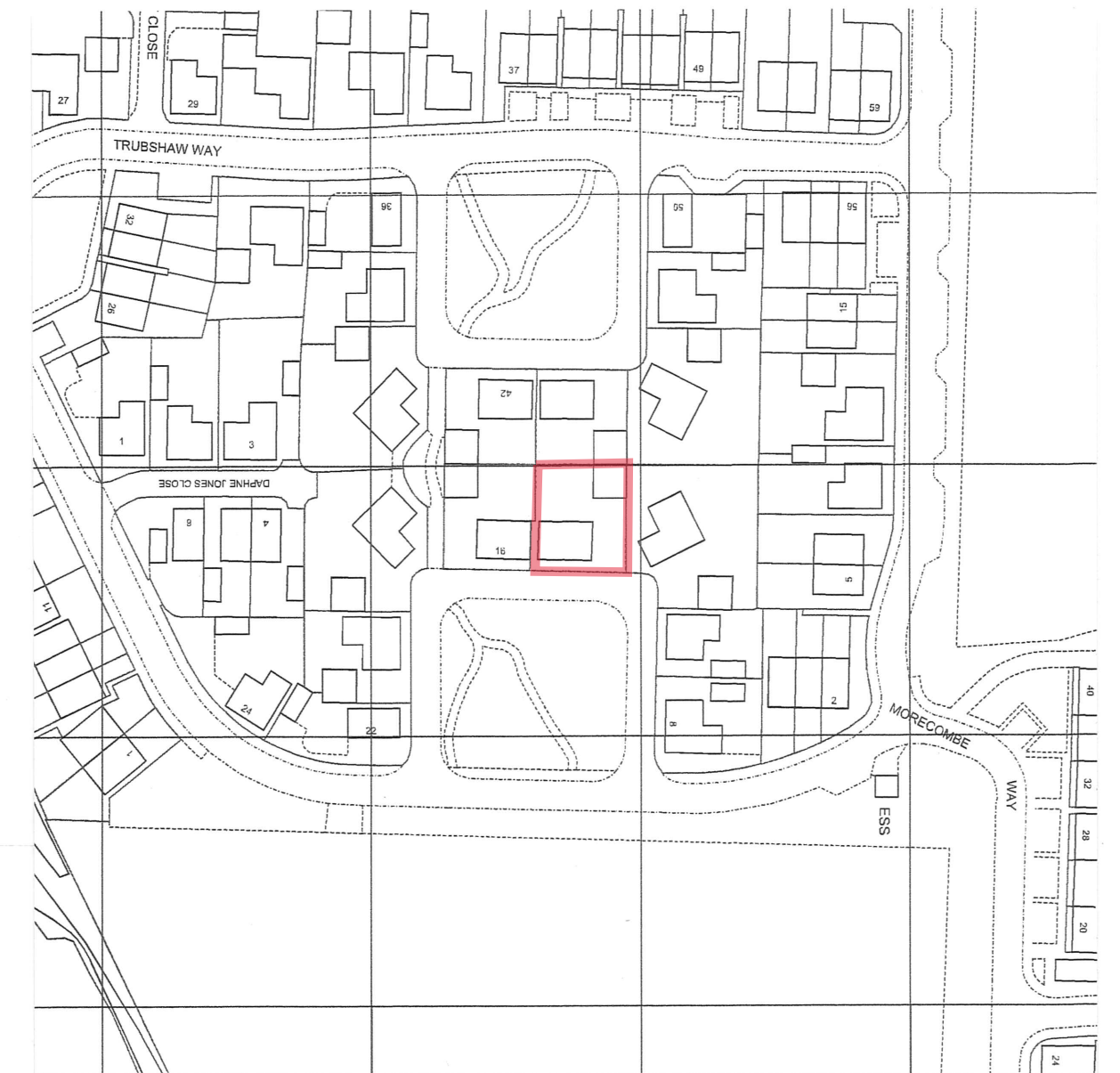


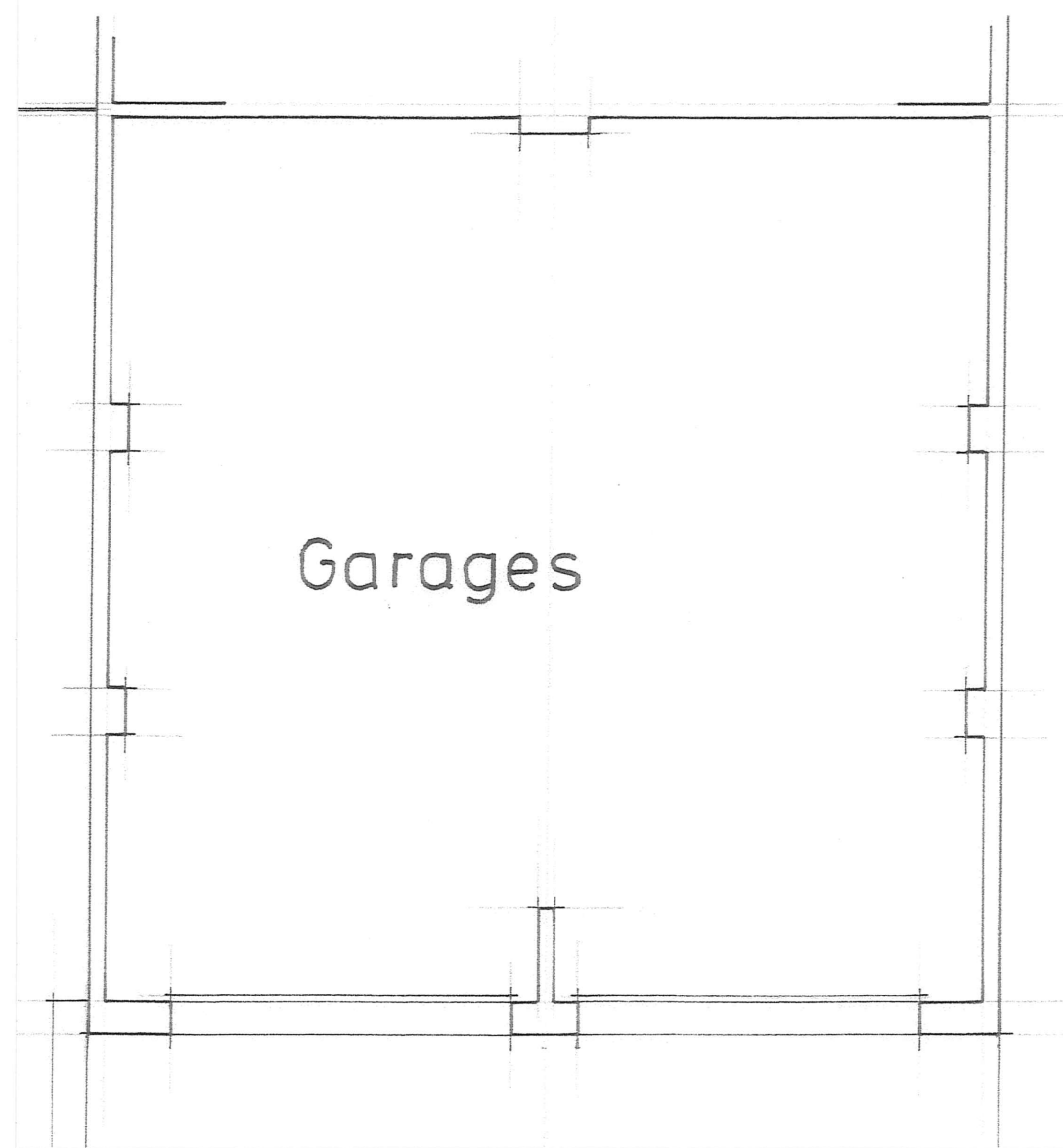
EXISTING ELEVATION



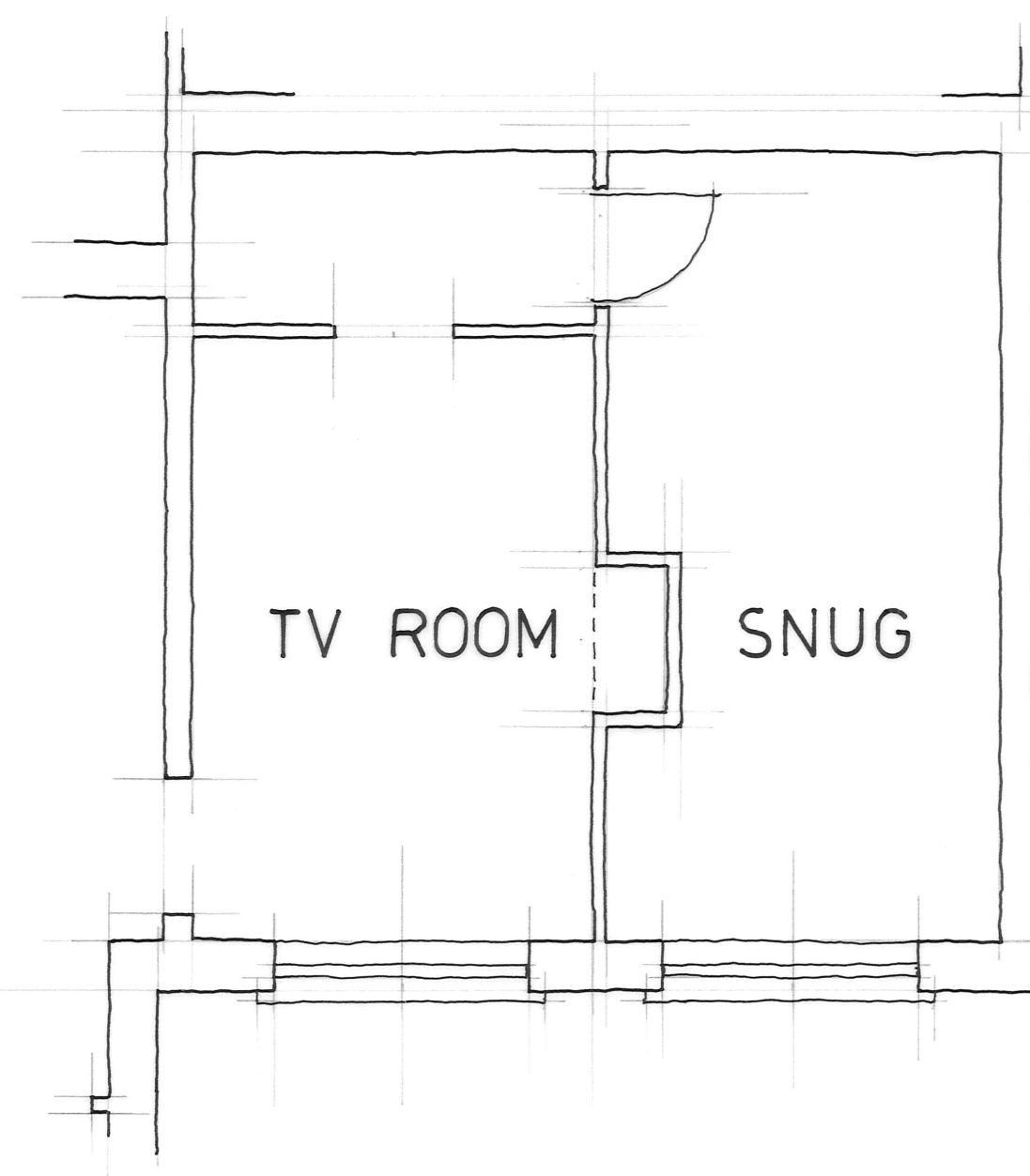
PROPOSED ELEVATION



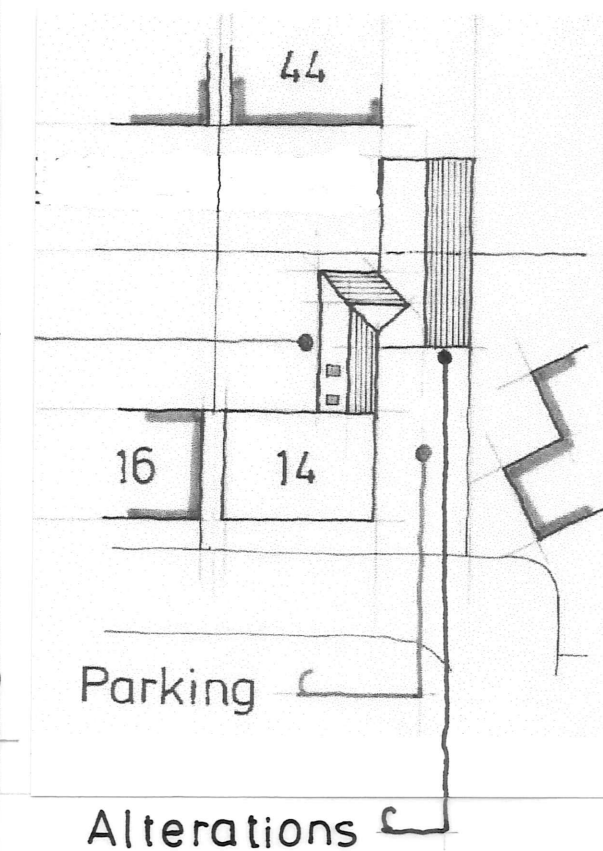
LOCATION PLAN 1:1250



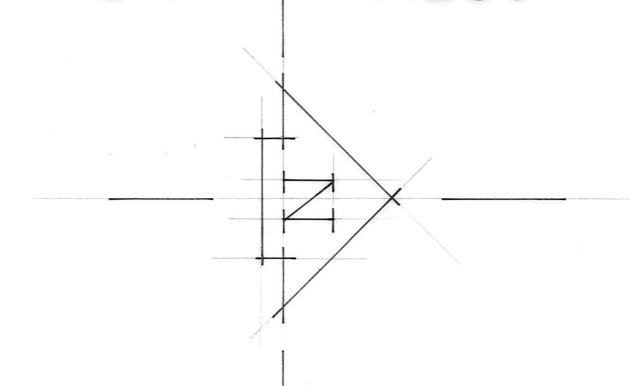
EXISTING LAYOUT



PROPOSED LAYOUT



SITE PLAN  
1:500



**I.B.A.**

Units E & F  
The Old Brickyard  
Ashton Keynes  
Wilts SN6 6QR  
Telephone no: 01285 861563  
E-mail: [ibauk20@gmail.com](mailto:ibauk20@gmail.com)

**Project:**  
Proposed Alterations  
14 Trubshaw Way  
Fairford

**Client:**  
Mr & Mrs James

**Title:**  
Existing & Proposed: Floor Layout,  
Elevations, Site & Location Plan

Scale: 1:50 @ A2 Date: July 2021

Drg no: 1097/01 Revisions: