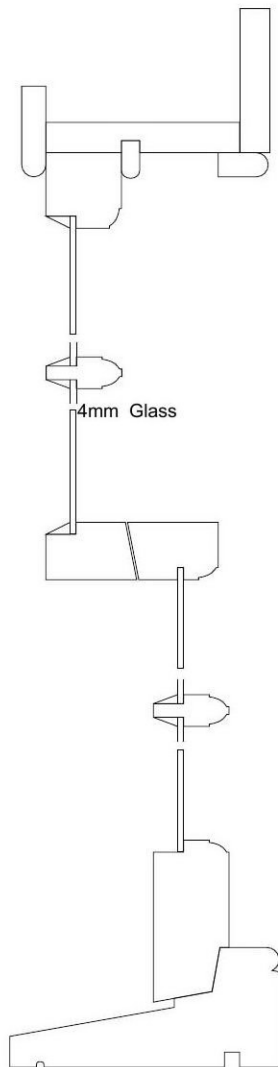
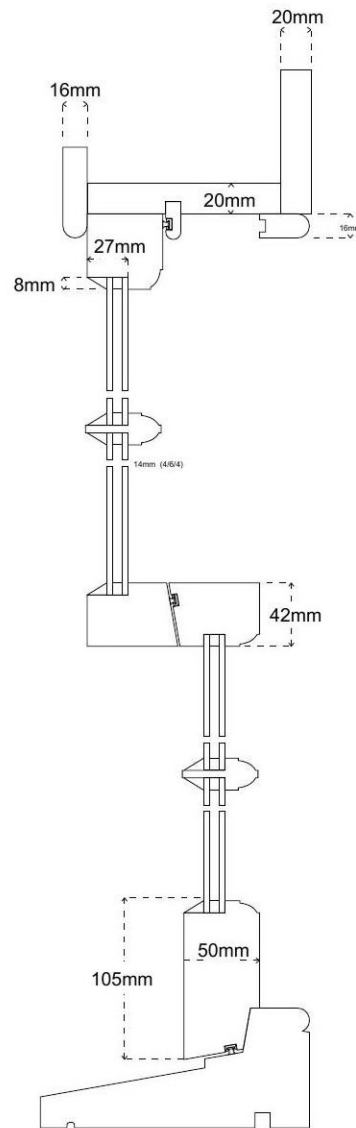


Typical Section Drawings

Existing Single Glazing



Typical Double Glazed Replacements

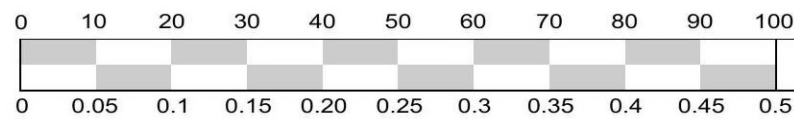
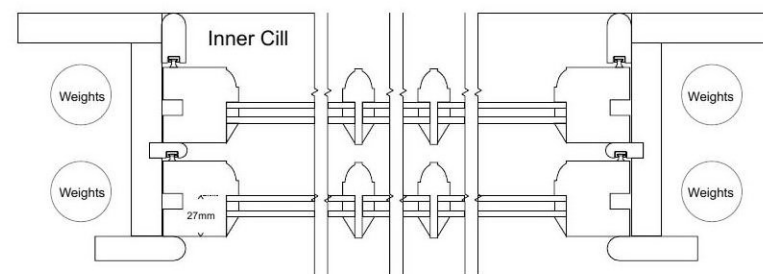
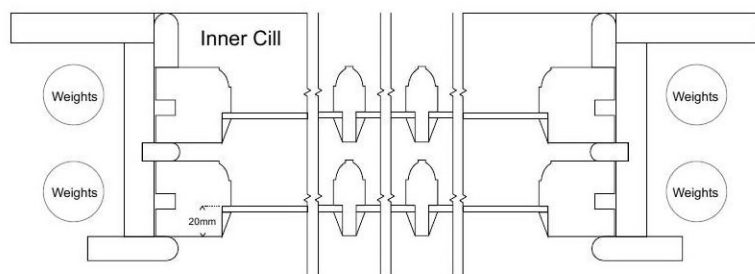
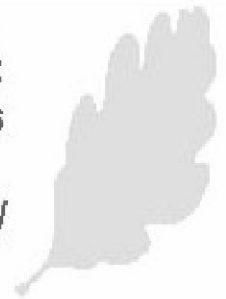


Proposed Window Specification:

Timber: Redwood/Pine
 Moulding Detail: Ogee
 Draught Exclusion: Brush Pile + Carrier
 Glazing: 14mm (4/6/4) Float/black spacer/k-Float
 Painting: Oil Based -White gloss external and white eggshell internal

Replacement sashes to be made to historic standards with traditional wedged mortice and tenon joinery.

This copy has been made by or with the authority of Midlothian Council pursuant to Section 47 of the Designs and Patents Act 1988. Unless that Act provides a relevant exception to copyright, the copy must not be copied without the prior permission of the copyright owner.



Section drawings are on a 1:5 Scale



EJ Manufacture Ltd

50a Sighthill Crescent, EH11 4QD
 0131 453 5900
 ejmanufacture@gmail.com

• Elaine Jackson

38 Main Street
 Newtongrange
 EH22 4LH