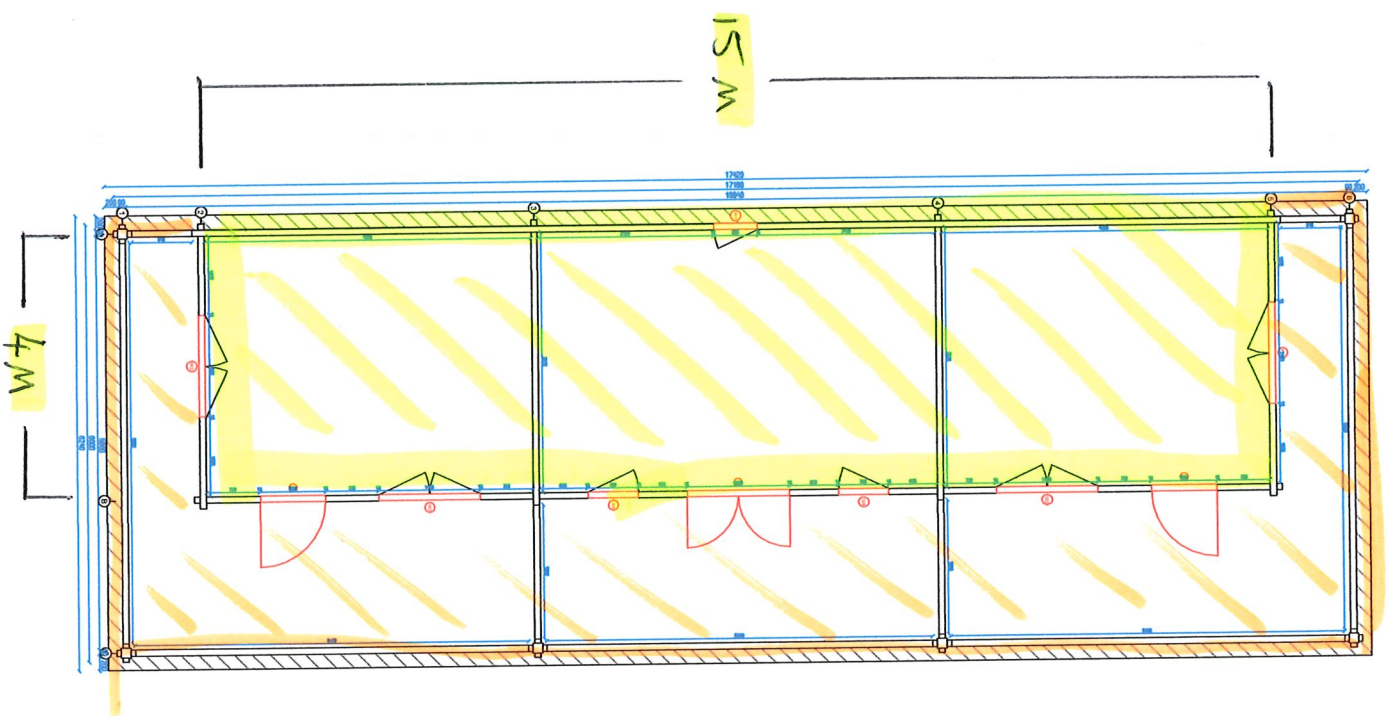


*Will End Hase + Document H*

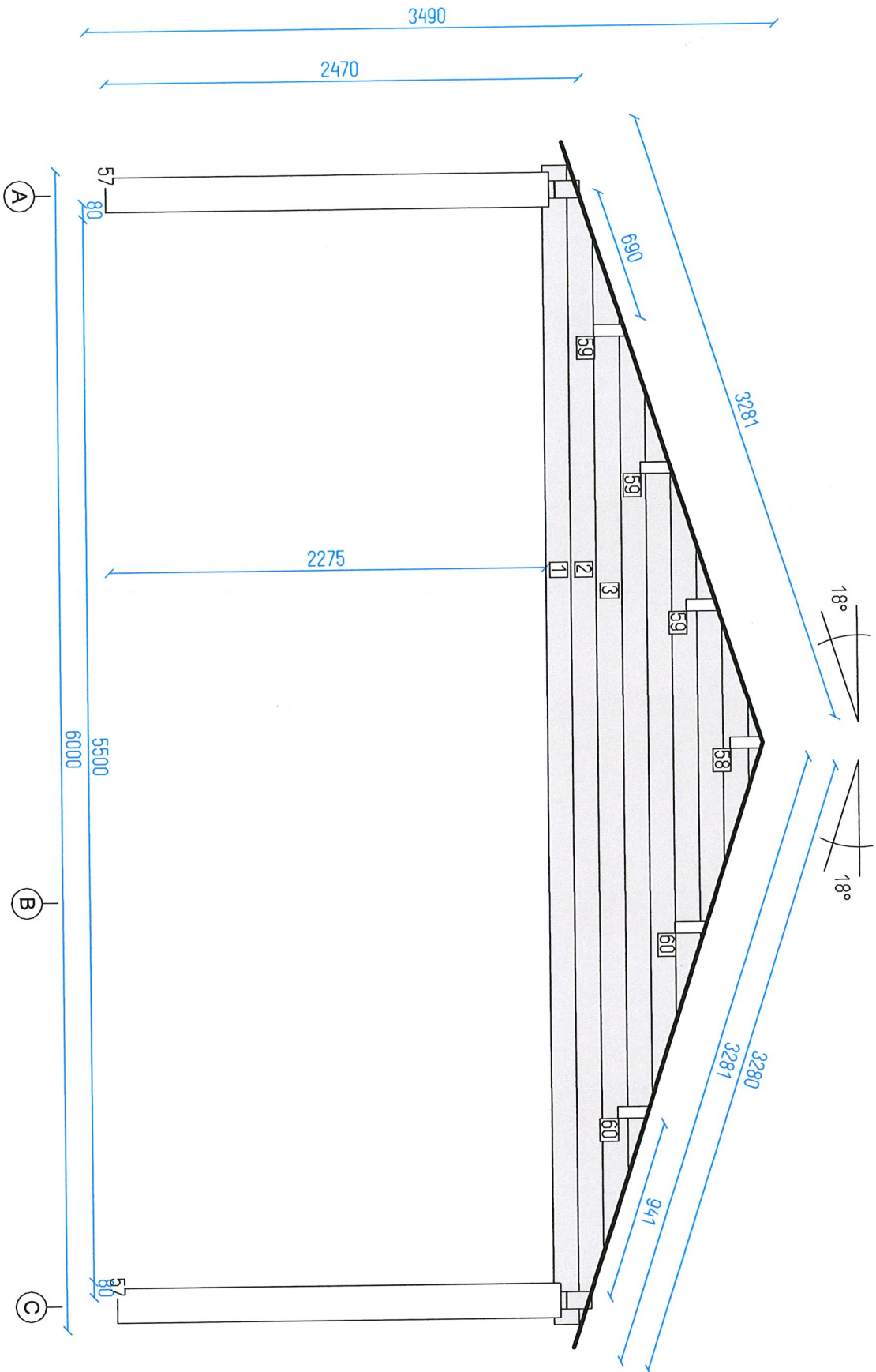


Sam Lewis 906 | 09-06

AND 1 OF 12 SHEET



Building.  
 Roof overhang!  
 (Sketcher.)



DETAILS

N	QTY
1	1
2	1
3	1
57	2
58	1
59	3
60	2

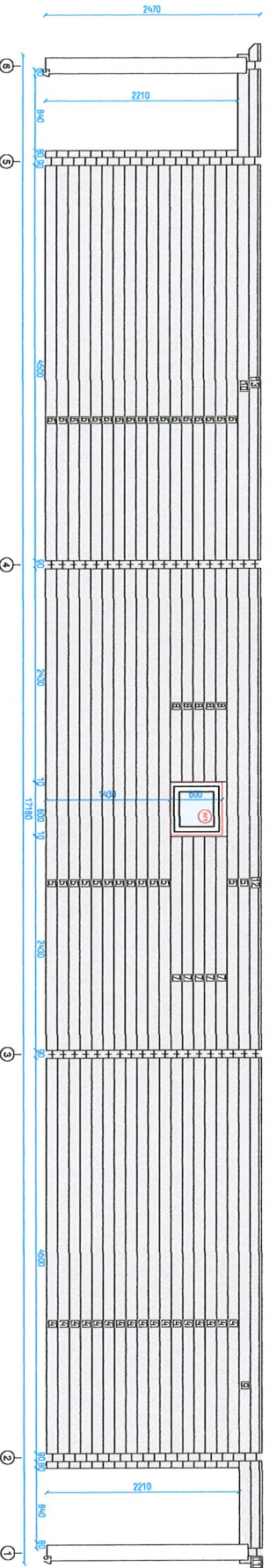
LIST OF ELEMENTS

1. Wall 130x90x6000
  2. Wall 130x90x6000
  3. Wall 130x90x5262
  57. Post. 180x180x2310
  58. Roof beam 200x70x1590
  59. Roof beam 200x70x1590
  60. Roof beam 200x70x500
- Total 4.55 m<sup>2</sup>

Sam Lewis 90g 19-06

Wall 1

AND 3 SHEET OF 12



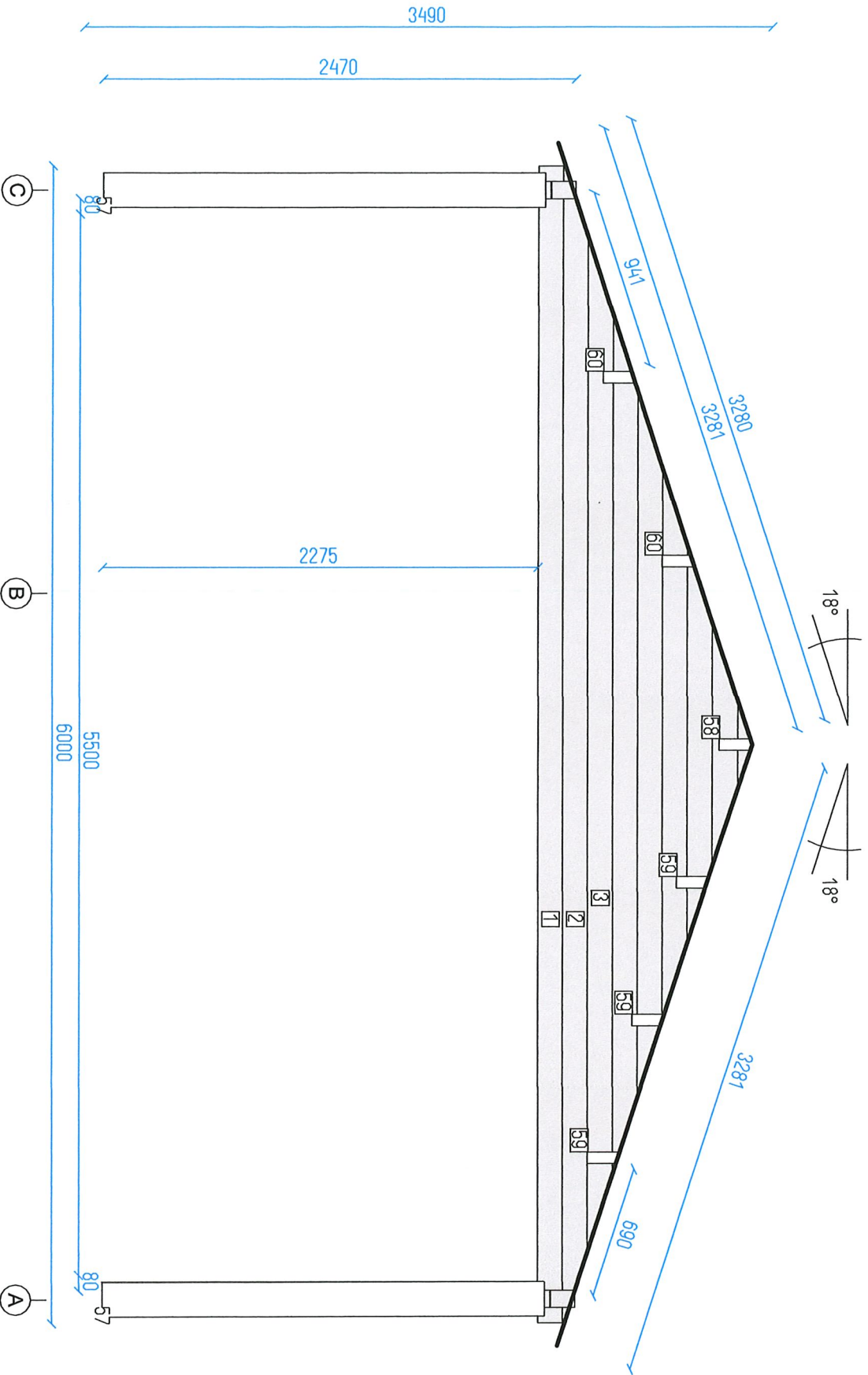
DETAILS	
N	QTY
4	17
5	13
6	17
7	5
8	5
9	1
10	1
11	1
12	1
13	1
57	2

LIST OF ELEMENTS

- 4. Wall 130x90x4715
  - 5. Wall 130x90x5570
  - 6. Wall 130x90x4715
  - 7. Wall 130x90x2475
  - 8. Wall 130x90x2475
  - 9. Wall 130x90x5805
  - 10. Wall 130x90x5805
  - 11. Wall 130x90x5925
  - 12. Wall 130x90x5570
  - 13. Wall 130x90x5925
  - 57. Post 180x180x2310
- Total 38.08 m<sup>2</sup>

Sam Lewis 90g1 09-06

Wall A AND 4 OF 12 SHEET



DETAILS

N	QTY
1	1
2	1
3	1
57	2
58	1
59	3
60	2

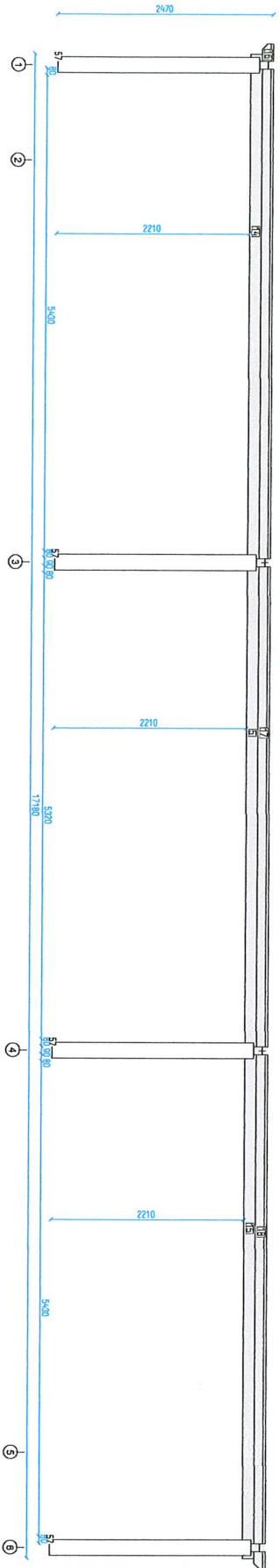
LIST OF ELEMENTS

1. Wall 130x90x6000
  2. Wall 130x90x6000
  3. Wall 130x90x5262
  57. Post 180x180x2310
  58. Roof beam 200x70x1590
  59. Roof beam 200x70x1590
  60. Roof beam 200x70x500
- Total 4.55 m<sup>2</sup>

Sam Lewis 90gl 09-06

Wall 6

AND 5 12  
SHEET OF



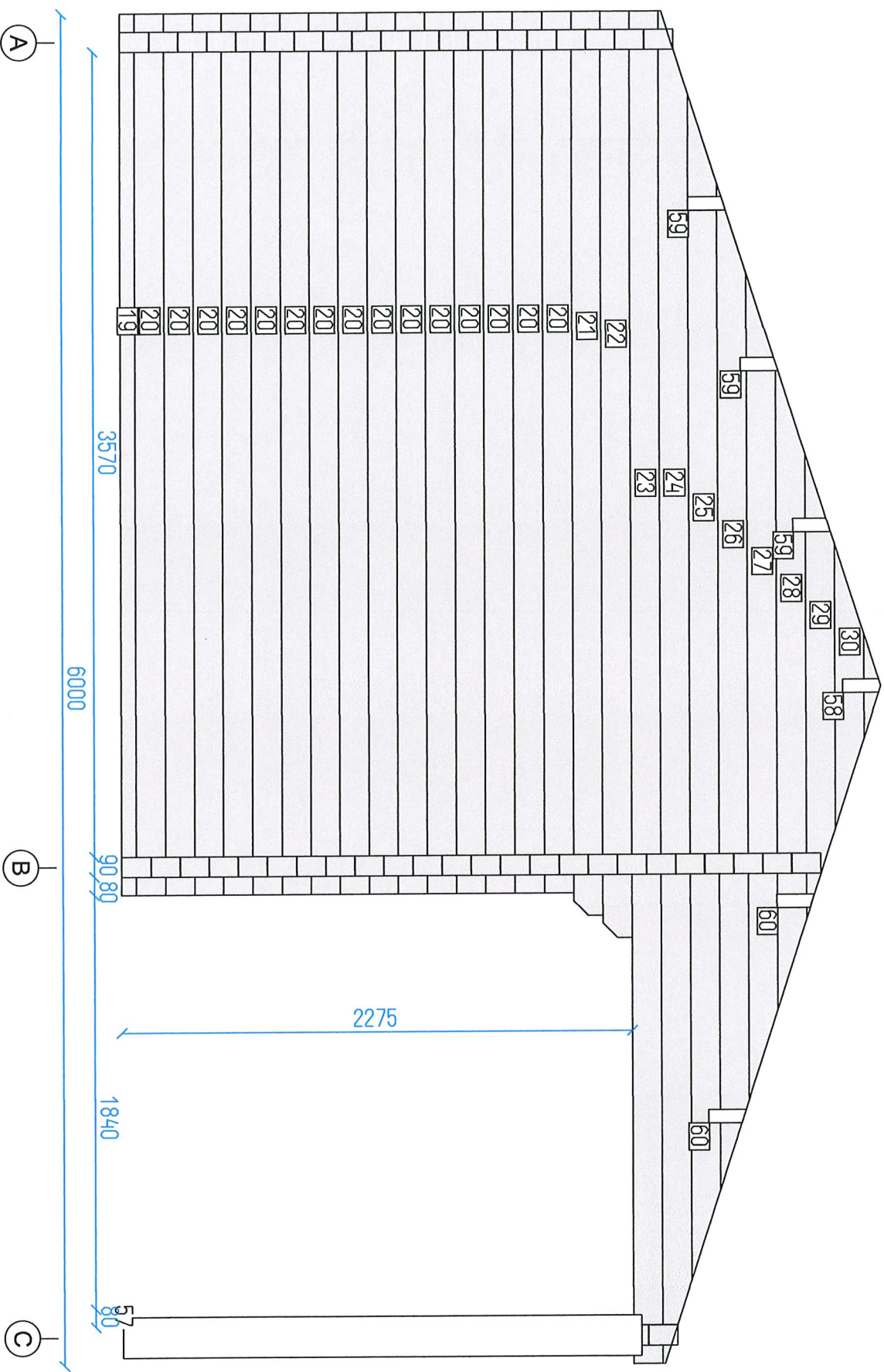
DETAILS

N	QTY
14	1
5	1
15	1
16	1
17	1
18	1
57	4

- LIST OF ELEMENTS
- 14. Wall 130x90x5805
  - 5. Wall 130x90x5570
  - 15. Wall 130x90x5805
  - 16. Wall 130x90x5925
  - 17. Wall 130x90x5570
  - 18. Wall 130x90x5925
  - 57. Post 180x180x2310
- Total 6,16 m<sup>2</sup>

Sam Lewis 90gl 09-06

Wall C AND 6 OF 12 SHEET



DETAILS

N	QTY
19	1
20	15
21	1
22	1
23	1
24	1
25	1
26	1
27	1
28	1
29	1
30	1
57	1
58	1
59	3
60	2

LIST OF ELEMENTS

- 19. Wall 65x90x3910
  - 20. Wall 130x90x3910
  - 21. Wall 130x90x4010
  - 22. Wall 130x90x4110
  - 23. Wall 130x90x6000
  - 24. Wall 130x90x6000
  - 25. Wall 130x90x5262
  - 26. Wall 130x90x4462
  - 27. Wall 130x90x3662
  - 28. Wall 130x90x2862
  - 29. Wall 130x90x2062
  - 30. Wall 130x90x1262
  - 57. Post 180x180x2310
  - 58. Roof beam 200x70x1590
  - 59. Roof beam 200x70x1590
  - 60. Roof beam 200x70x500
- Total 14,93 m<sup>2</sup>

Sam Lewis 90gl 09-06

Wall 4

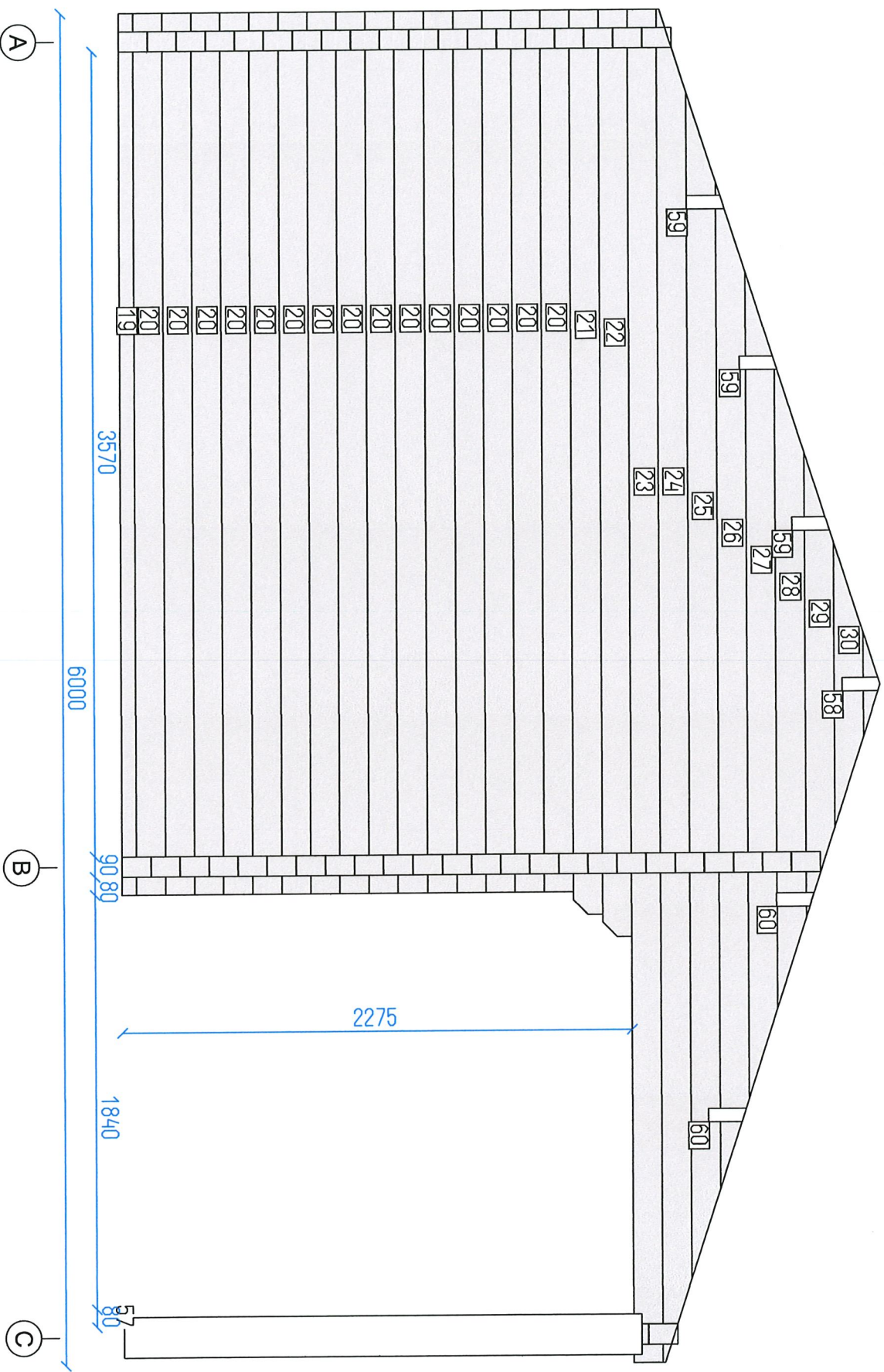
AND 7 SHEET OF 12

DETAILS

N	QTY
19	1
20	15
21	1
22	1
23	1
24	1
25	1
26	1
27	1
28	1
29	1
30	1
57	1
58	1
59	3
60	2

LIST OF ELEMENTS

- 19. Wall 65x90x3910
  - 20. Wall 130x90x3910
  - 21. Wall 130x90x4010
  - 22. Wall 130x90x4110
  - 23. Wall 130x90x6000
  - 24. Wall 130x90x6000
  - 25. Wall 130x90x5262
  - 26. Wall 130x90x4462
  - 27. Wall 130x90x3662
  - 28. Wall 130x90x2862
  - 29. Wall 130x90x2062
  - 30. Wall 130x90x1262
  - 57. Post 180x180x2310
  - 58. Roof beam 200x70x1590
  - 59. Roof beam 200x70x1590
  - 60. Roof beam 200x70x500
- Total 14,93 m<sup>2</sup>

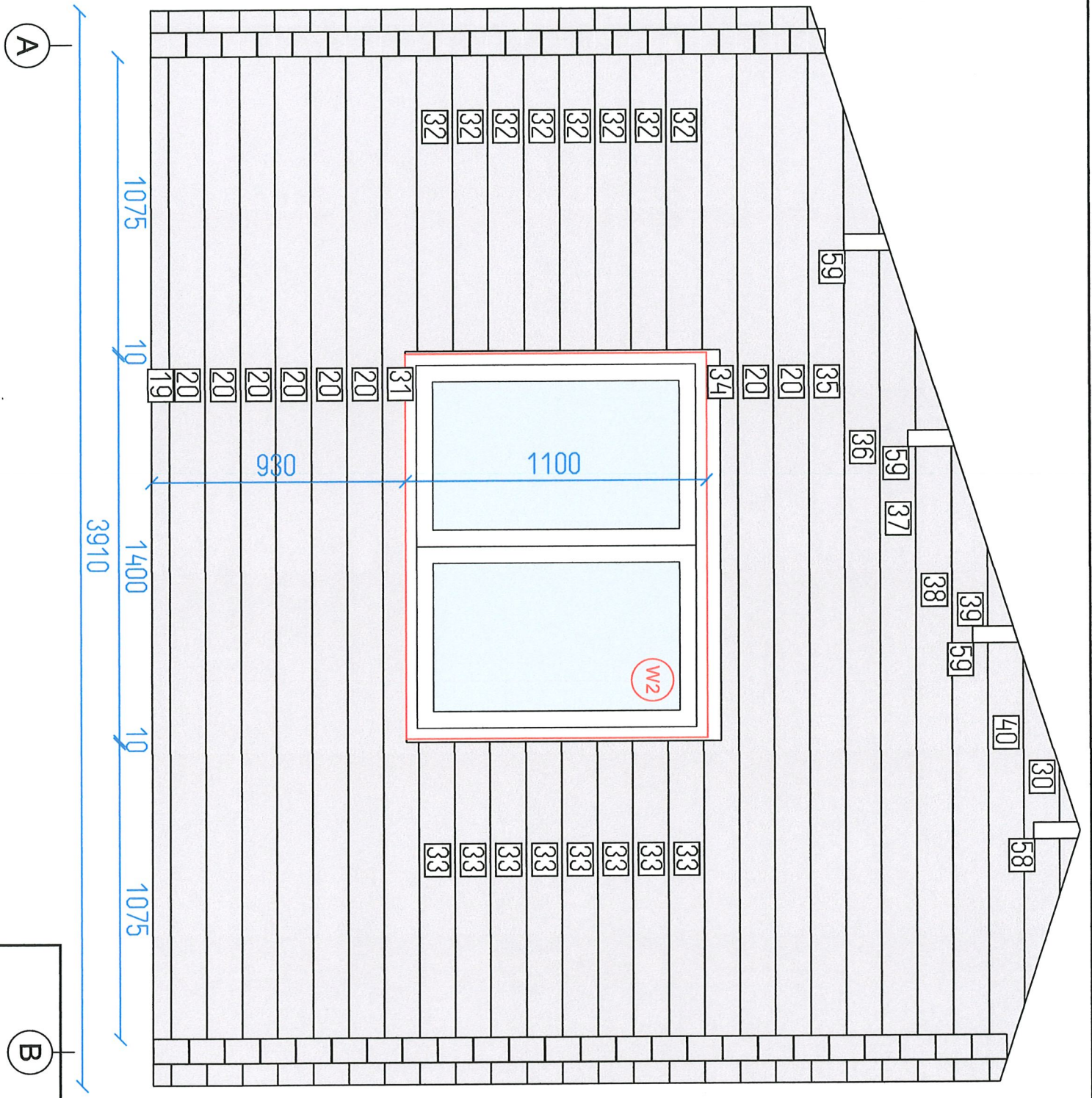


Sam Lewis 90gl 09-06

Wall 3

AND 8 12  
SHEET OF





DETAILS

N	QTY
19	1
20	8
31	1
32	8
33	8
34	1
35	1
36	1
37	1
38	1
39	1
40	1
58	1
59	3

LIST OF ELEMENTS

- 19. Wall 65x90x3910
  - 20. Wall 130x90x3910
  - 31. Wall 130x90x3910
  - 32. Wall 130x90x1245
  - 33. Wall 130x90x1245
  - 34. Wall 130x90x3910
  - 35. Wall 130x90x3910
  - 36. Wall 130x90x3541
  - 37. Wall 130x90x3141
  - 38. Wall 130x90x2741
  - 39. Wall 130x90x2341
  - 40. Wall 130x90x1941
  - 30. Wall 130x90x1262
  - 58. Roof beam 200x70x1590
  - 59. Roof beam 200x70x1590
- Total 11.65 m<sup>2</sup>

Sam Lewis 90gl 09-06

Wall 2

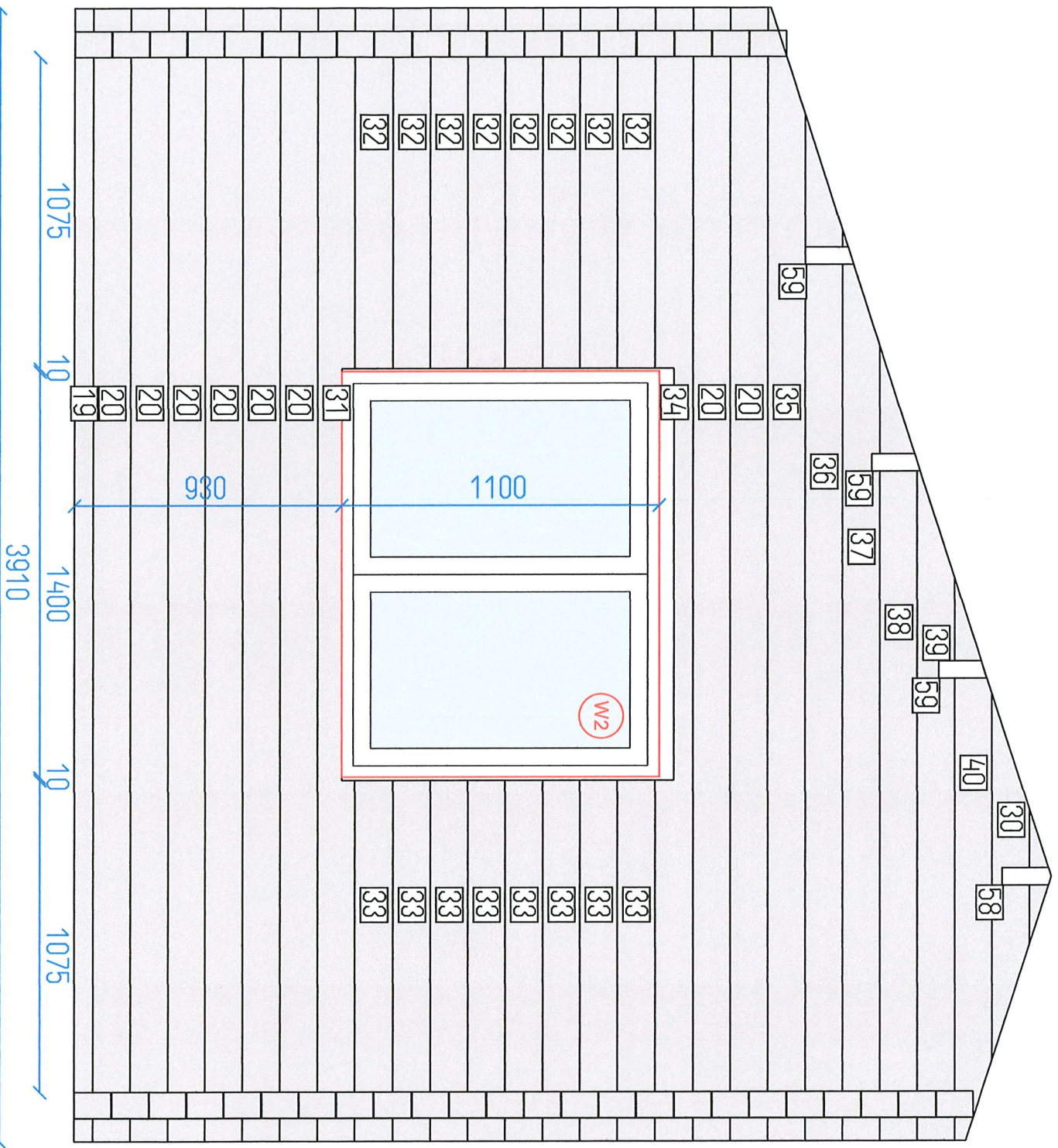
AND 9 12  
SHEET OF

DETAILS

N	QTY
19	1
20	8
31	1
32	8
33	8
34	1
35	1
36	1
37	1
38	1
39	1
40	1
30	1
58	1
59	3

LIST OF ELEMENTS

- 19. Wall 65x90x3910
  - 20. Wall 130x90x3910
  - 31. Wall 130x90x3910
  - 32. Wall 130x90x1245
  - 33. Wall 130x90x3910
  - 34. Wall 130x90x3910
  - 35. Wall 130x90x3541
  - 36. Wall 130x90x3541
  - 37. Wall 130x90x3141
  - 38. Wall 130x90x2741
  - 39. Wall 130x90x2341
  - 40. Wall 130x90x1941
  - 30. Wall 130x90x1262
  - 58. Roof beam 200x70x1590
  - 59. Roof beam 200x70x1590
- Total 11.655 m<sup>2</sup>



W2

1100

930

1075

1400

3910

A

B

Sam Lewis 90gl 09-06

Wall 5

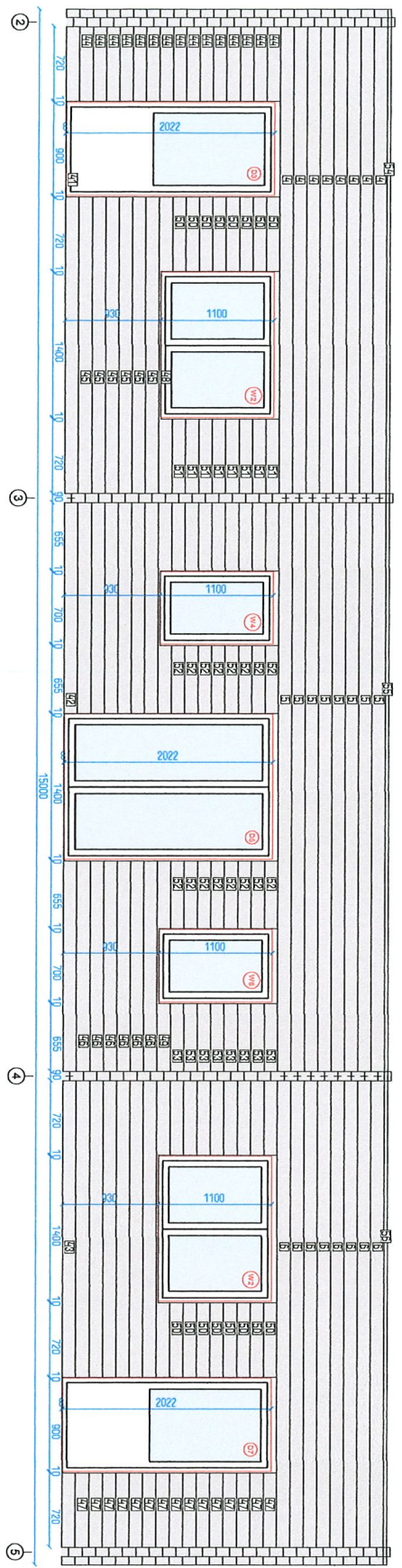
AND 10 12  
SHEET OF

DETAILS

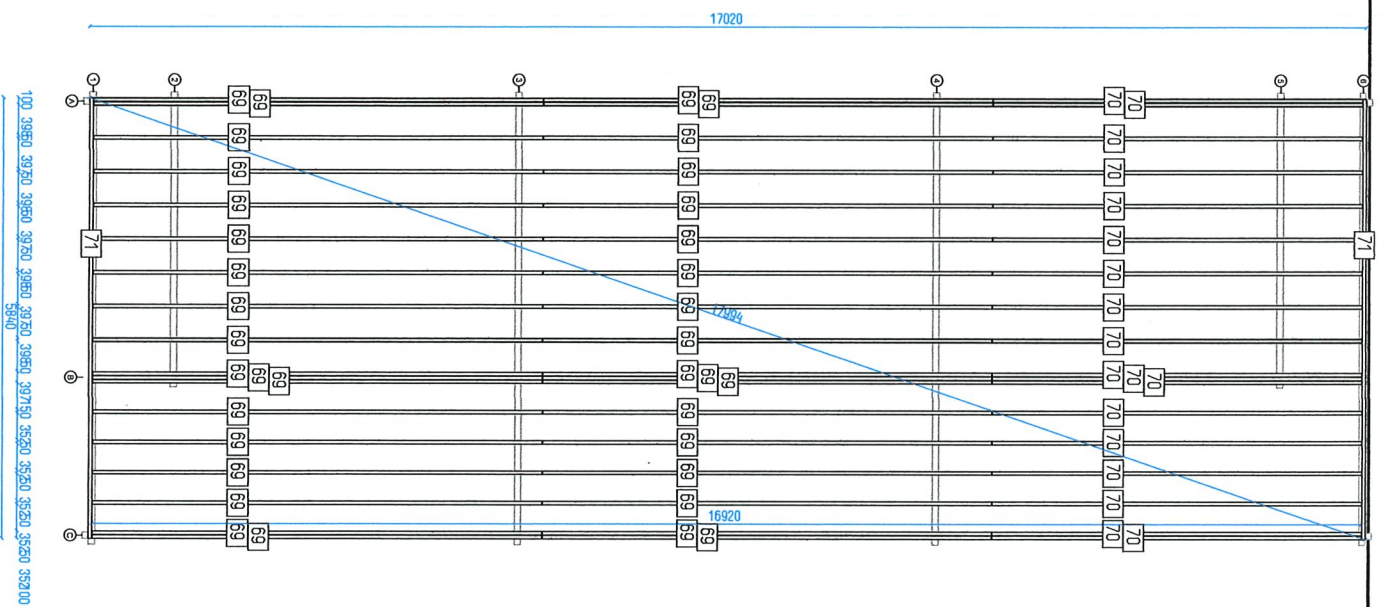
N	QTY
41	1
42	1
43	1
44	15
45	6
46	6
47	15
48	1
49	1
50	16
51	8
52	16
53	8
4	8
5	8
6	8
54	1
55	1
56	1

LIST OF ELEMENTS

- 41. Wall 130x90x4715
  - 42. Wall 130x90x5570
  - 43. Wall 130x90x4715
  - 44. Wall 130x90x890
  - 45. Wall 130x90x4980
  - 46. Wall 130x90x4980
  - 47. Wall 130x90x890
  - 48. Wall 130x90x4980
  - 49. Wall 130x90x4980
  - 50. Wall 130x90x720
  - 51. Wall 130x90x1465
  - 52. Wall 130x90x655
  - 53. Wall 130x90x1465
  - 4. Wall 130x90x4715
  - 5. Wall 130x90x5570
  - 6. Wall 130x90x4715
  - 54. Wall 30x90x4715
  - 55. Wall 30x90x5570
  - 56. Wall 30x90x4715
- Total 36.44 m<sup>2</sup>



Sam Lewis 90gl 09-06



Sam Lewis 90gl 09-06

Base plan

AND  
SHEET  
12  
OF  
12