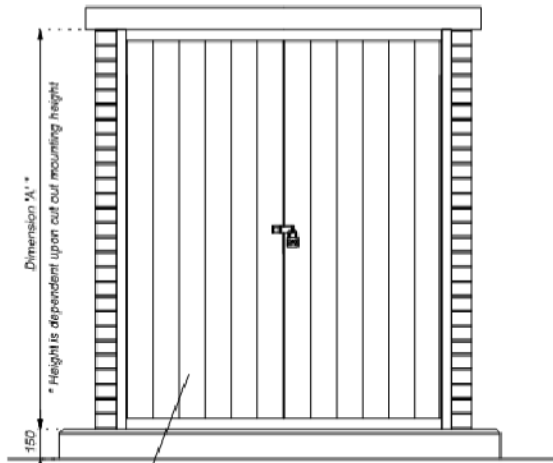
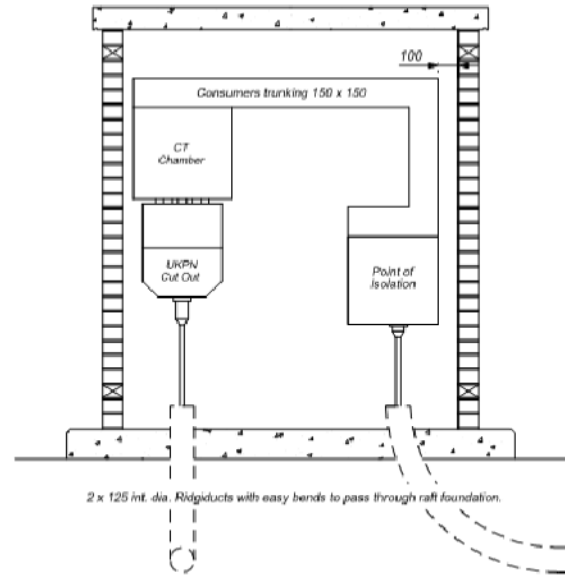


100mm reinforced concrete roof slab sealed with waterproofing compound.

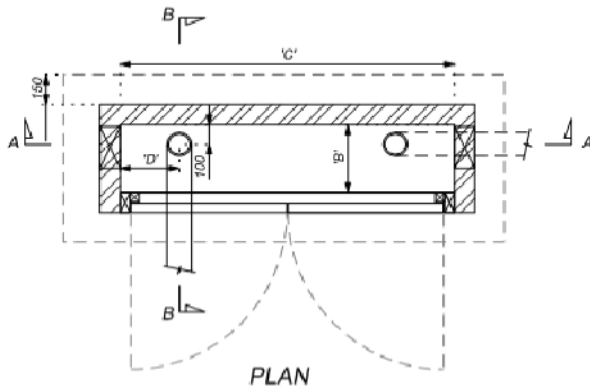


Clear brick opening to receive rebated timber frame & doors. Doors to be braced and framed (25mm min. thickness).

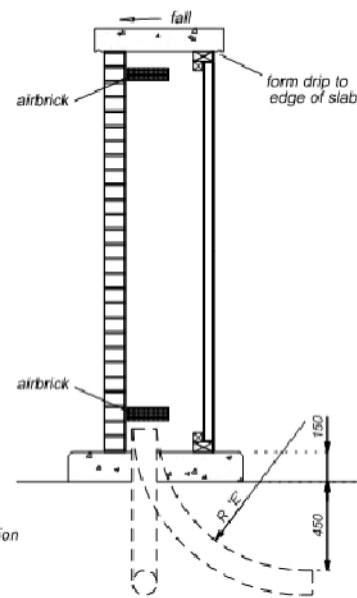
FRONT ELEVATION



SECTION A-A



PLAN



SECTION B-B

- 1) It is important that this compartment be made completely waterproof. Where the structure is to be erected on an unsecured site it is recommended that the doors be hung on butts with concealed hinge pins & secured with a heavy duty padlock and concealed coachbolt fixings.
- 2) The switchgear arrangement shown is typical & may be varied to suit the customers switchgear requirements. The duct entry positions may be varied to suit depending upon site conditions and the location of cable mains.
- 3) It is recommended that high impact plastic trunking be installed for TBS (Temporary Builders Service) installations.
- 4) An earthing pin will be required for TBS installations.
- 5) An approved insulated CT chamber to be supplied & installed by UK Power Networks.
- 6) RCD and main isolator to be installed for TBS installations.
- 7) Plinth to sit on suitable sub-base.

**Special note:**

Where there is a need to comply with the "Petroleum Consolidation Act 1928" the minimum height of the company's equipment will be increased to ensure that any possible source of ignition is a minimum of 1200 above floor level.

REQUIRED DIMENSIONS

	A*	B	C	D	E	Duct Size
200-600A 3-phase services	2000	1000	2000	425	1000 min.	150

NTS

All dimensions in millimetres

P01   PLANNING	21/07/21   ST   MC
Project: Kent Innovation Centre Millenium Way Westwood Broadstairs CT10 2QQ	Title: UKPN service termination cabinet
Client: Thanet District Council	Drawing Number: KIC-IWD-XX-XX-DR-A-2520
Status: S2	Purpose of Issue: PLANNING
Revision: P01	

**Ingleton Wood**  
Property and Construction Consultants  
Issuing office: Colchester  
T: 01206 224270  
www.ingletonwood.co.uk

Vision, form and function