

CR13-3  
CONSERVATION ROOFLIGHT



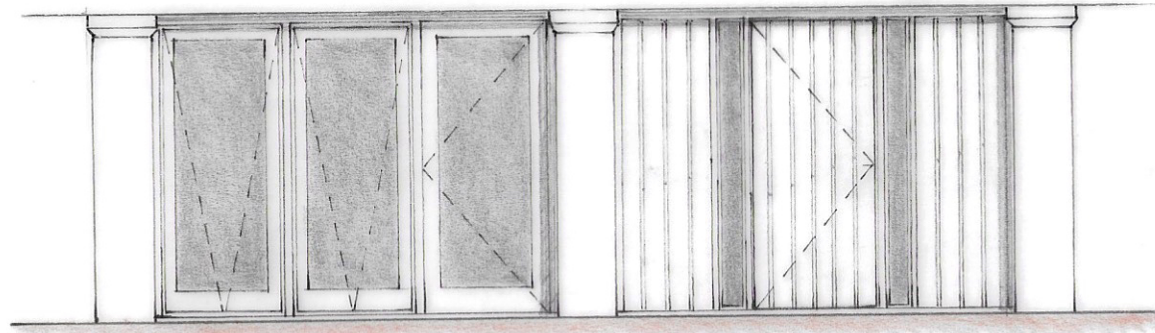
CR10-2  
CONSERVATION ROOFLIGHT

CR13-3  
CONSERVATION ROOFLIGHT



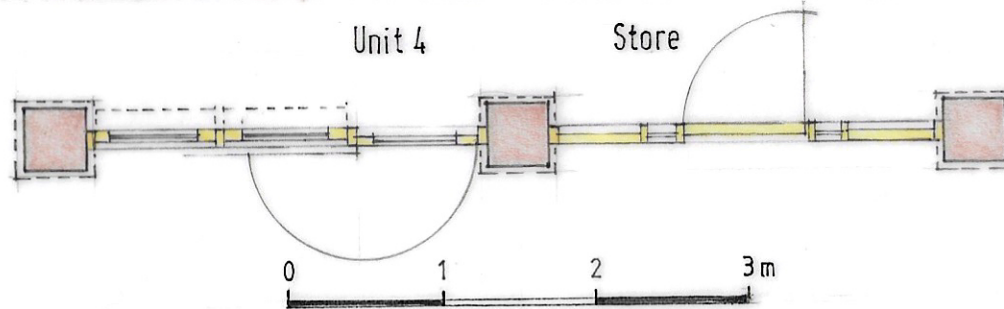
S O U T H E A S T

N O R T H W E S T



Unit 4

Store



Tyack Architects Ltd  
The Mann Institute, Oxford Street  
Moreton-in-Marsh  
Gloucestershire, GL56 0LA  
t: 01608 650 490  
f: 01608 651 863  
e: mail@tyackarchitects.com  
w: tyackarchitects.com

date June 2021

drawn

checked

title Elevations & Facade study

Broadmore Farm  
Sherbourne

Frank Sekula

project

scale 1:100 & 1:50

number 2952.06