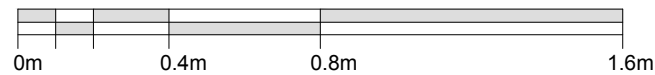
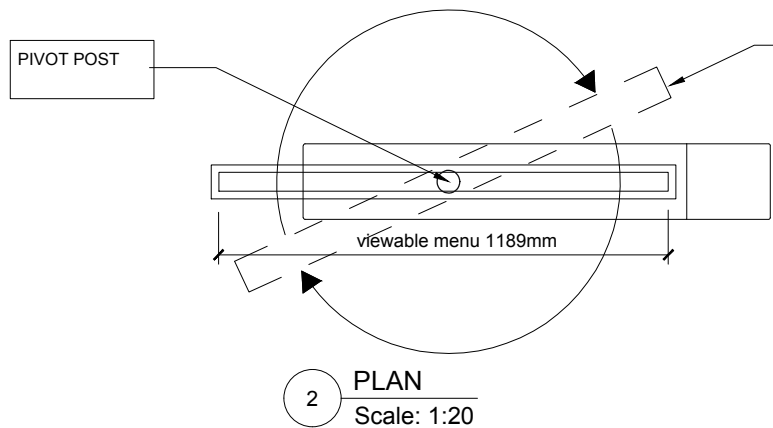


SCALE BAR 1:20



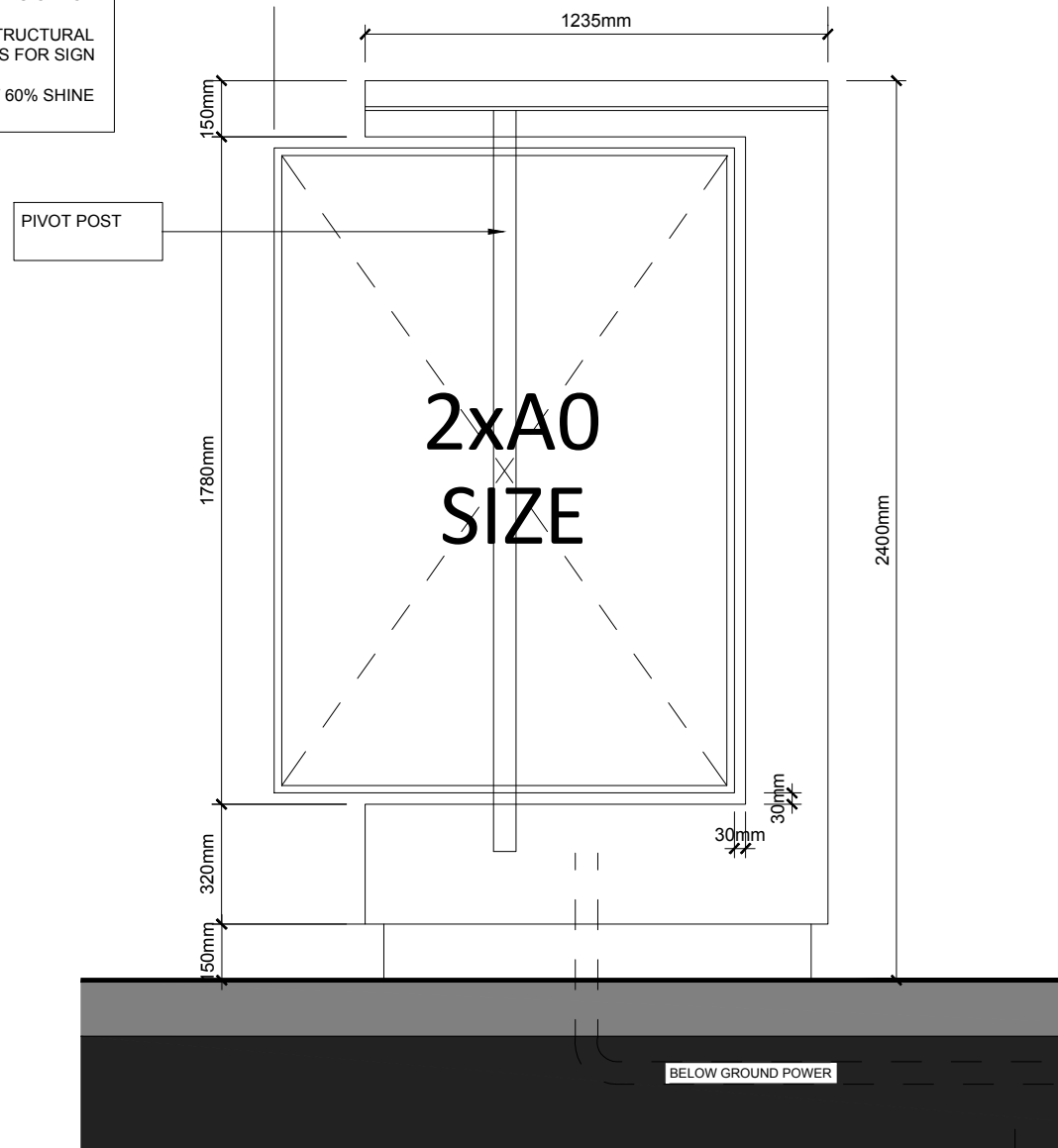
1 TOP PLAN  
Scale: 1:20



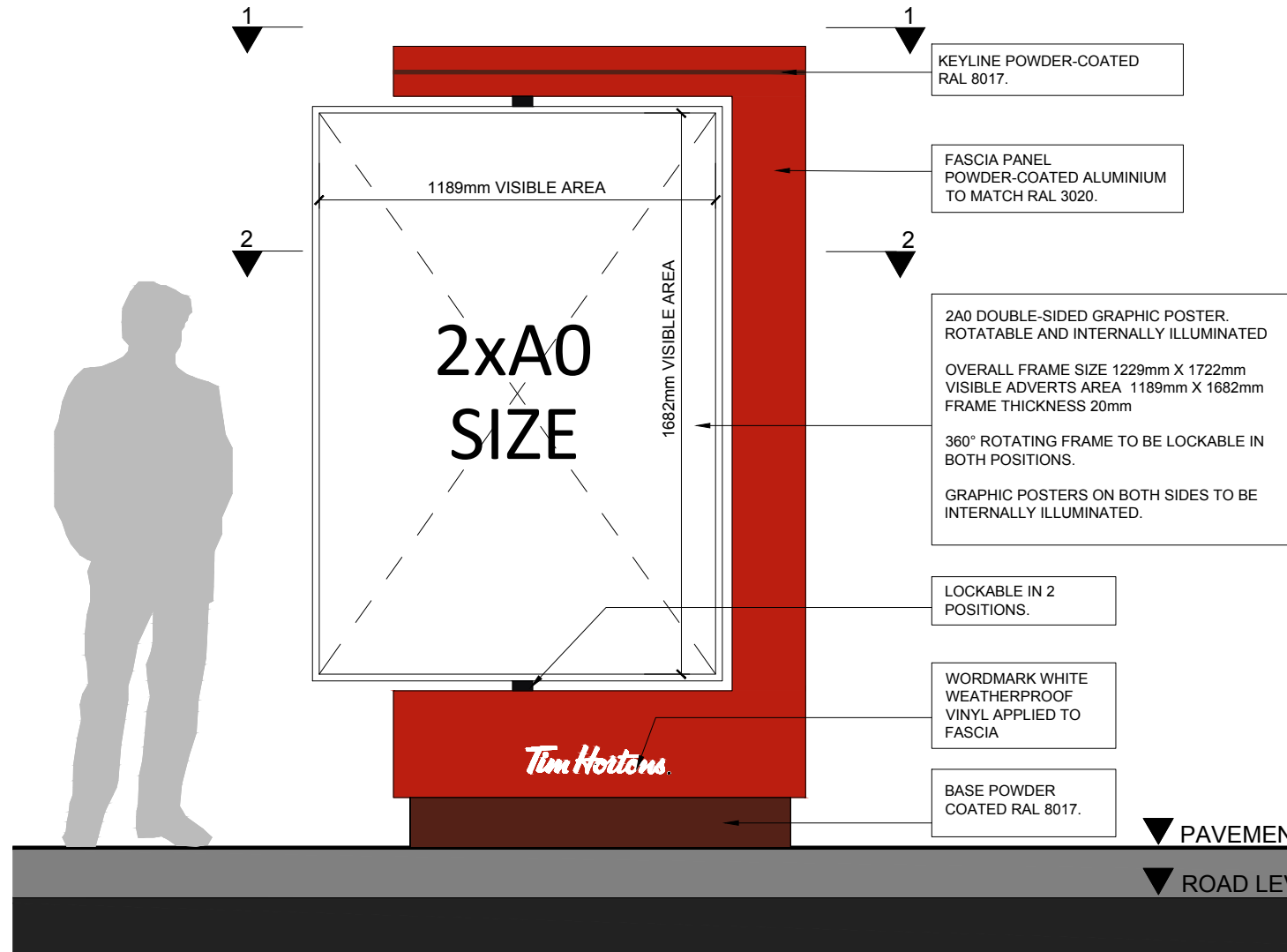
2 PLAN  
Scale: 1:20

**GENERAL NOTES**  
 REQUIRES POWER FOR INTERNAL LIGHTING  
 LUMINANCE TO BE 500Cd/m2 WITHIN SIGNAGE  
 CONTRACTOR TO ADVISE ON STRUCTURAL REQUIREMENTS FOR SIGN  
 ALL POWDER-COATING TO BE AT 60% SHINE

2A0 DOUBLE-SIDED GRAPHIC POSTER. ROTATABLE AND INTERNALLY ILLUMINATED  
 OVERALL FRAME SIZE 1229mm X 1722mm  
 VISIBLE ADVERTS AREA 1189mm X 1682mm  
 FRAME THICKNESS 20mm  
 360° ROTATING FRAME TO BE LOCKABLE IN BOTH POSITIONS.  
 GRAPHIC POSTERS ON BOTH SIDES TO BE INTERNALLY ILLUMINATED.



4 FRONT ELEVATION  
Scale: 1:20



3 FRONT ELEVATION (COLOUR)  
Scale: 1:20

IMPORTANT:

- 1) ALL DIMENSIONS AND SIZES TO BE CHECKED BY THE RELEVANT CONTRACTOR OR SUBCONTRACTOR ON SITE PRIOR TO THE COMMENCEMENT OF WORKS AND ANY DISCREPANCIES REPORTED TO THE DESIGNER.
- 2) COPYRIGHT: THIS DRAWING IS COPYRIGHT OF BEYOND COMMUNICATIONS LTD AND MUST NOT BE REPRODUCED, ALTERED OR PASSED TO ANY THIRD PARTY WITHOUT PRIOR WRITTEN CONSENT.

**SIGNAGE QUANTITIES**

| #      | NAME                  | QTY: |
|--------|-----------------------|------|
| DTS 1A | TOTEM                 | X1   |
| DTS 3A | HEIGHT LIMITER 3.6m   | X1   |
| DTS 4  | ROTATING LEADER BOARD | X1   |
| DTS 5  | ORDER POINT           | X1   |
| DTS 6  | MENU BOARD            | X1   |

| REV | DATE | DESCRIPTION | NAME |
|-----|------|-------------|------|
|-----|------|-------------|------|

Status: **PLANNING**

**Beyond**  
LONDON  
 4a KING STREET STUDIOS, LONDON, W6 0QA  
 WWW.BEYONDLONDON.COM  
 TEL: 020 8846 3880

Client:  
**Tim Hortons.**

Project Name:  
**TEESSIDE DRIVE THRU SIGNAGE**

Format:  
**NON-STANDARD DRIVE-THRU**

Title:  
**DTS 4 - ROTATING LEADER BOARD**

Site Address:  
**HAYDOCK PARK ROAD  
TEESSIDE RETAIL PARK  
STOCKTON-ON-TEES  
TS17 7BG**

Drawing No:  
**7416 (ADV) DTS-4**

Rev:  
-

Date: 17/05/2021 Scale: 1:20 @A3

Drawn by:  
SU

Checked:  
MC

PAVEMENT LEVEL

ROAD LEVEL

SALOON TYPE VEHICLE