

THIS DRAWING IS PROPERTY OF THE NOVO DESIGN HOUSE LTD.

Copyright is reserved by them and the drawing issued on condition that it is not copied either wholly or part without the consent in writing of Novo Design.

Figured dimensions to take preference over those scaled. All dimensions to be checked on site before commencement of any work or shop drawings. This drawing is to be read in conjunction with the specification when existing.

The information on this drawing is to be read in conjunction with the bill of quantities / specification and any other related drawings. The contractor must ensure that all items detailed on this drawing are included when tendering even if not covered by the specification. NOVO DESIGN must be advised in writing of all such items. Any discrepancies between drawings and specification must be resolved with NOVO DESIGN prior to commencing works.

All structural work must be carried out in accordance with the drawing and calculations provided by the appointed Structural Engineer. All structural work must be inspected at regular and relevant intervals by the Structural Engineer and Building Inspector. If there are any changes or alterations these must have written approval.

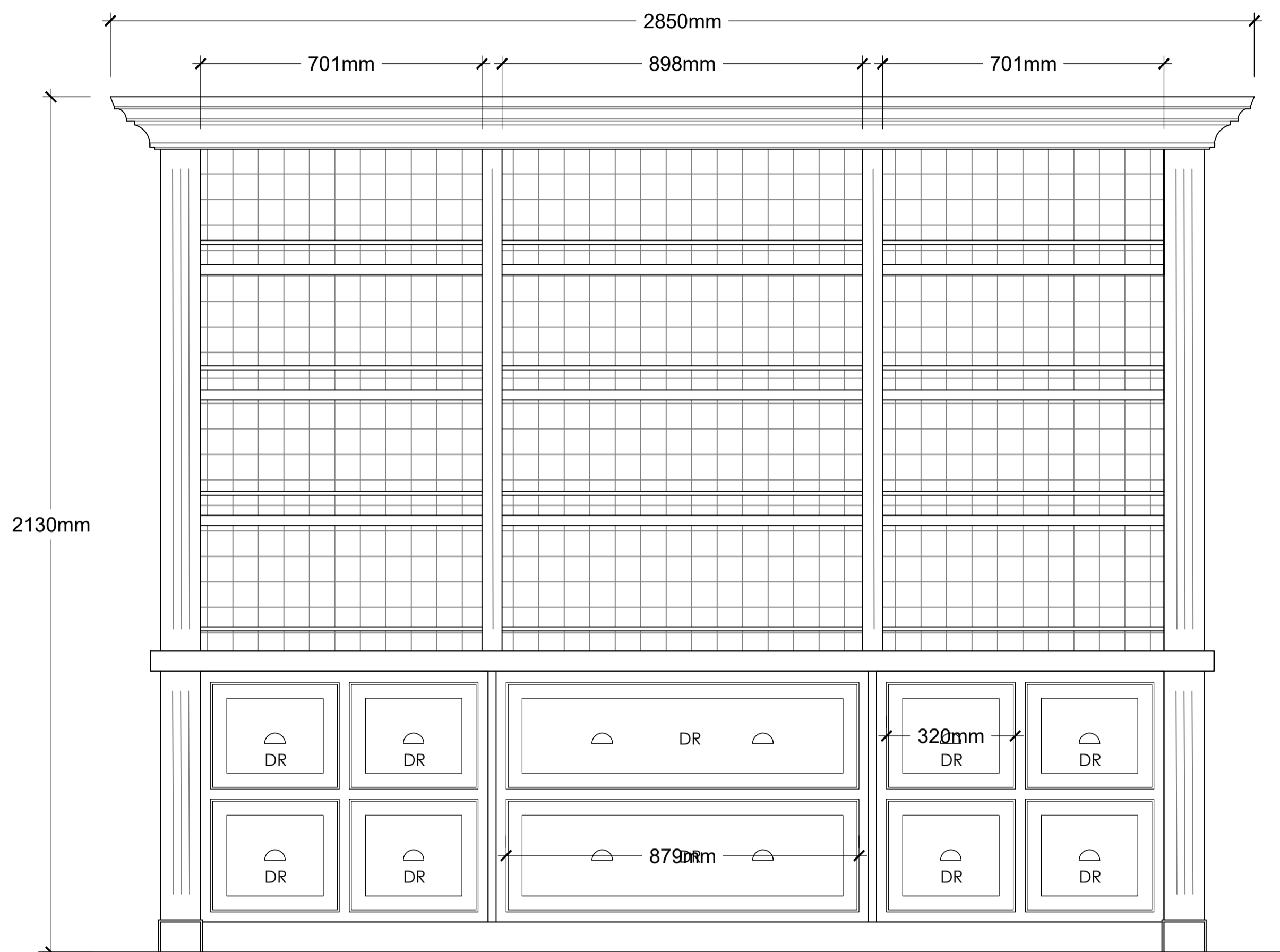
All works are to be carried out in accordance with all Local Authority, British & European Standards. If in doubt, it is the responsibility of the contractor to contact all relevant parties.

Due to the new guidance of CDM 2015, NOVO DESIGN wont proceed with any design or drawing work until the client is aware of their responsibility obligated to them under these regulations.

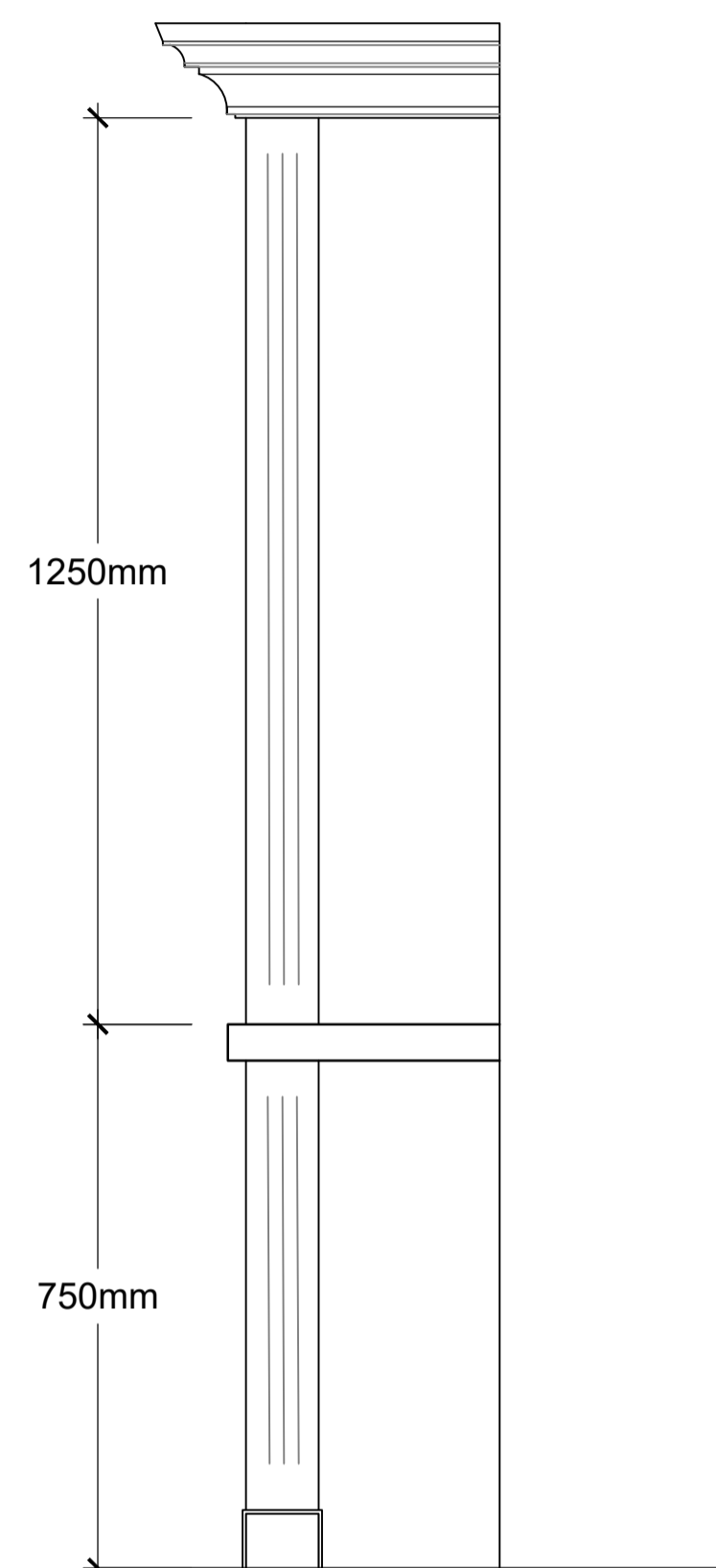
EDA	NA
EXISTING INTERNAL COVERS	NA
EXISTING EXTERNAL COVERS	NA
PROPOSED INTERNAL COVERS	5
PROPOSED EXTERNAL COVERS	4

**REVISIONS**

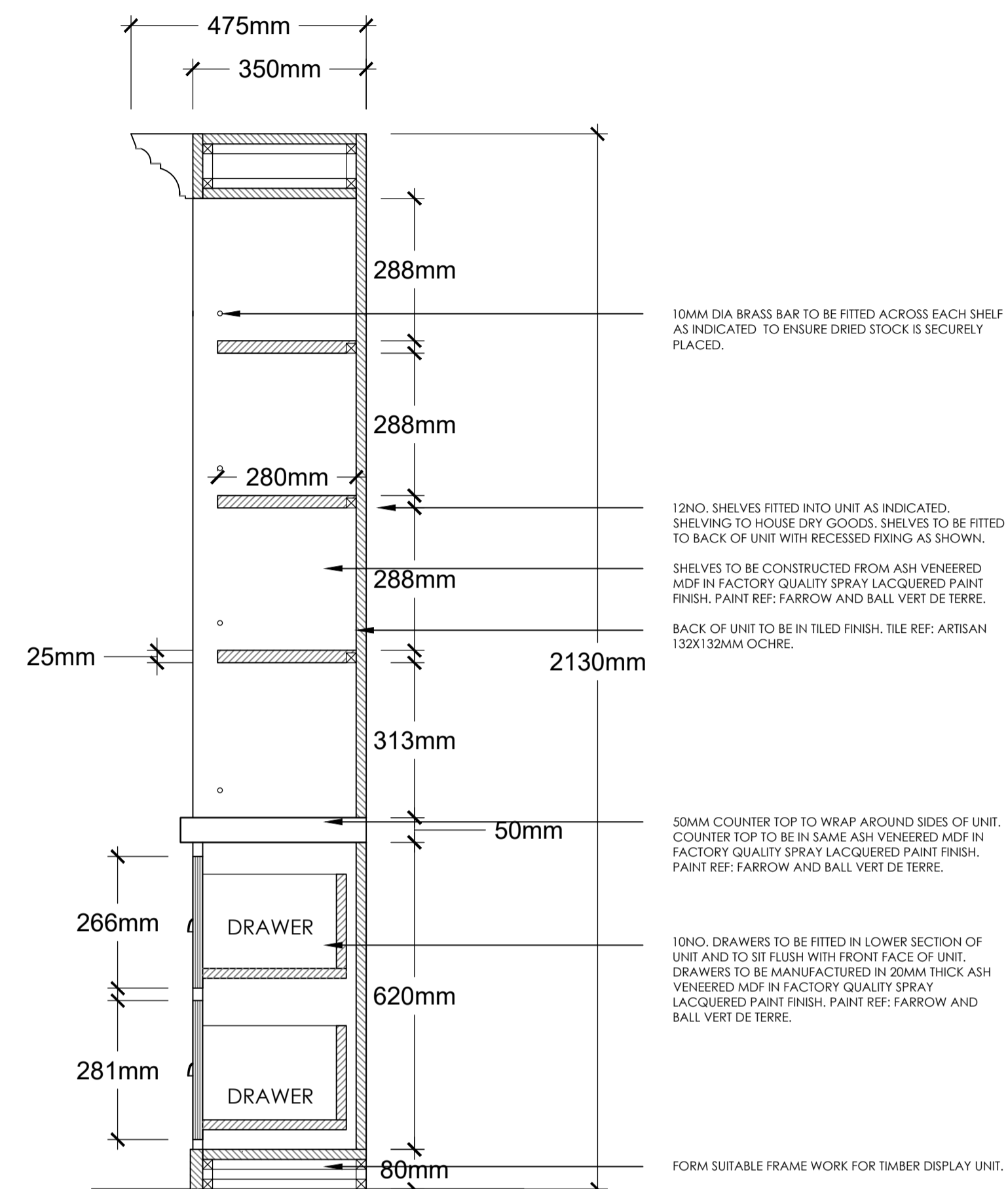
REV	DATE	COMMENT
/	09.07.2021	ISSUE DRAWING
A	15.07.2021	BACK WALL DETAIL ADDED



**DRIED STOCK DISPLAY**  
FRONT ELEVATION  
SCALE 1:10



**DRIED STOCK DISPLAY**  
SIDE ELEVATION  
SCALE 1:10



**DRIED STOCK DISPLAY**  
SECTION  
SCALE 1:10

10MM DIA BRASS BAR TO BE FITTED ACROSS EACH SHELF AS INDICATED TO ENSURE DRIED STOCK IS SECURELY PLACED.

12NO. SHELVES FITTED INTO UNIT AS INDICATED. SHELVING TO HOUSE DRY GOODS. SHELVES TO BE FITTED TO BACK OF UNIT WITH RECESSED FIXING AS SHOWN.

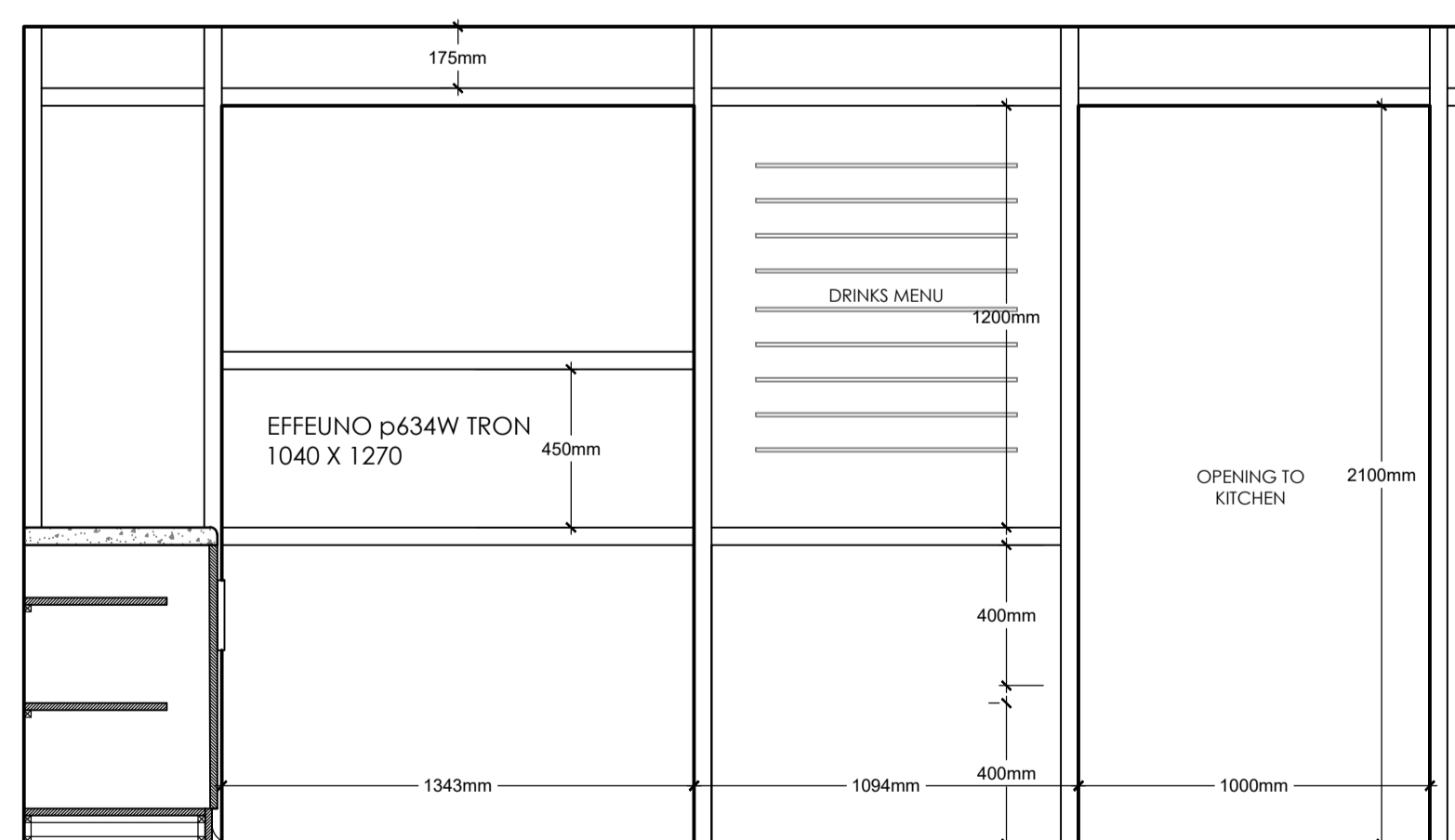
SHELVES TO BE CONSTRUCTED FROM ASH VENEERED MDF IN FACTORY QUALITY SPRAY LACQUERED PAINT FINISH. PAINT REF: FARROW AND BALL VERT DE TERRE.

BACK OF UNIT TO BE IN TILED FINISH. TILE REF: ARTISAN 132X132MM OCHRE.

50MM COUNTER TOP TO WRAP AROUND SIDES OF UNIT. COUNTER TOP TO BE IN SAME ASH VENEERED MDF IN FACTORY QUALITY SPRAY LACQUERED PAINT FINISH. PAINT REF: FARROW AND BALL VERT DE TERRE.

10NO. DRAWERS TO BE FITTED IN LOWER SECTION OF UNIT AND TO SIT FLUSH WITH FRONT FACE OF UNIT. DRAWERS TO BE MANUFACTURED IN 20MM THICK ASH VENEERED MDF IN FACTORY QUALITY SPRAY LACQUERED PAINT FINISH. PAINT REF: FARROW AND BALL VERT DE TERRE.

FORM SUITABLE FRAME WORK FOR TIMBER DISPLAY UNIT.

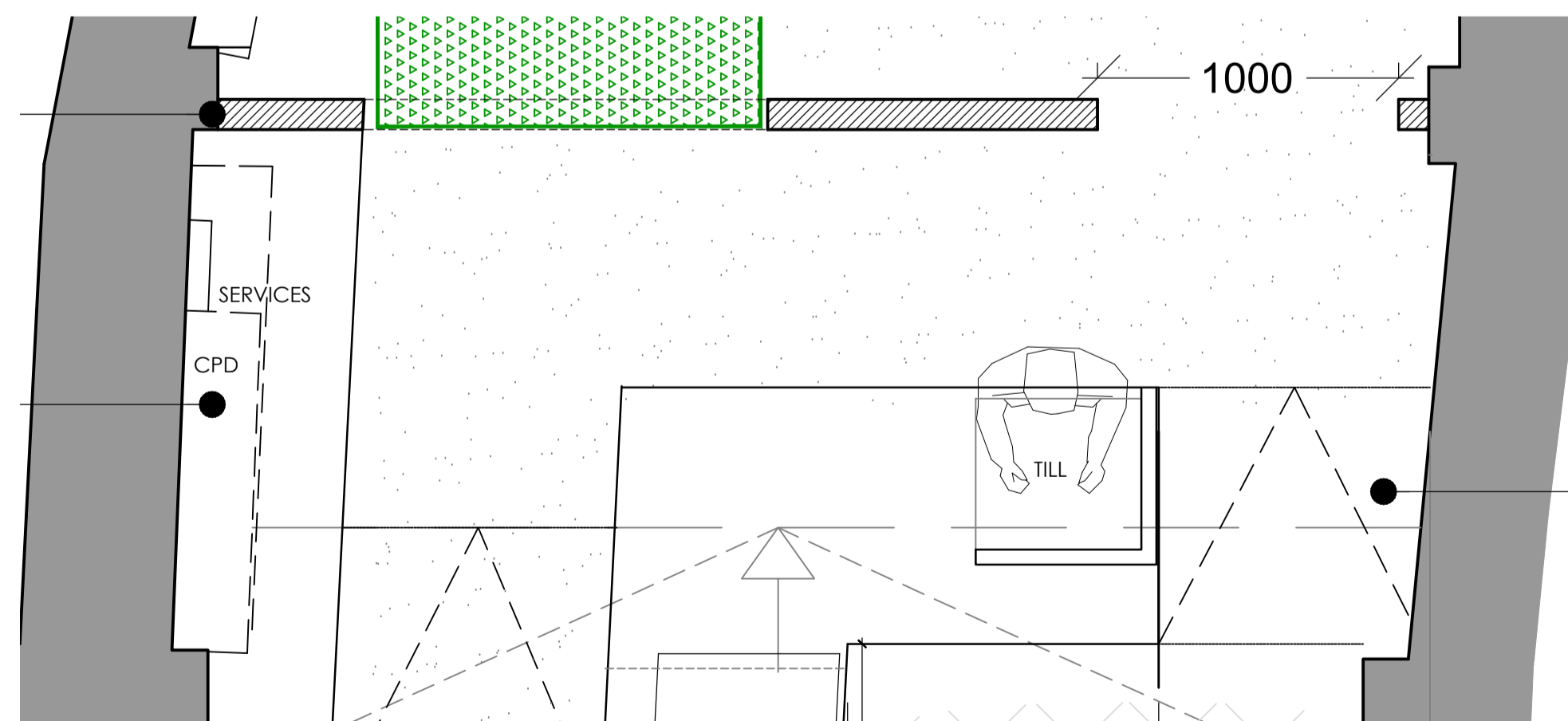


**BACK WALL DETAIL**  
ELEVATION DD  
SCALE 1:20

TIMBER BATTENS FRAMING THE OPENINGS AS SHOWN. REFER TO REFERENCE IMAGE AND PAINT SPECIFICATION TABLE FOR PAINT COLOUR.



REFERENCE IMAGE



**BACK WALL DETAIL**  
PLAN  
SCALE 1:20



80 TAMWORTH ROAD, ASHBY DE LA ZOUCH, LEICESTERSHIRE, LE65 2PX  
WWW.NOVO-DESIGN.COM  
E-INFO@NOVO-DESIGN.COM  
T-07808794210

Client  
**ALEX PALUZZI**  
ADDRESS  
80 HIGH STREET, YARM, STOCKTON ON TEES.

Drawing Title  
**JOINERY DETAILS - SHEET 3**

Scale  
**1:10 & 1:20 @ A1**

Date <b>09.07.21</b>	Drawing No <b>1293 - 06</b>	Revision <b>A</b>
Drawn By <b>RG</b>		