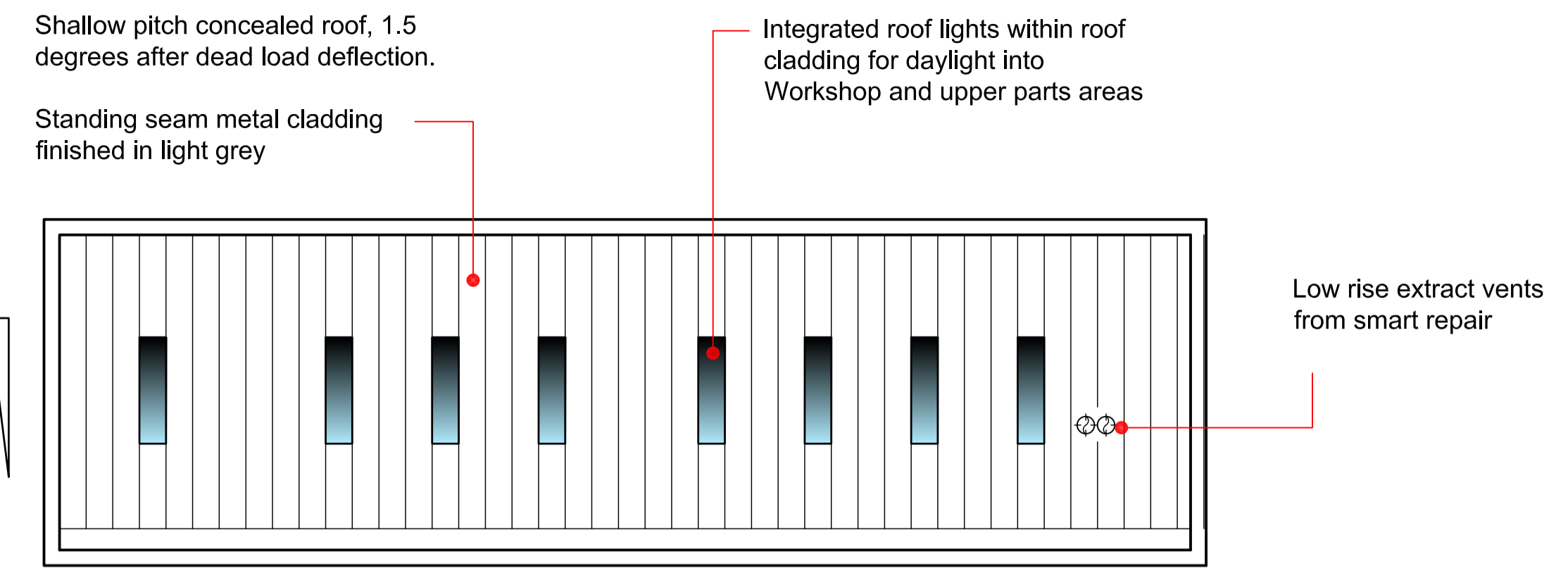
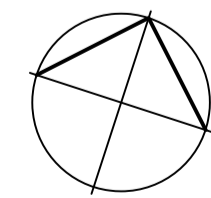
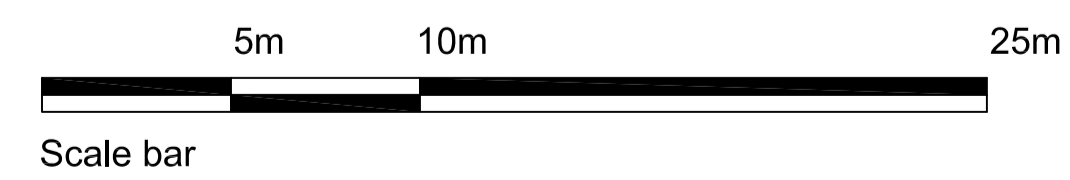
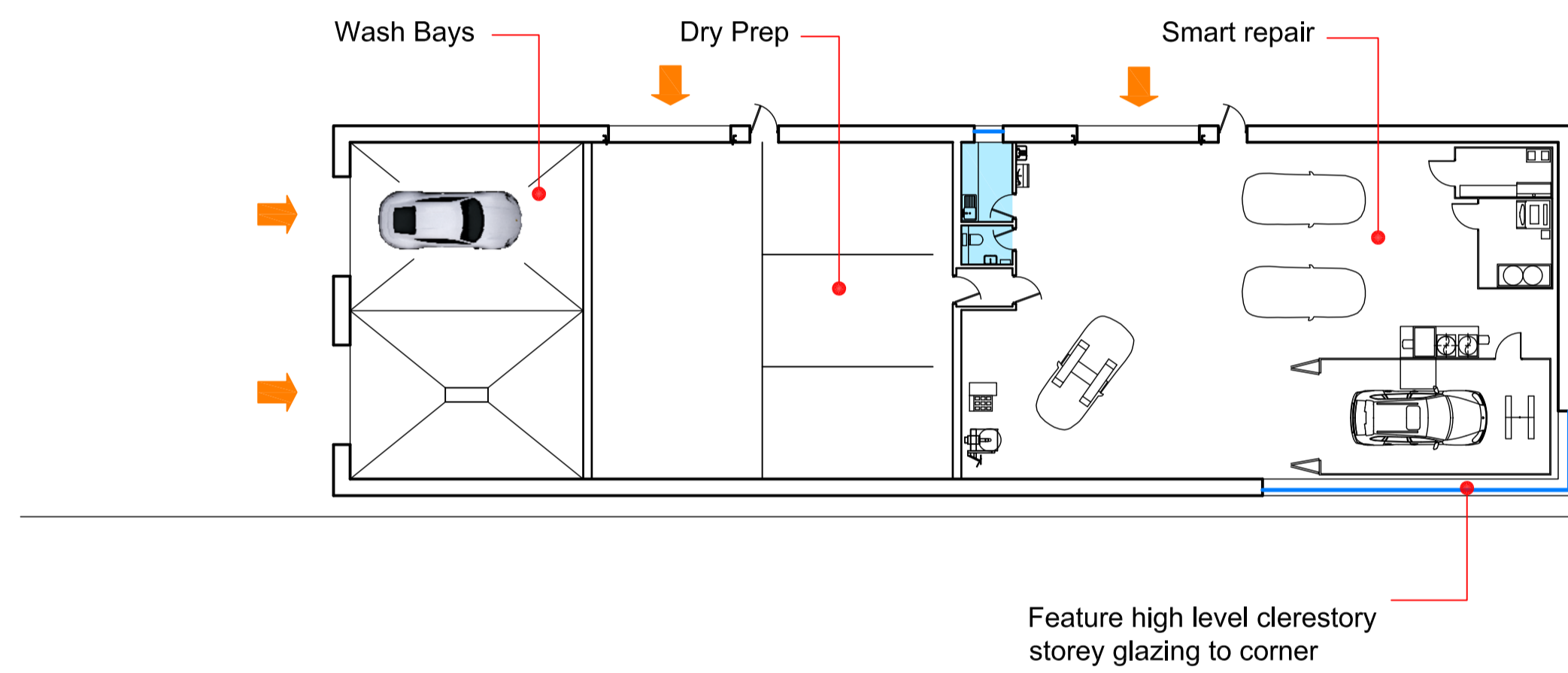


PORSCHE CENTRE ROOF PLAN



PREPARATION BUILDING ROOF PLAN



PREPARATION BUILDING GA PLAN

Project
 PORSCHE CENTRE HIGH WYCOMBE
 NEW PORSCHE CENTRE

Axis 3 Design

architectural design and services

Unit 10 Athena Court
 Athena Drive
 Tachbrook Park
 Warwick CV34 6RT
 Telephone : 01926 833570

Drawing
 PORSCHE ROOF PLAN AND PREP PLANS

Scale	Date	Drawn
1:200@A1	28/07/21	KJC
Job No.	Drawing No.	Revision
P280	07	

Planning