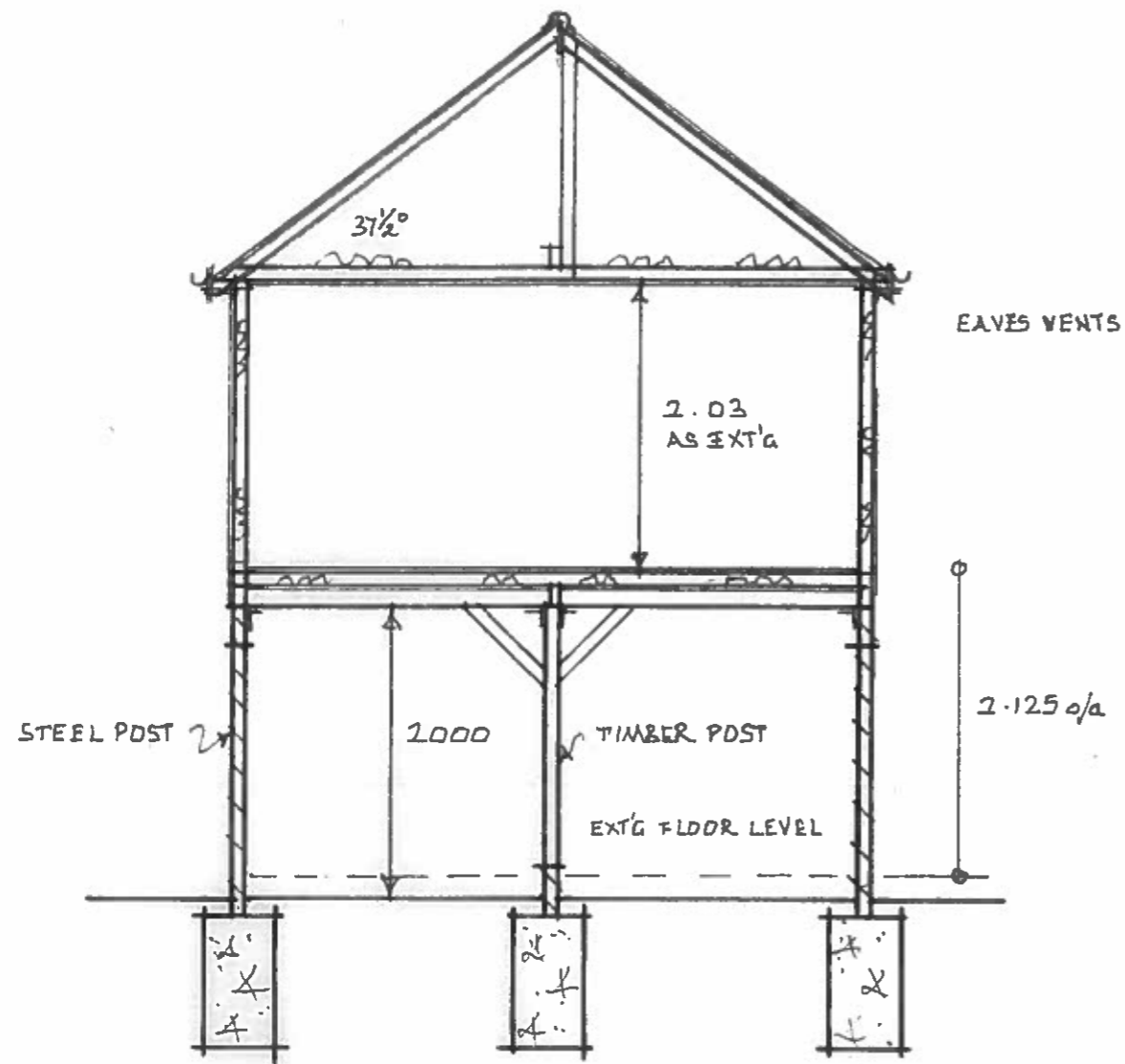


Scales: 1:5 & 1:50.



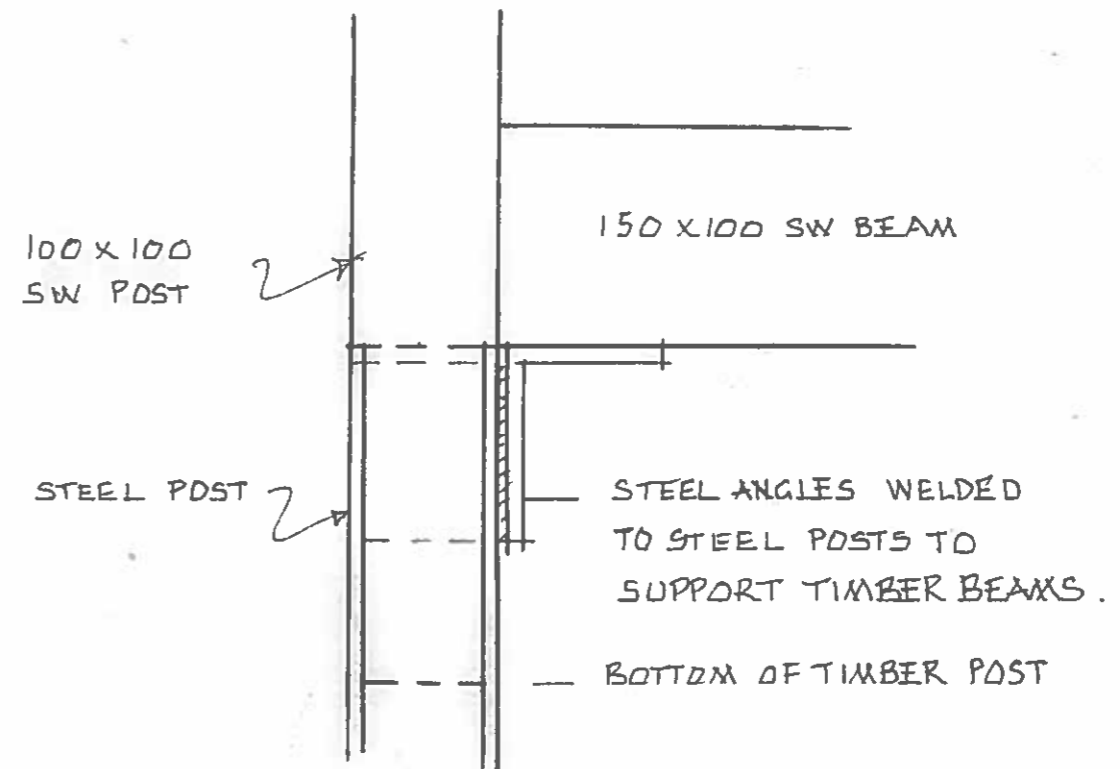
Section.

FIRST FLOOR EXTENSION.

LONG PATH COTTAGE.

AINGERS GREEN. GT. BENTLEY. FOR MR. & MRS. I. PERRY.

May 2021



150x100 SW BEAM

STEEL ANGLES

150x100 SW BEAM

CORNER POSTS.