

THE BRITISH FLAG - EXTERNAL SIGNAGE

3250 mm AGL

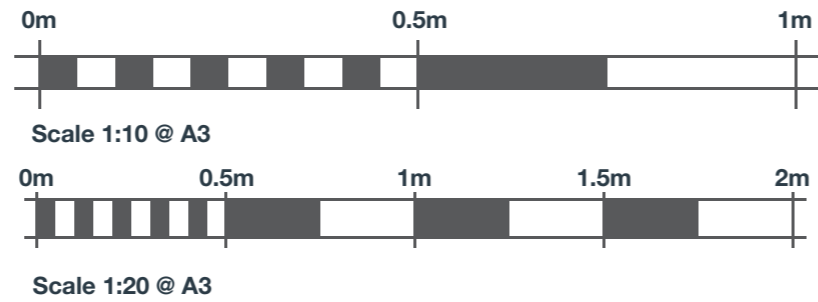
ITEM 01A & 01B (Qty 02)

Double sided pictorial sign to existing gibbet

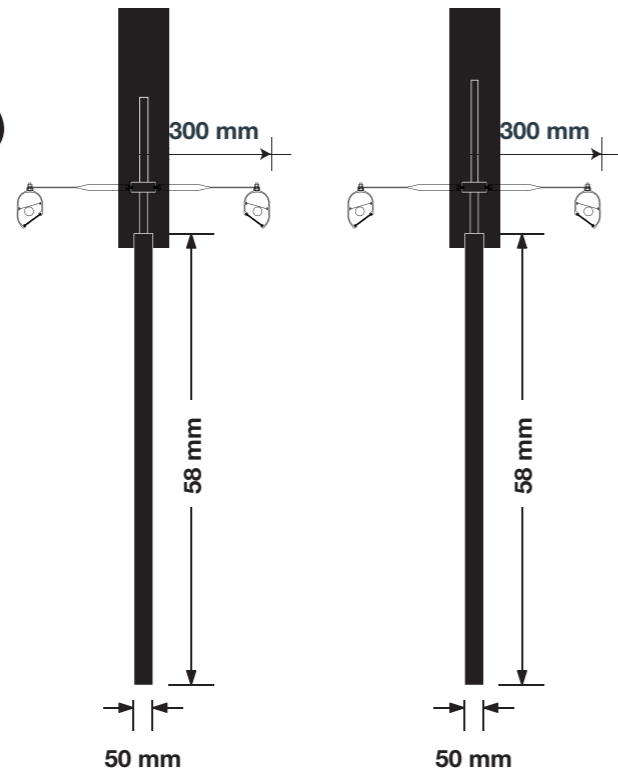
Featuring:

- Shaped timber panel finished Ral 5004
- Applied vinyl text.
- 2No. Trough Lights.

Scale 1:20



01A FRONT ELEVATION



01B SIDE ELEVATION

3225 mm AGL

ITEM 02 (Qty 01)

Shaped nameboard/Individual Housename Letters

Featuring:

- Shaped timber panel finished Ral 5004
- 19mm MDF Letters
- Trough Light

Scale 1:20



1185 mm AGL

ITEM 03 (Qty 01)

Signwritten amenity text

Featuring:

- Signwriting

Scale 1:20



1220 mm AGL

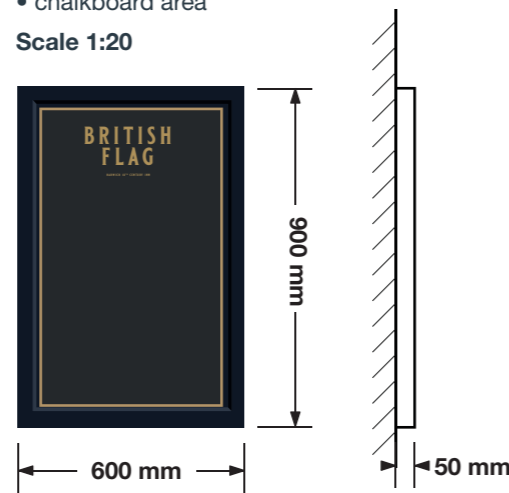
ITEM 04 (Qty 01)

Single sided chalk board.

Featuring:

- 3 mm Aluminium panel finished Ral 5004
- 32 mm Bullnose trim finished Ral 5004
- chalkboard area

Scale 1:20



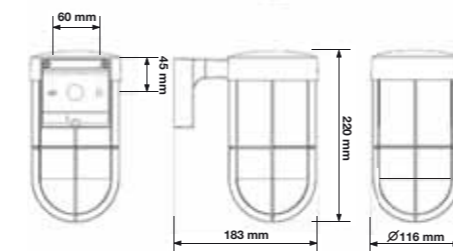
2120 mm AGL

ITEM 05A, 05B & 05C (Qty 03)

Brass Wall Lights



Scale 1:10



5200 mm AGL

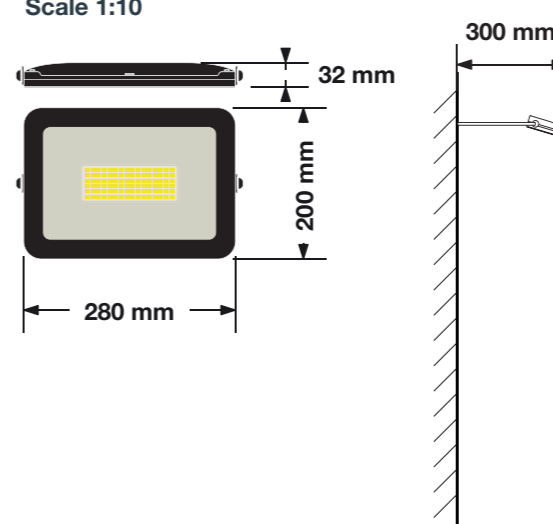
ITEM 06A & 06B (Qty 02)

LED Flood Lights

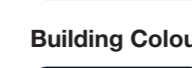
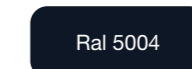
Featuring:

- 2No 50W LED Slimline floodlights on a extended bracket with a warm white illumination.

Scale 1:10



Sign Colour



Brand Typefaces

Primary : Blackriver Bold

Secondary : Blackriver Bold