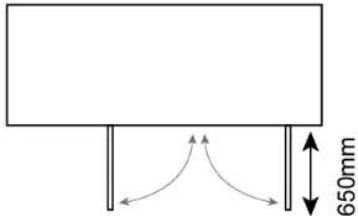




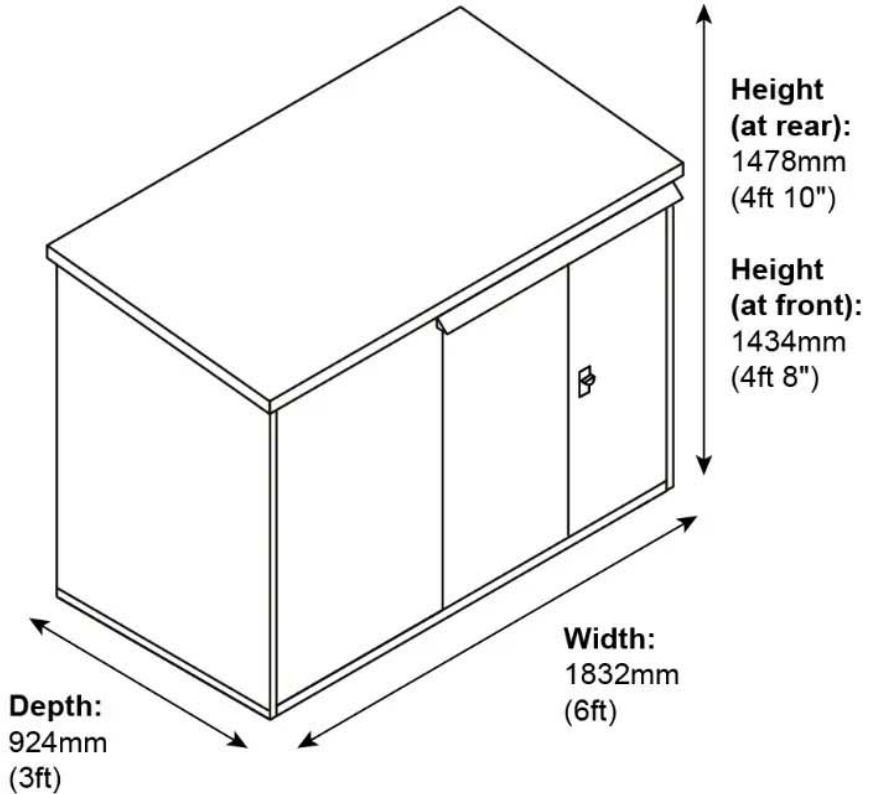
## Insurance Approved Bike Storage - Dimensions

### ANNEXE (HIGH SECURITY) BIKE SHED x3 EXTERNAL MEASUREMENTS

**Weight:**  
138kg (21.7 stone)  
**Door Aperture:**  
1180mm (3ft 10") x  
1140mm (3ft 9")

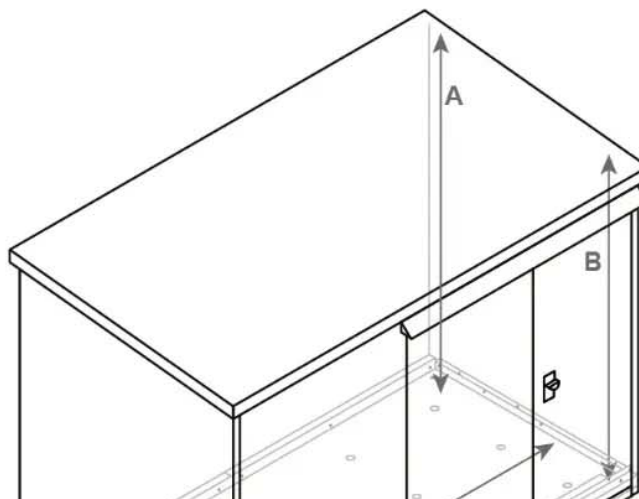


**Door Clearance**  
650mm (2ft 1")

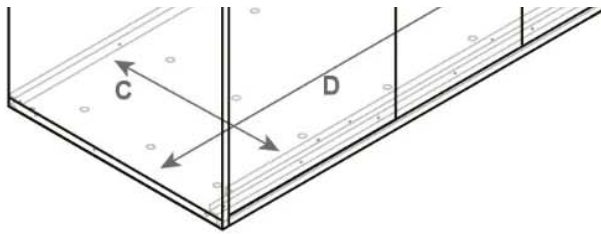


### ANNEXE (HIGH SECURITY) BIKE SHED x3 INTERNAL MEASUREMENTS

**A. Internal Height (at rear):**  
1440mm (4ft 8")  
**B. Internal Height (at front):**  
1335mm (4ft 4")  
**C. Internal Depth:**  
810mm (2ft 7")  
**D. Internal Width:**  
1725mm (5ft 7")

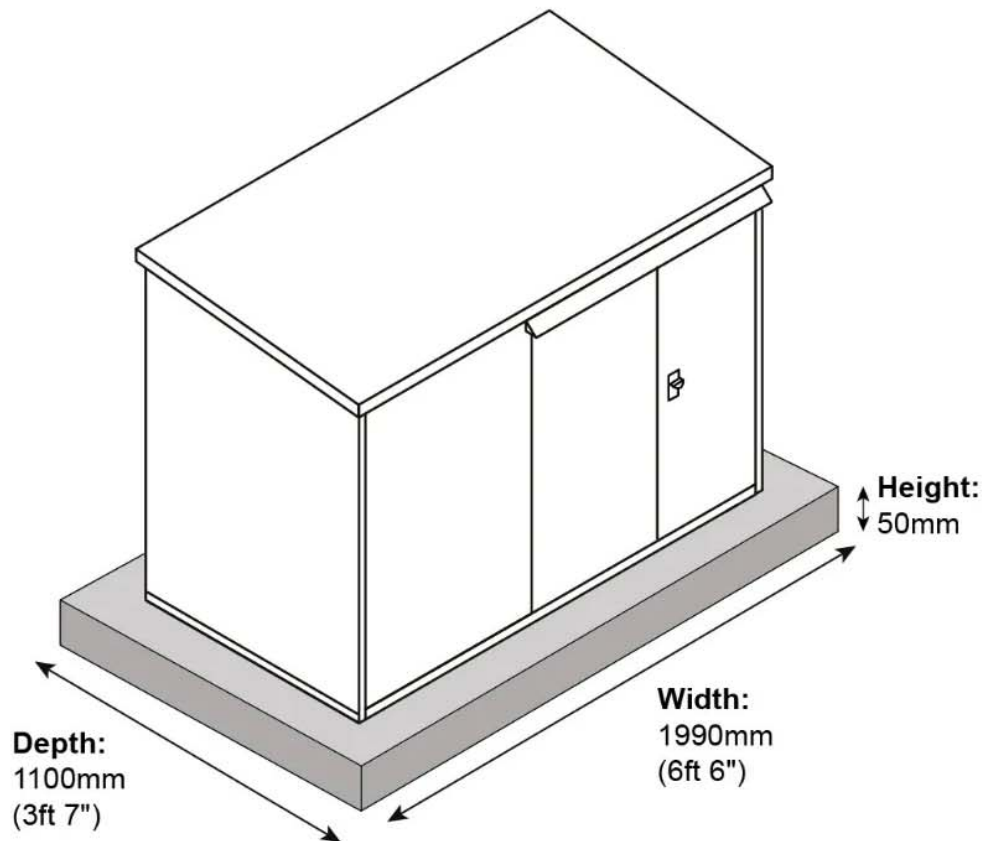


\*Please note, if the optional wooden subfloor is selected with this product the internal height measurement will decrease by approximately 50mm



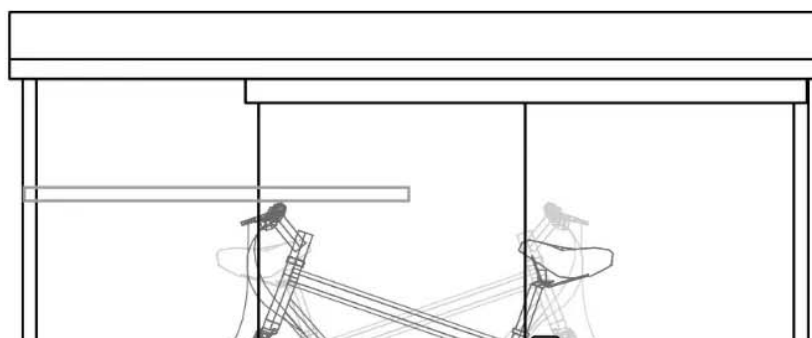
### ANNEXE (HIGH SECURITY) BIKE SHED x3 RECOMMENDED BASE SIZE

**Base Size:**  
1990mm (6ft 6") x  
1100mm (3ft 7")  
**Base Depth:**  
Min. 50mm  
**Recommended:**  
Concrete,  
Tarmac,  
Paving Flags

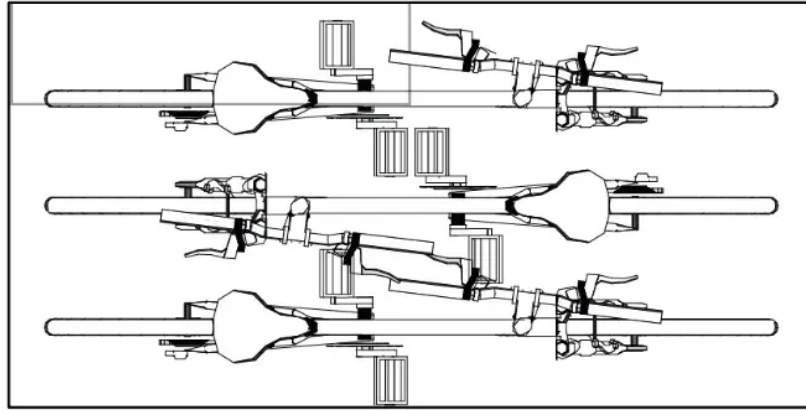
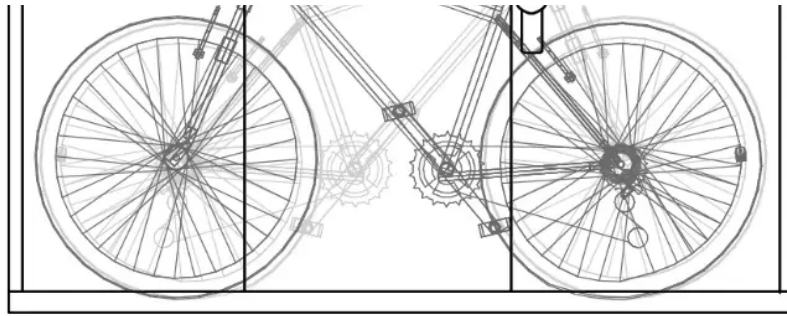


### ANNEXE (HIGH SECURITY) BIKE SHED x3 EXAMPLE CAPACITY

**Bike Model:**  
Indi ATB2  
Overall length  
approx. 1680mm  
**Capacity:**  
Up to 3  
bikes  
**Shelving:**  
Half and full

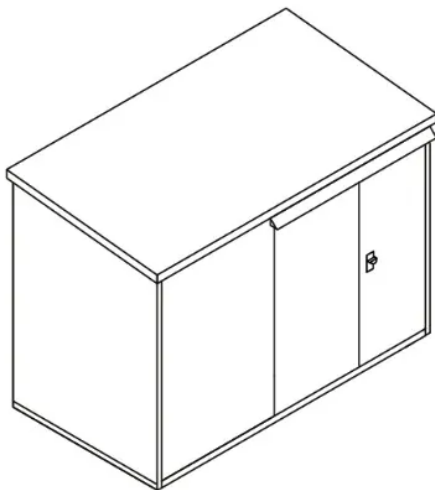


width shelves available. Please check seat/handle bar height before ordering.

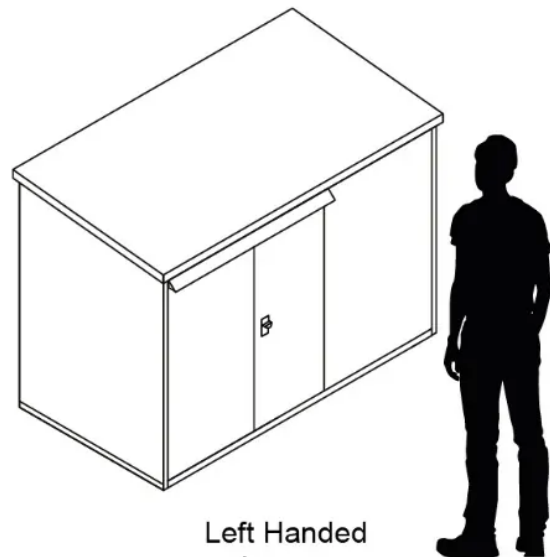


PLEASE CHECK MEASUREMENTS & BIKES BEFORE ORDERING

### ANNEXE (HIGH SECURITY) BIKE SHED x3 DOOR HANDING



Right Handed  
Annexe



Left Handed  
Annexe

The handing of your shed is based on viewing from the front and can be changed during installation. Handing does not need to be specified at time of order.

\*ALL MEASUREMENTS ARE APPROXIMATE

