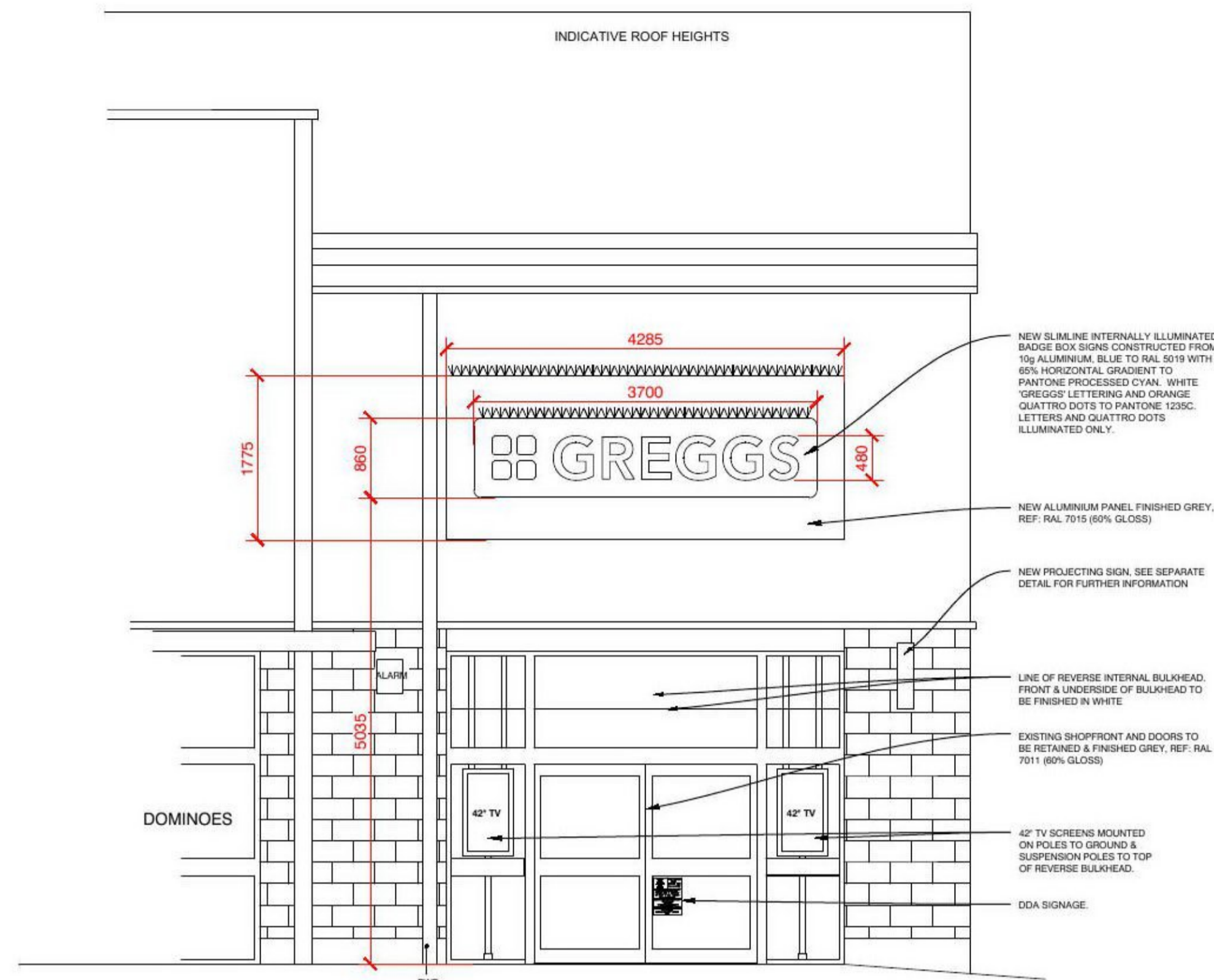
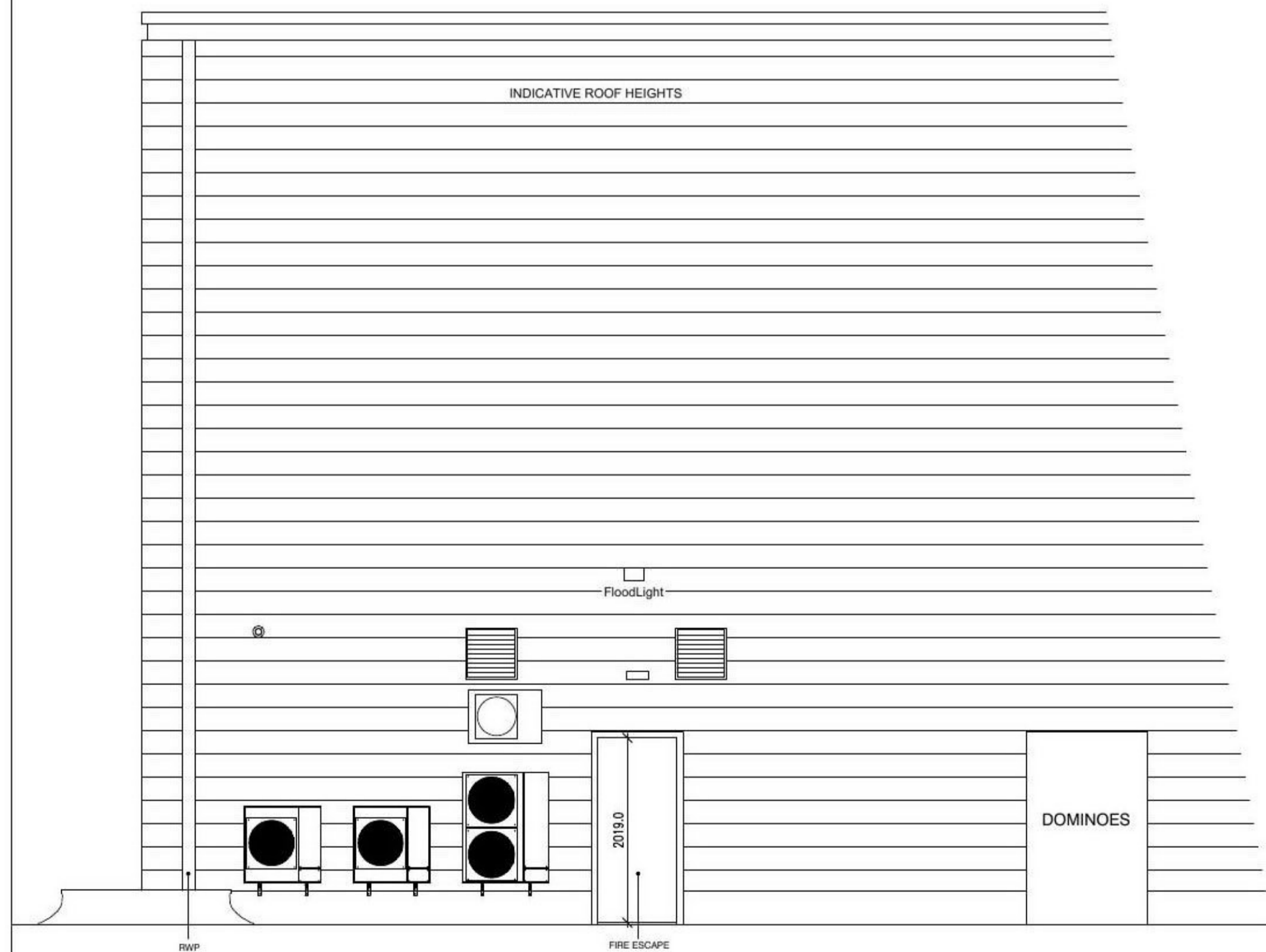
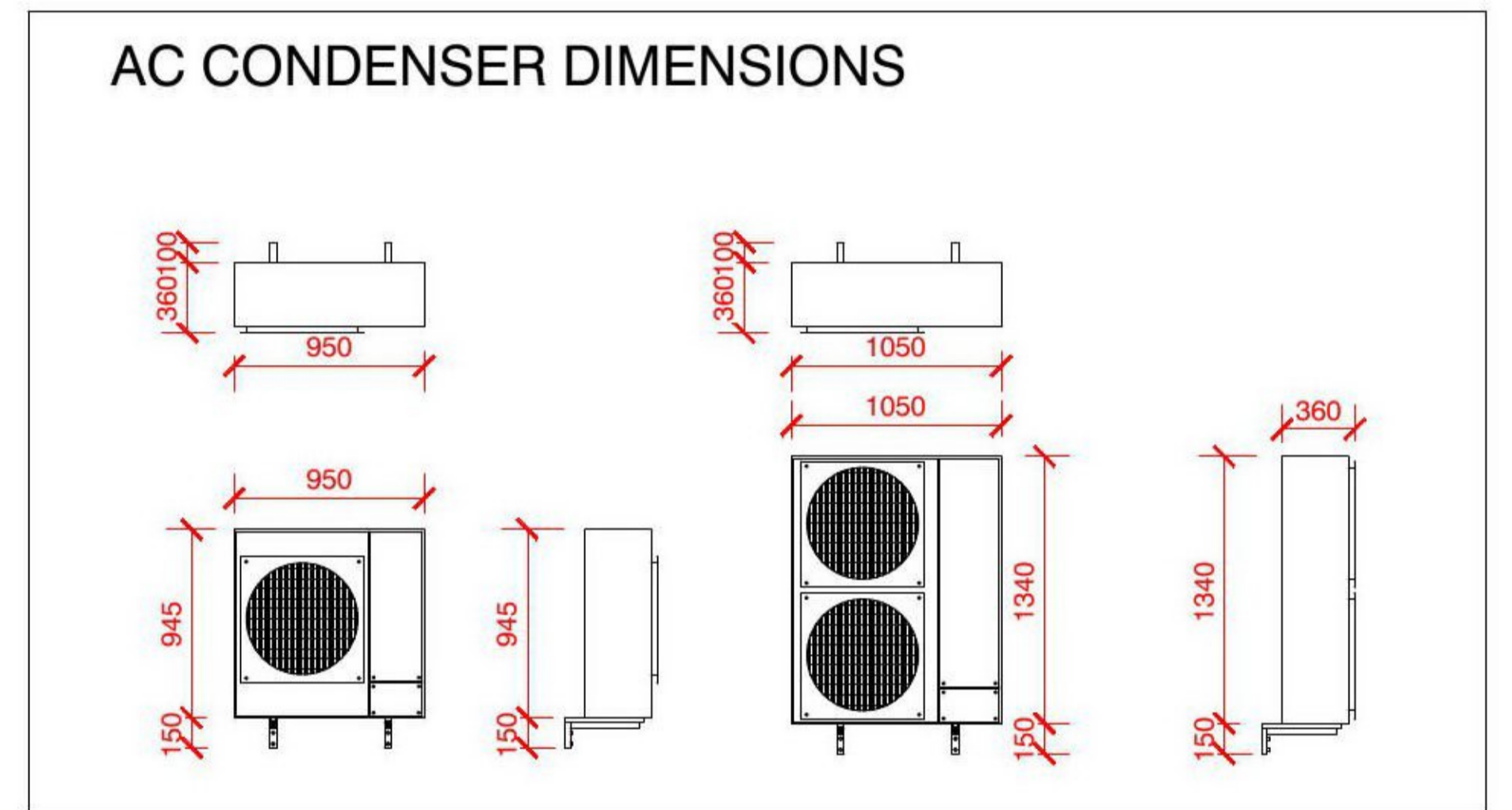
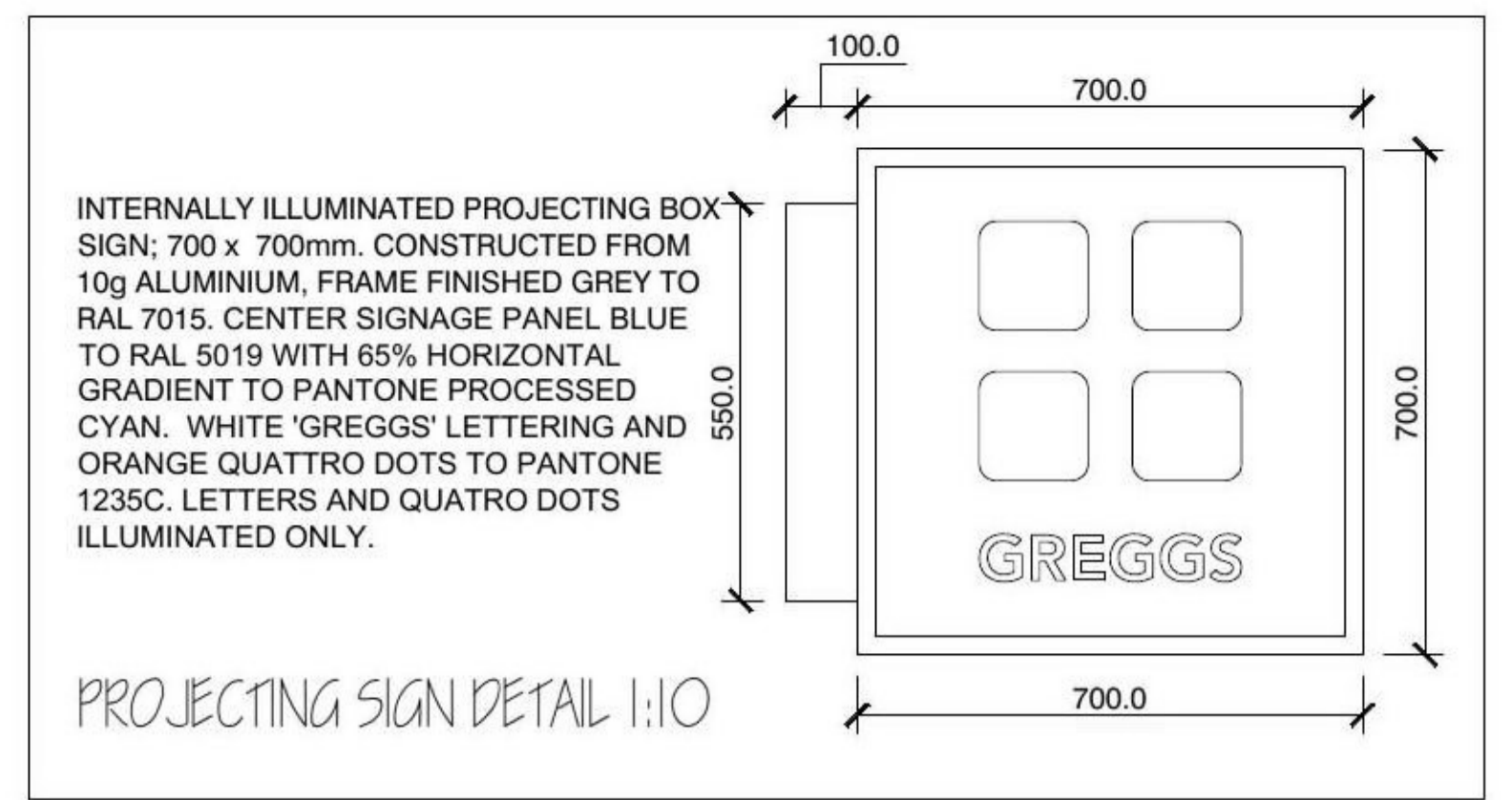


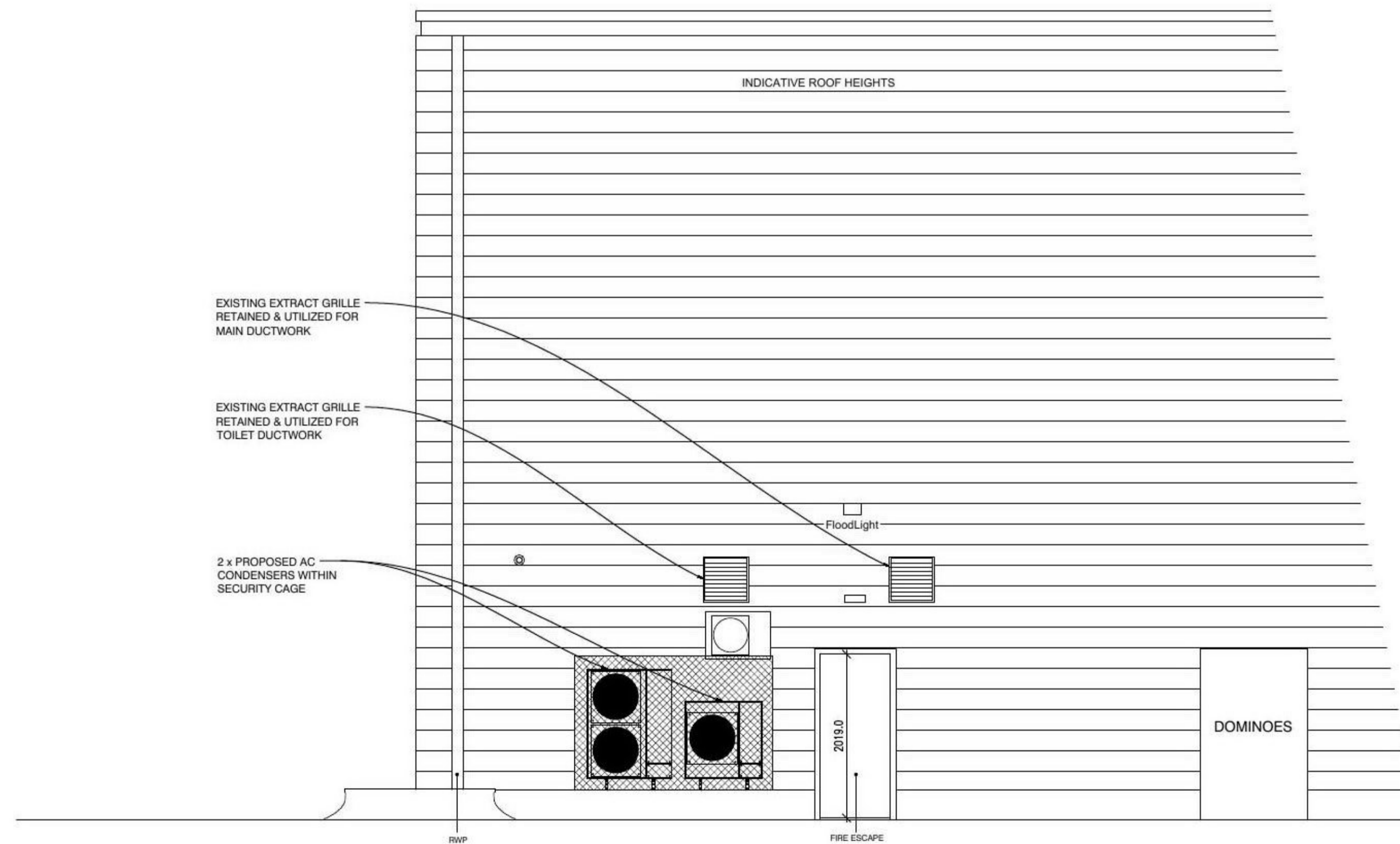
EXISTING ELEVATION A-A



PROPOSED ELEVATION A-A



EXISTING ELEVATION C-C



PROPOSED ELEVATION C-C

REV	DESCRIPTION	DATE	NAME
GREGGS Plc (SOUTH EAST) 87 MILLMARSH LANE ENFIELD MIDDLESEX EN3 7XJ			
Shop S Number & Name S5721 HARWICH GATEWAY RETAIL PARK			
Title PROPOSED PLANNING & ADVERTS 04			
Site Address UNIT 1A HARWICH GATEWAY RETAIL PARK, PARKESTON BYPASS, HARWICH, CO12 4EN			
Gross Building Area 167 Sq m		Gross Sales Area 80 Sq m	
Drawing No. RSOE/S5721			Rev.
Date 29.06.21		Scale 1:50 @ A1	
Drawn by TS	Scale Bar		
Issued 29-Jun-21	0 500 1000 2000		