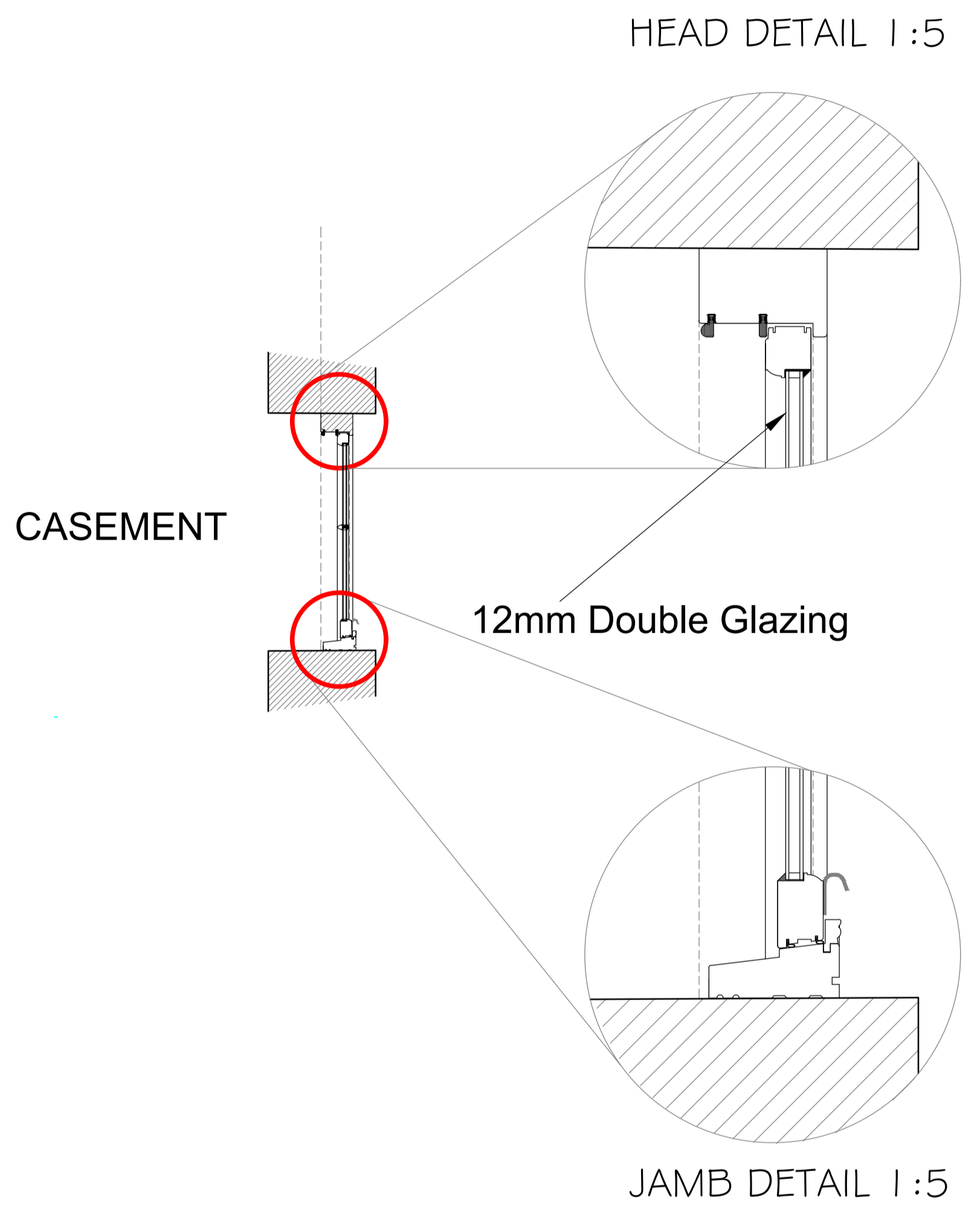
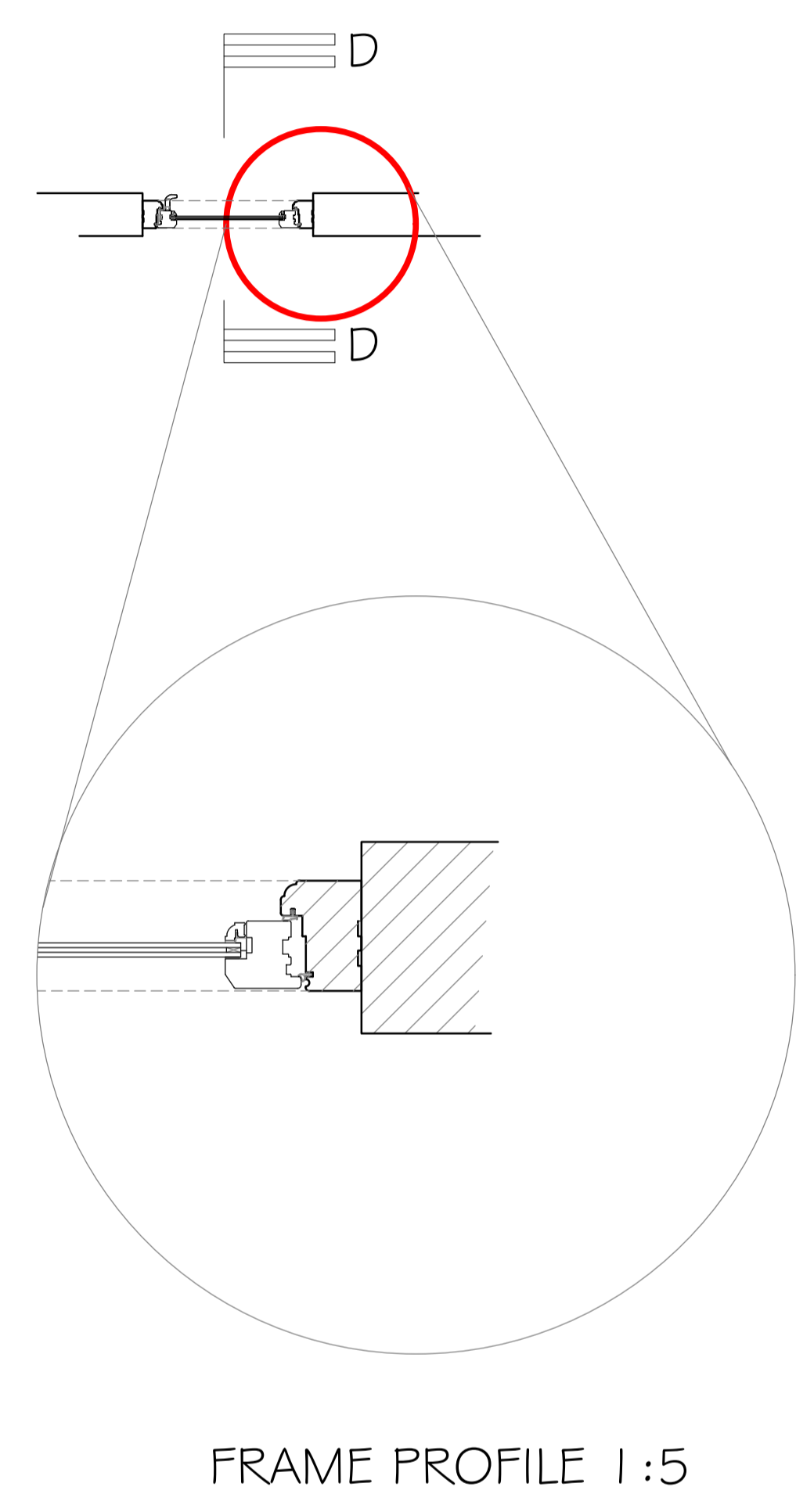


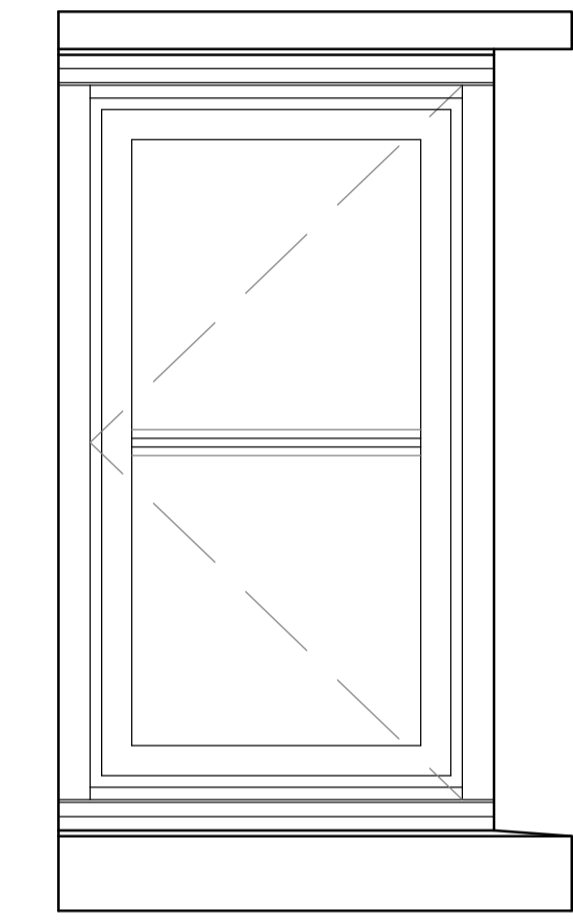
IMPORTANT NOTES:
 Any discrepancies must be reported to ARA Architecture before proceeding.
 Figured dimensions only are to be worked from.
 This drawing remains the copyright of ARA Architecture.
 This drawing is supplied in order to gain Planning Permission and Building Regulations Approval only and is not to be used as a working drawing unless the Builder or Owner verifies the accuracy of the drawings by checking all dimensions, details, angles and notes on site before work commences or ordering any materials.
 The Owner is to check his own deeds to verify that no restrictions or covenants exist to prevent building.
DO NOT SCALE OFF THIS DRAWING



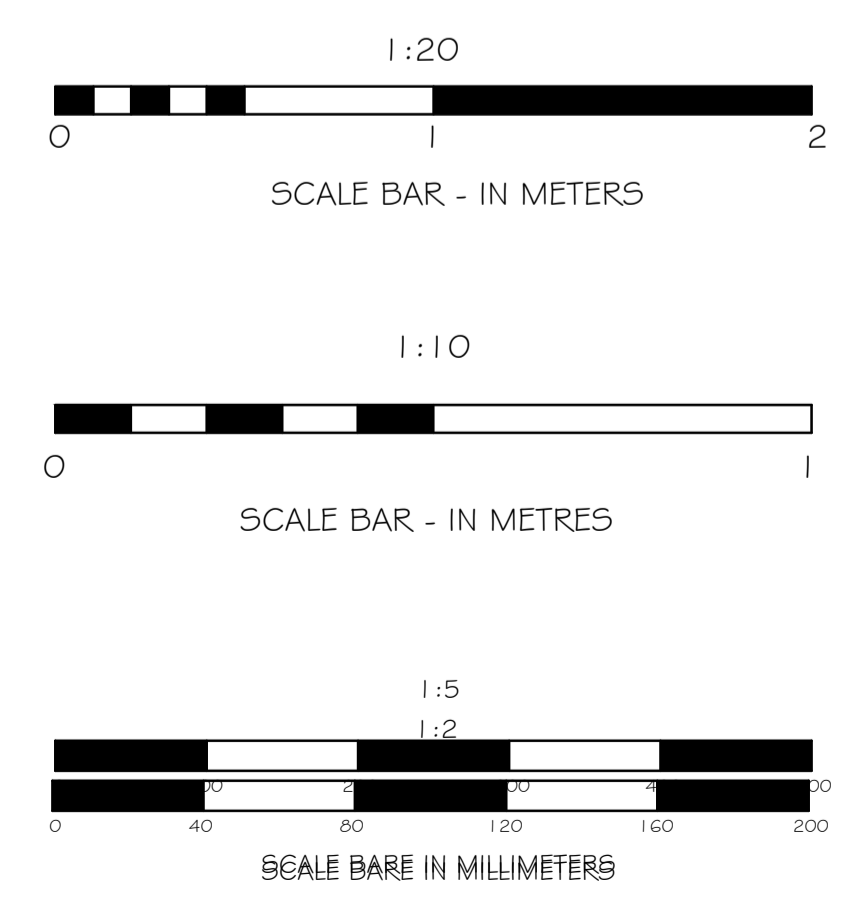
PROPOSED TIMBER SASH WINDOW DETAIL SECTION A-A
 1:20



PROPOSED TIMBER SASH WINDOW
 DETAIL CROSS SECTION 1:20



PROPOSED TIMBER SASH WINDOW
 ELEVATION 1:10



project
 REPLACEMENT WINDOW AT
 5A FORTFIELD TERRACE,
 SIDMOUTH
 EX10 8NT

drawing	
PROPOSED WINDOW AND RAIL DETAILS	
scale 1:2 @ A1	drawn
date April 2020	checked
drawing no. 8092-202	rev

ara
 architecture
 39 Rolle Street, Exmouth, Devon, EX8 2SN
 tel: (01395) 271619 fax: (01395) 270386
 e-mail: info@ara-architecture.co.uk