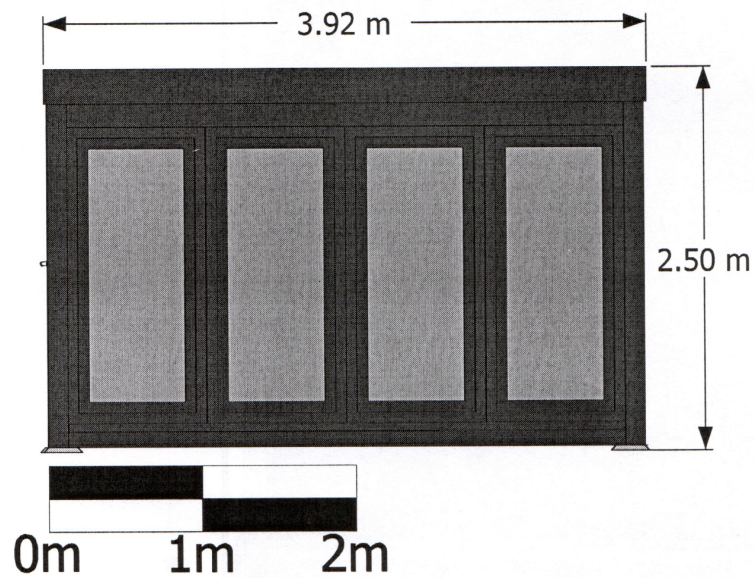


BOOTHS GARDEN STUDIOS

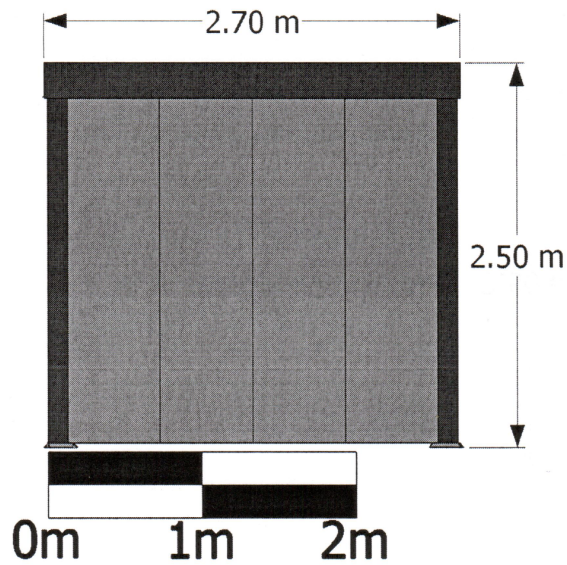
Front Elevation
SCALE 1:50





BOOTHSGARDENSTUDIOS

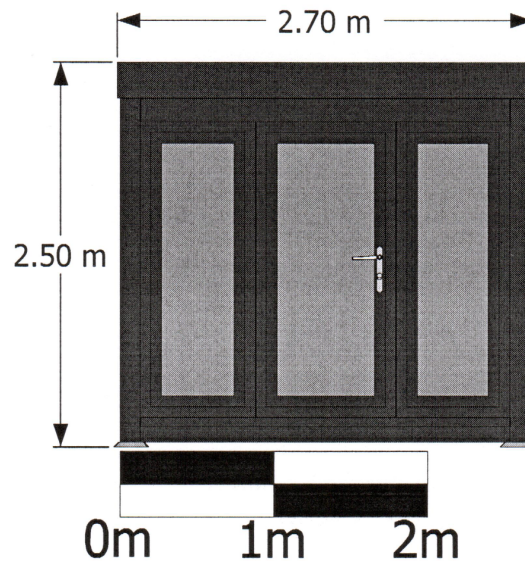
Side Elevation - Right
SCALE 1:50





BOOTHSGARDENSTUDIOS

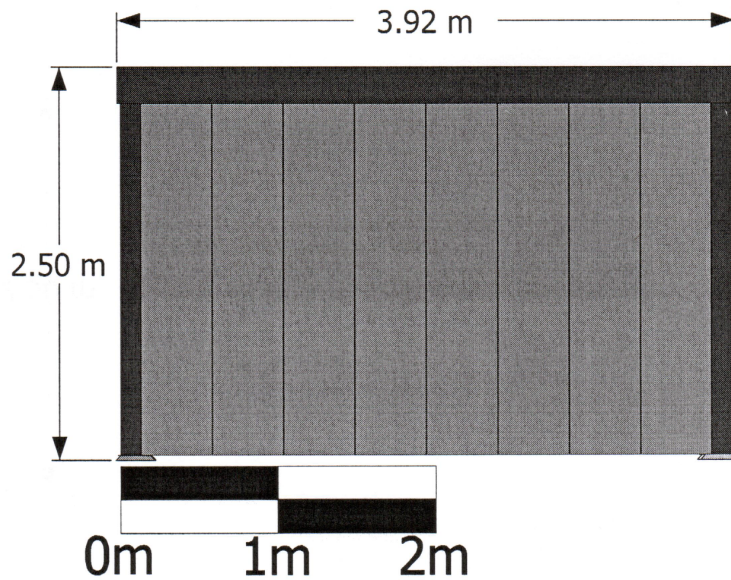
Side Elevation - Left
SCALE 1:50





BOOTHS GARDEN STUDIOS

Back Elevation
SCALE 1:50





BOOTHSGARDENSTUDIOS

Floor Plan
SCALE 1:50

