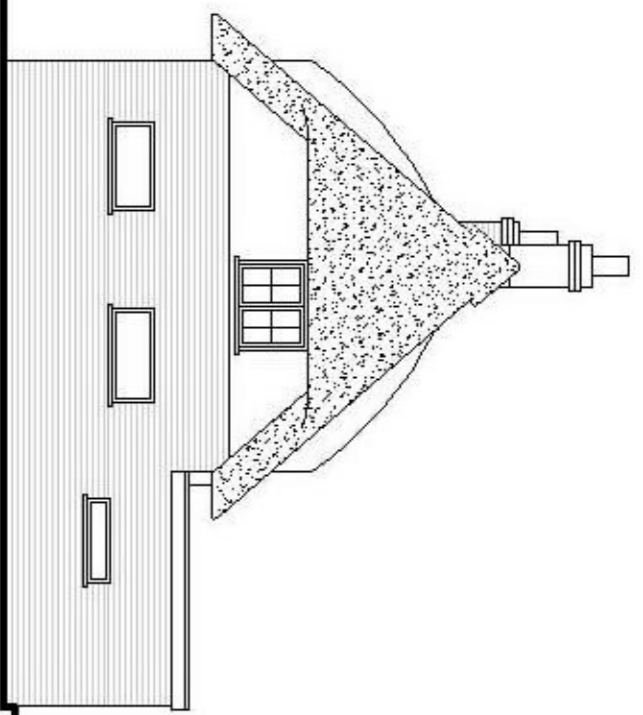
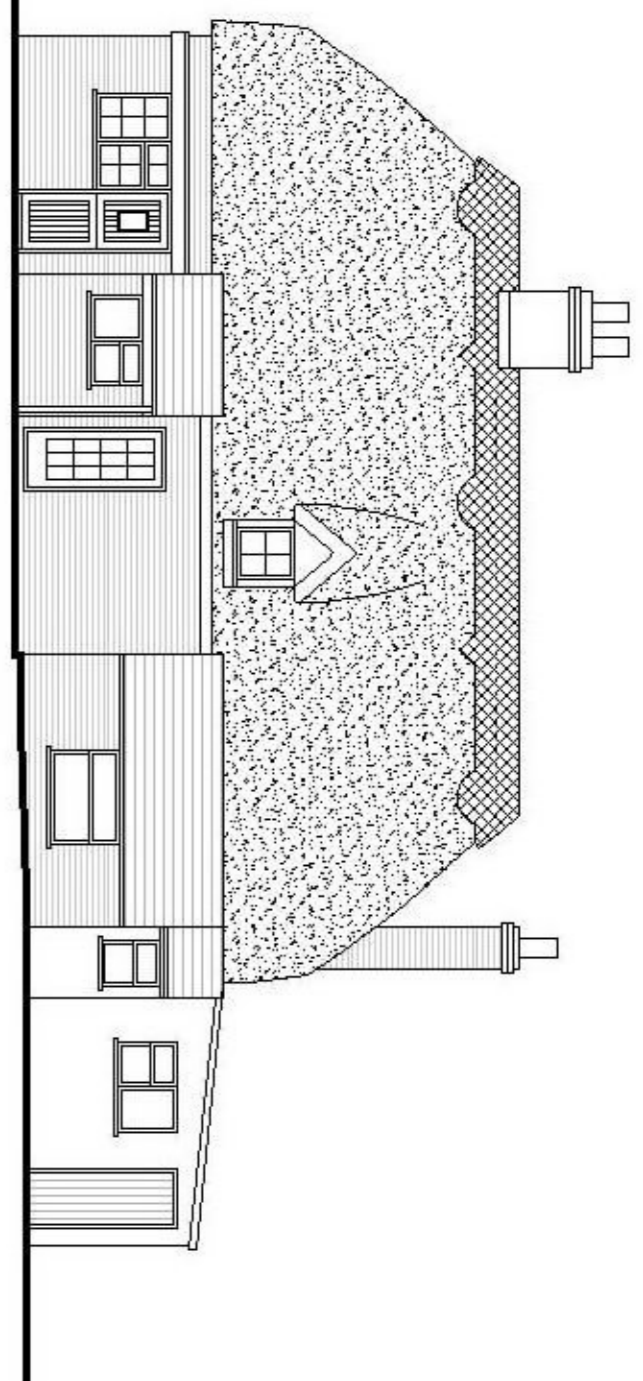


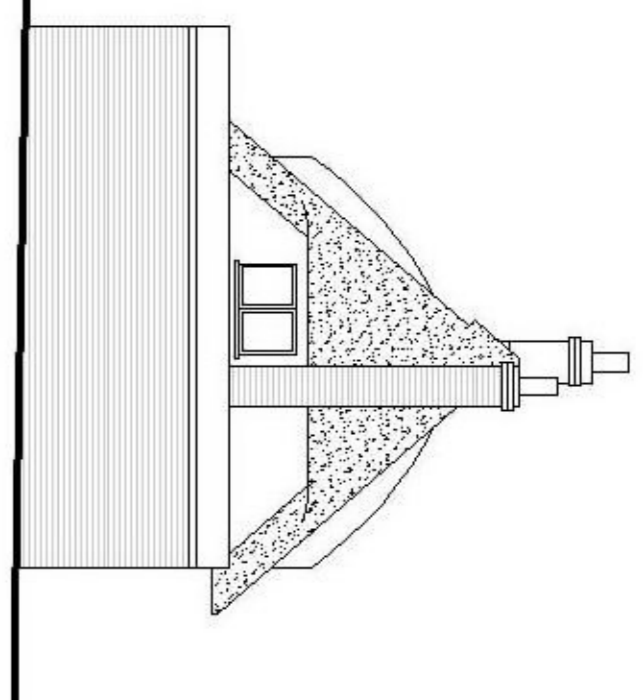
EXISTING FRONT ELEVATION
SCALE 1:100



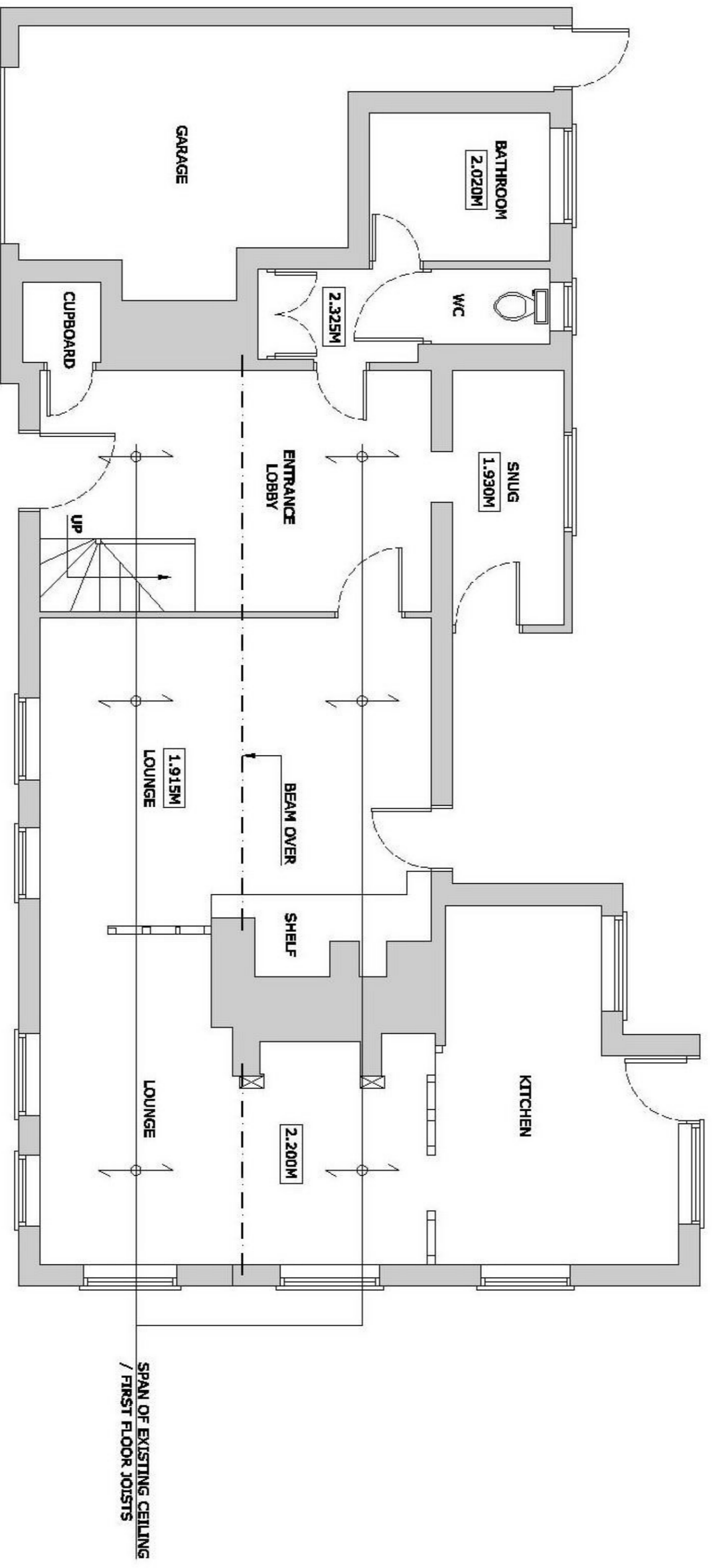
EXISTING RIGHT HAND ELEVATION
SCALE 1:100



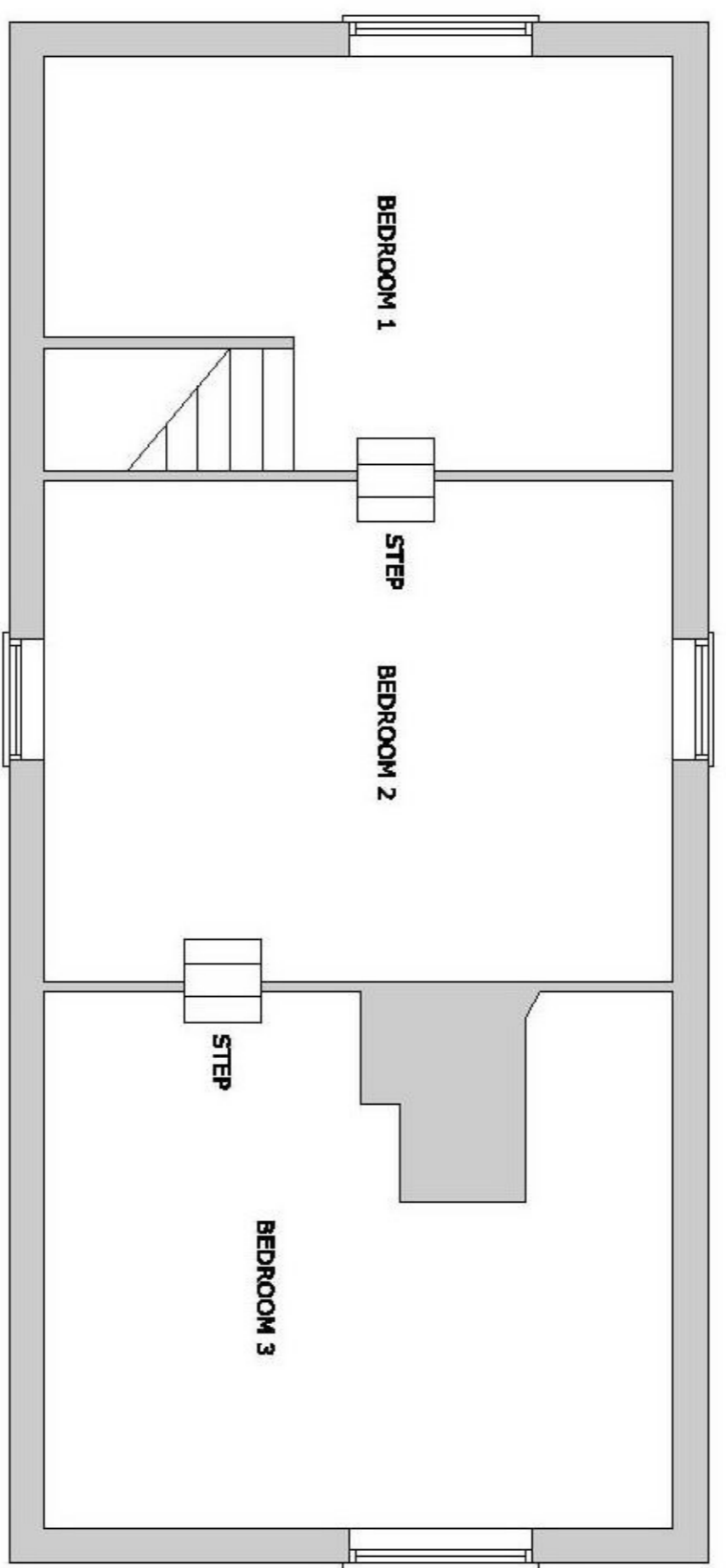
EXISTING REAR ELEVATION
SCALE 1:100



EXISTING LEFT HAND ELEVATION
SCALE 1:100



EXISTING GROUND FLOOR PLAN
SCALE 1:50



EXISTING FIRST FLOOR PLAN
SCALE 1:50

REV	DATE	DESCRIPTION	DRAWN	CHECK

Project THE THATCH COTTAGE WIX ROAD BRADFELD CO11 2UX	Title EXISTING PLANS & ELEVATIONS (PRIVATE WORKS)	Client MR & MRS DORAN	Drawn J. BAKER Checked R. WINDLER Approved	Date MAY 2021 Scale AS SHOWN @ A1	This drawing is to be read in conjunction with all other Designer's drawings and all project information is to be reported to the Contract Administrator immediately. 	 Richard Jackson Building Consultants 101 The Colchester Centre, Colchester, Essex, CO1 1JH 2 Elm Street, Colchester, Essex, CO1 1JH Tel: 0206 200 0000, Fax: 0206 200 0001, Email: info@rjbc.co.uk www.rjbc.co.uk	Drawing No. 53404/B/100 Drawing Status <input checked="" type="checkbox"/> TENDER <input type="checkbox"/> APPROVAL <input type="checkbox"/> CONSTRUCTION <input type="checkbox"/> AS CONSTRUCTED	Revision DRAWN: CJKO
--	--	---------------------------------	---	--	---	---	---	--------------------------------