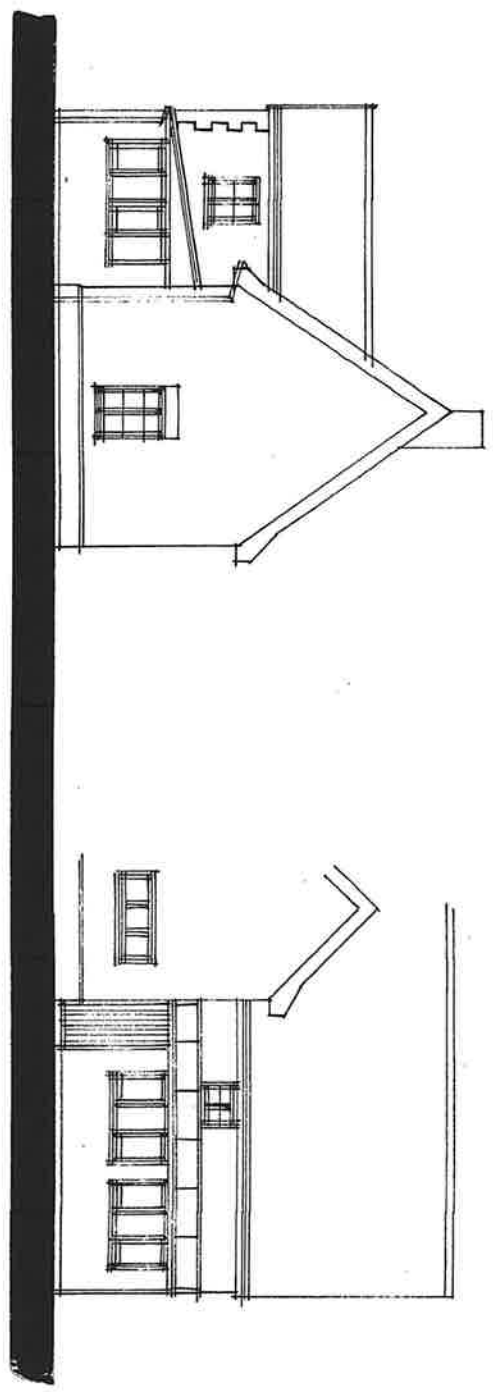
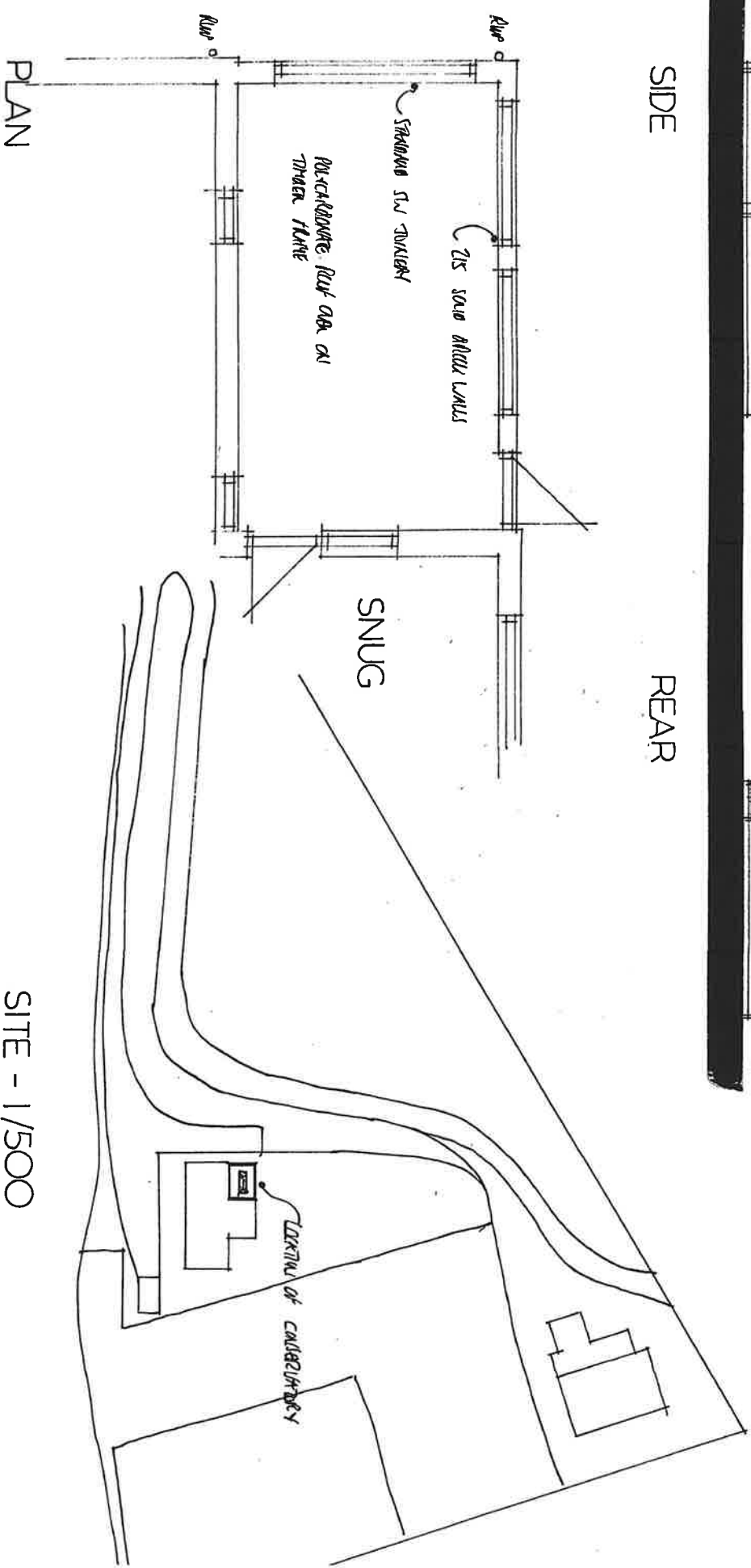


**EXISTING**



SIDE

REAR



PLAN

SITE - 1/500